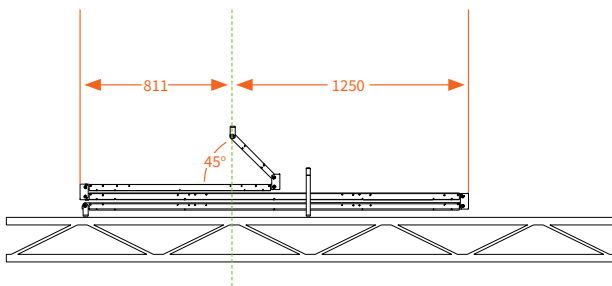
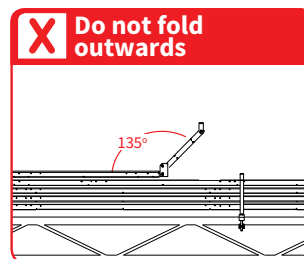
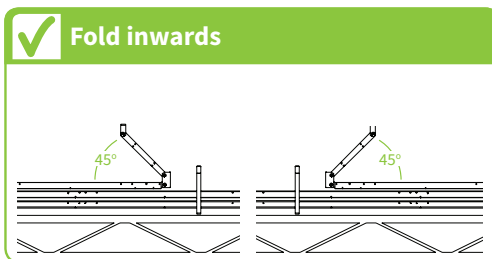
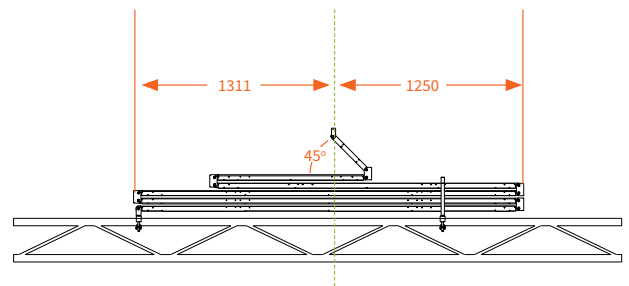


## determine mounting point

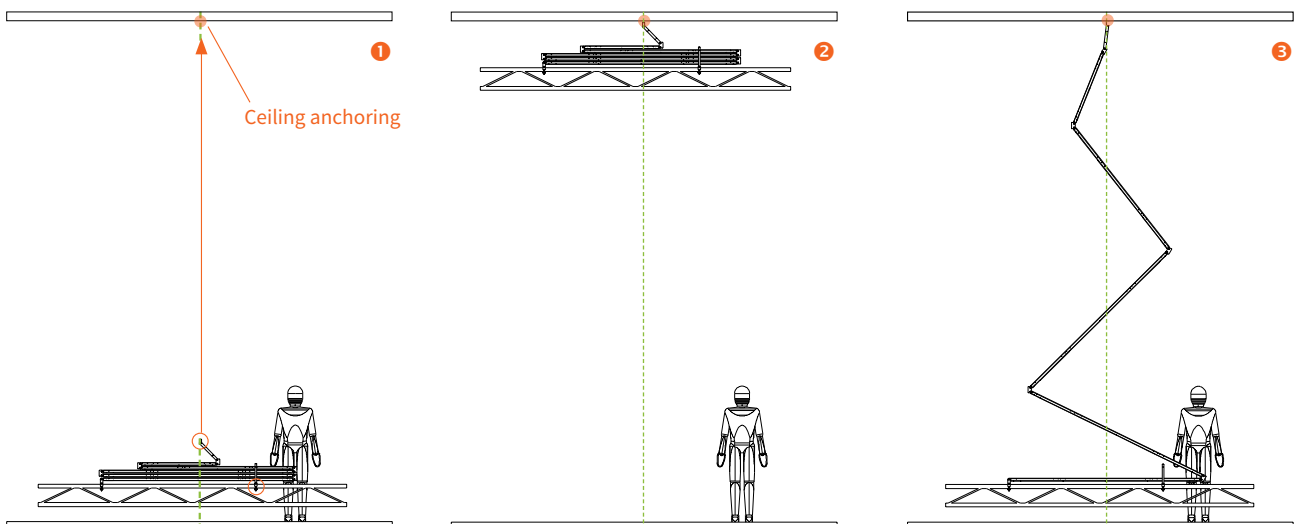
Cable guide compact base 2 mtr



Cable guide compact base 2,5 mtr



## assembly



## Periodical check:

*Periodical checks should be done at least every 6 months or after 200 hoisting / lowering movements of the system.*

**Hinges:** Check whether all hinge bolts are still in their correct position. **Make sure** that at least 3 – 4 mm thread length sticks out of the nuts. When you find a nut with a thread length shorter than 3 – 2 mm, tighten this nut and immediately inform the supplier.

Make sure that you **NEVER tighten the bolt-nut too much**. The bolt-nut should always be able to rotate freely. Check whether the bolt-nut can be rotated easily with a key.

**Cables:** Check the cables for wear. Check whether they do not show any strange forms at their surface which might indicate internal distortion or something comparable.

### Situations that require immediate intervention by the supplier:

- Deformation / distortion of one or more of the metal parts of the cable guide.
- Loose nuts.
- Cables that tighten during use.
- Grit of cables and/or metal parts in/on the construction.

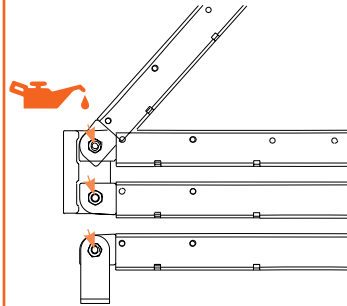
### Situations that require the immediate “shut-down” of the system:

- The missing of one or more nuts and/or bolts of the system.
- A distinct presence of wear grit around or close to one of the hinges.
- Worn cables.
- Strong deformation/distortion of one of the metal parts.

## Annual Maintenance:

*Maintenance should be done once a year. Maintenance consists of the necessary periodical checks and the lubrication of the system*

- 1: See all points under “periodical checks”.**
- 2: Lubrication**



The hinges are moving metal parts with a small space in between. These may be blown clean during the periodical maintenance. It is also recommended to spray a lubricating substance like oil, silicon spray or graphite

*Please inform your supplier immediately about any defects in the cable guide system.*

**! Maintenance and periodical checks may only be carried out by competent personnel.**