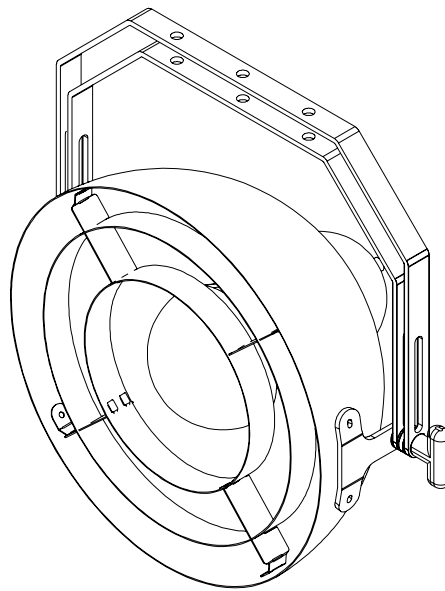


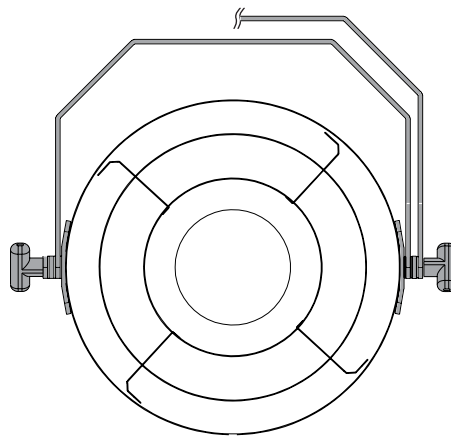
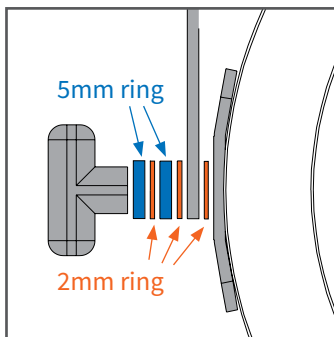
VINTAGE LUMINAIRE



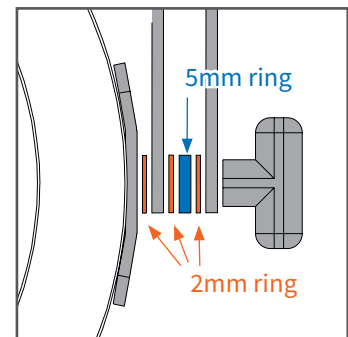
- Designed for indoor use only
- Double insulated
- CE
- Do not disposed in the normal waste

bracket assembly

single bracket assembly

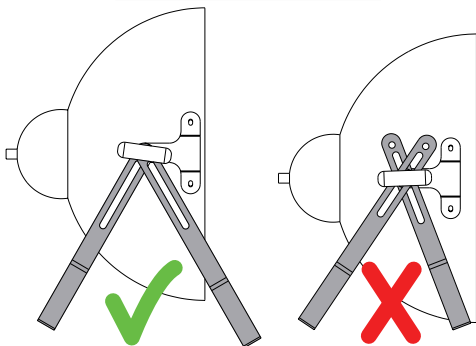


double bracket assembly

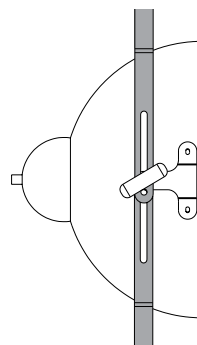


bracket use

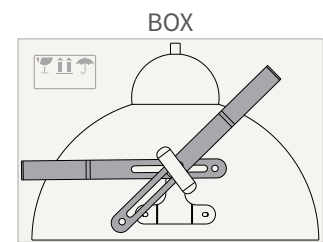
Use as floorstand



Use as hanging bracket

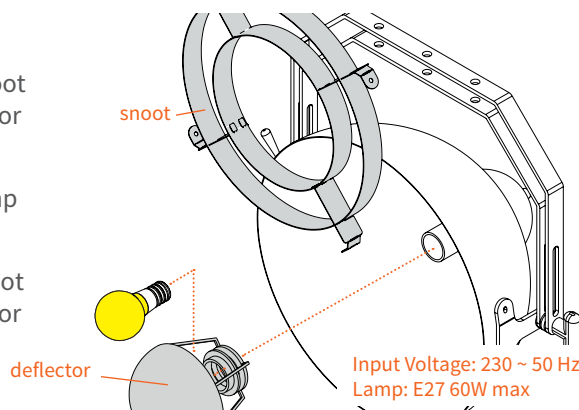


for storage



lamp replacement

- step 1
remove snoot and deflector
- step 2
replace lamp
- step 3
replace snoot and deflector



maintenance

Please do not use aggressive cleaning agents such as solvents and/or corrosive substances. Clean the product with a cloth and a soft detergent. After cleaning the product, dry it with a soft cloth. Check the product for worn, tearing and/or lost items. By wear and/or missing of the proper components this product should be immediately taken out of service. Consult your supplier for advise.

Repair / maintenance is only permitted by a qualified person. In case of doubt, consult your supplier.