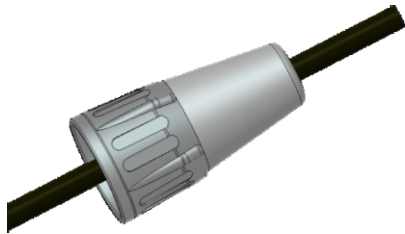




ASSEMBLY INSTRUCTION

RC*M | XLR Male Finger Groove Cable Connector

Ⓐ



Ⓐ Slide the boot onto the cable.

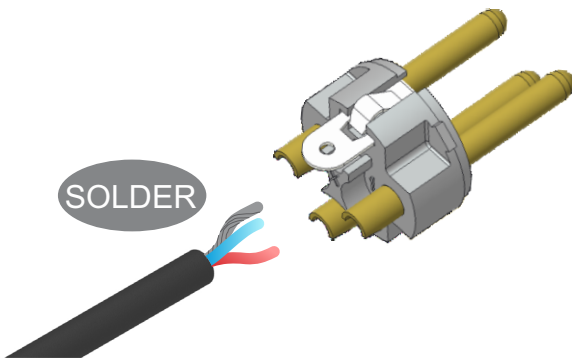
Cable O.D.: 4.0 - 8.0 mm
[0.16- 0.32"]

Ⓑ



Ⓑ Prepare cable as shown.

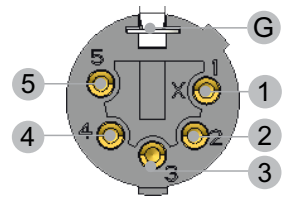
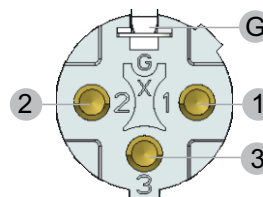
Ⓒ



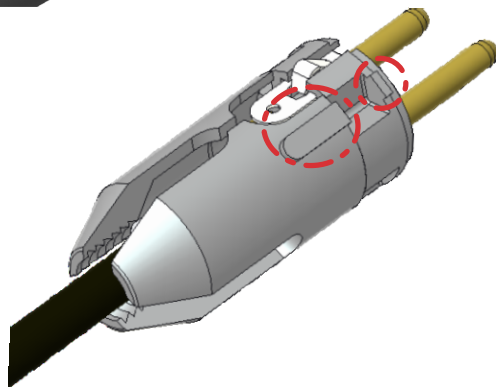
Ⓒ Insert wires into terminals and solder them.

Wiring : 3 pole

5 pole



Ⓓ



Ⓓ Put chuck onto the cable.

Attention: Pay attention to the guiding key

XLR Finger Groove Cable Connectors:
Find more details on
www.rean-connectors.com

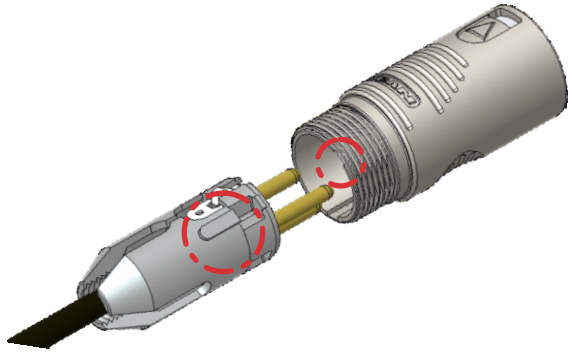


Neutrik AG	LI	T: +423 / 237 24 24	F: +423/232 53 93
Neutrik USA Inc.	USA	T: +1 704 / 972 3050	F: +1 704/438 9202
Neutrik (UK) Ltd.	UK	T: +44 1983 / 811 441	F: +44 1983/811 439
Neutrik Vertriebs GmbH	DE/NL/AT/DK	T: +49 8131 / 280 890	F: +49 8131/280 830

Neutrik France	FR	T: +33 1/4131 6750	F: +33 1/4131 0511
Neutrik Tokyo Ltd.	JP	T: +81 3/3663 4733	F: +81 3/3663 4796
Neutrik Hong Kong Ltd.	HK	T: +852/2687 6055	F: +852/2687 6052
Neutrik Trading Ltd.	CN	T: +0574/8825 0833	F: +0574/8826 5000

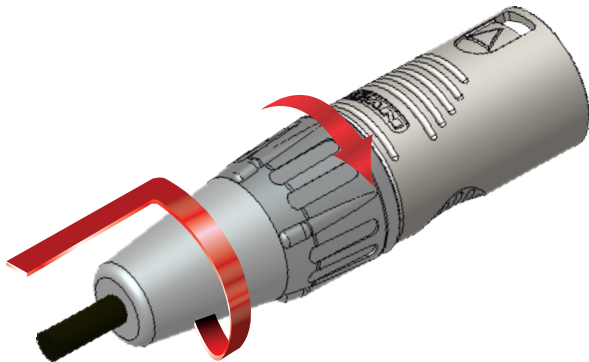
Draft. Nr.: NCN 002 | Update: 2021-02-24 | Data subject to change without prior notice. © 2021 REAN®. REAN® is registered trademark of Neutrik AG. ALL RIGHTS RESERVED.

Ⓔ



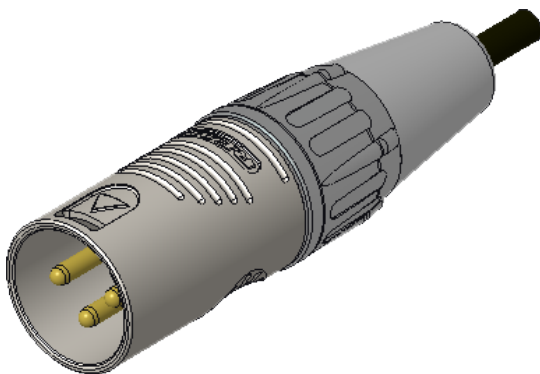
Ⓔ Slide chuck and insert into the housing.
Attention: Align the insert by positioning as shown

Ⓕ



Ⓕ Finish the assembly by turning the bushing onto the connector.

Ⓖ



Ⓖ Finish

XLR Finger Groove Cable Connectors:
 Find more details on
www.rean-connectors.com



Neutrik AG	LI	T: +423 / 237 24 24	F: +423/232 53 93	Neutrik France	FR	T: +33 1/4131 6750	F: +33 1/4131 0511
Neutrik USA Inc.	USA	T: +1 704 / 972 3050	F: +1 704/438 9202	Neutrik Tokyo Ltd.	JP	T: +81 3/3663 4733	F: +81 3/3663 4796
Neutrik (UK) Ltd.	UK	T: +44 1983 / 811 441	F: +44 1983/811 439	Neutrik Hong Kong Ltd.	HK	T: +852/2687 6055	F: +852/2687 6052
Neutrik Vertriebs GmbH	DE/NL/AT/DK	T: +49 8131 / 280 890	F: +49 8131/280 830	Neutrik Trading Ltd.	CN	T: +0574/8825 0833	F: +0574/8826 5000

Draft. Nr.: NCN 002 | Update: 2021-02-24 | Data subject to change without prior notice. © 2021 REAN®. REAN® is registered trademark of Neutrik AG. ALL RIGHTS RESERVED.