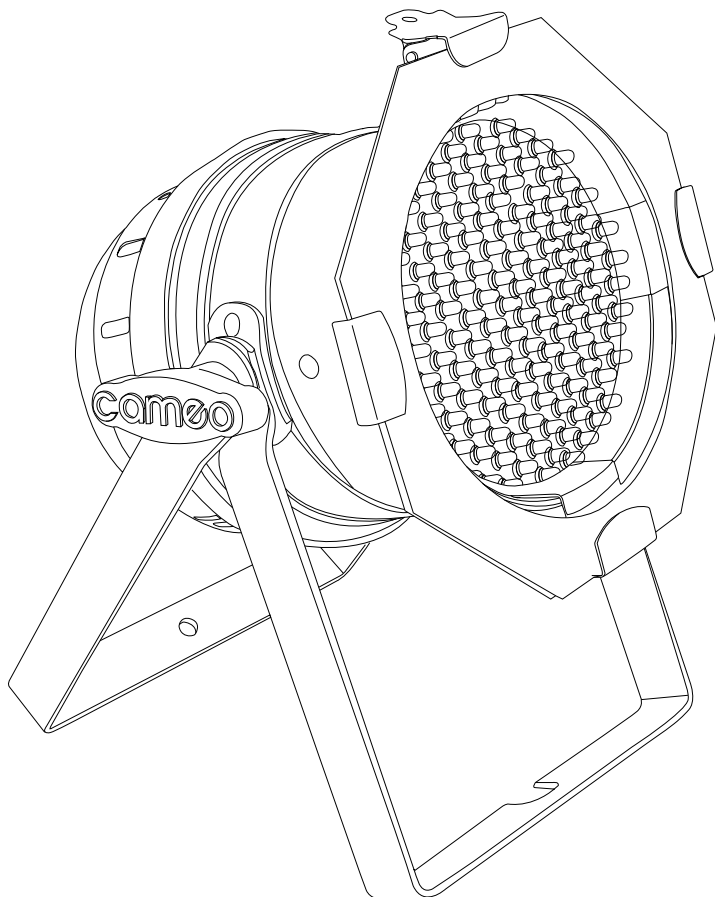


USER'S MANUAL
BEDIENUNGSANLEITUNG
MANUEL D'UTILISATION
MANUAL DE USUARIO
INSTRUKCJA OBSŁUGI
MANUALE D'USO

 **cameo**[®]
colours of light



PAR 56 / 64 CAN

10 MM LED CANS CLP56RGB10 / CLP64RGB10



ENGLISH

DEUTSCH

FRANCAIS

ESPAÑOL

POLSKI

ITALIANO

Thank you for choosing Cameo Lights!

We have designed this product to give you reliable operation over many years.

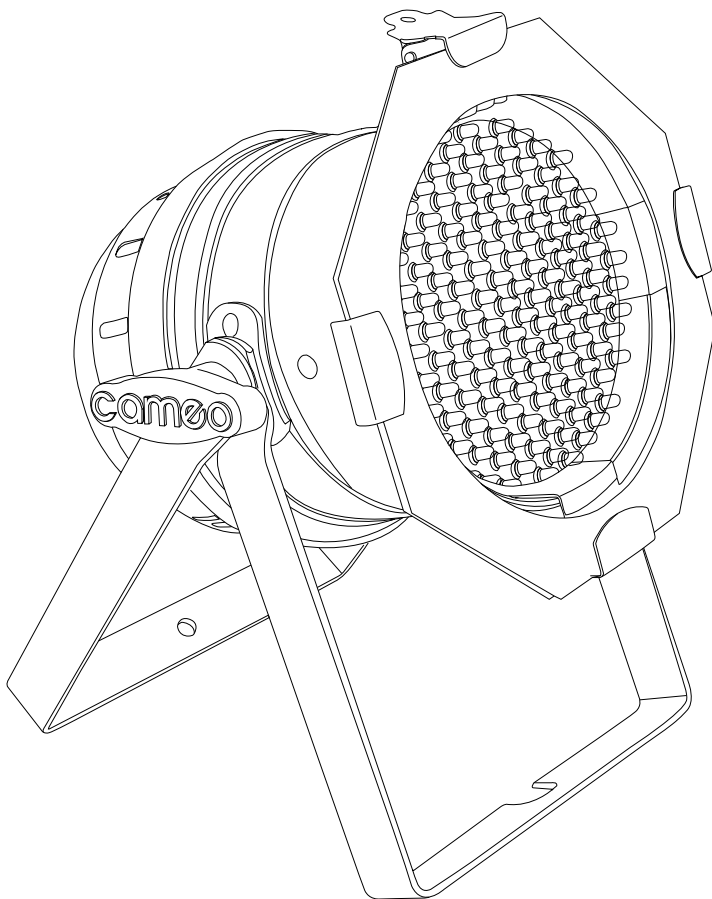
Please, take a few moments to read these instructions carefully, as we want you to enjoy your new Cameo Lights products quickly and to the fullest.

Further information about Cameo Lights check our website WWW.CAMEOLIGHT.COM



PAR **56 / 64** CAN

10 MM LED CANS CLP56RGB10 / CLP64RGB10



ENGLISH

DEUTSCH

FRANCAIS

ESPAÑOL

POLSKI

ITALIANO



PREVENTIVE MEASURES:

- Never let the AC cable come into contact with other cables. Handle the AC cable and all mains voltage connections with particular caution!
 - Never remove warning or informative labels from the equipment.
 - Do not open the equipment and do not modify the equipment.
 - Do not connect this equipment to a dimmer-pack.
 - Do not switch the equipment on and off in short intervals, as this will reduce the system's life.
 - Only use the equipment indoors.
 - Do not expose to flammable sources, liquids or gases.
 - Always disconnect the power from the mains when equipment is not in use or before cleaning! Only handle the AC cable by the plug. Never pull out the AC plug by pulling the AC cable.
 - Make sure that the available voltage is between 230v.
 - Make sure that the AC cable is never crimped or damaged. Check the equipment and the AC cable periodically.
 - If the equipment is dropped or damaged, disconnect the mains power supply immediately.
- Have a qualified engineer inspect the equipment before operating again.
- If the equipment has been exposed to drastic temperature fluctuation (e.g. after transportation), do not switch it on immediately. The arising condensation might damage the equipment. Leave the equipment switched off until it has reached room temperature.
 - If your product fails to function correctly, discontinue use immediately. Pack the unit securely (preferably in the original packing material), and return it to your Cameo dealer for service.
 - Only use fuses of same type and rating.
 - Repairs, servicing and power connection must only be carried out by a qualified technician. **THIS UNIT CONTAINS NO USER SERVICEABLE PARTS.**
 - Never use any accessories or modifications not authorized by the manufacturer of this unit.
 - Choose a location for operation where the unit is protected from vibration and where a fixed mounting position is provided. In case of overhead-mounting, follow appropriate rigging rules and your country's regulations for rigging safety.
 - Before plugging the AC cable in the wall outlet, check whether the AC mains voltage and frequency is the same as this product is specified for. Whenever your AC plug should not match the wall outlet, contact your dealer immediately.
 - If fluids have spilled into the unit or small parts have intruded the unit, immediately switch off the unit and hand it over to the authorized service for a security check.
 - Disconnect the unit from AC supply by pulling the AC plug out of the wall outlet or the unit's AC socket during a thunder-storm in order to avoid any damage on the unit due to AC voltage peaks.
 - In case of not correct function of this unit or damaged AC cable or other damaged parts, pull immediately the AC plug out of the wall outlet and hand the unit over to the authorized service for a security check.
 - To meet all aspects of functionality and security during maintenance work to be preformed on this unit, all parts should be replaced by genuine spare parts. Consequently, take care of your dealer or maintenance company to be authorized by the manufacturer.

ENGLISH

DEUTSCH

FRANCAIS

ESPAÑOL

POLSKI

ITALIANO



SAFETY:

ENGLISH

DEUTSCH

FRANCAIS

ESPAÑOL

POLSKI

ITALIANO

OPERATING DETERMINATIONS

If this equipment is operated in any other way, than those described in this manual, the product may suffer damage and the warranty becomes void.

Incorrect operation may lead to danger e.g.: short-circuit, burns, electric shocks, lamp failure etc.

Do not endanger your own safety and the safety of others!

Incorrect installation or use can cause serious damage to people and property.

WARNING!

- 1. Do not look into the beam from a distance of less than 40 cm (16 inches).**
- 2. Do not stare into the beam for extended periods at a short distance.**
- 3. Do not view the beam directly with optical instruments such as magnifiers.**



CAUTION:

To reduce the risk of electric shock, do not remove cover (or back). No user serviceable parts inside. Refer servicing to qualified personnel.



The lightning flash with arrowhead symbol within an equilateral triangle is intended to alert the user to the presence of uninsulated “dangerous voltage” within the product’s enclosure that may be of sufficient magnitude to constitute a risk to persons.



The exclamation mark within an equilateral triangle is intended to alert the user to the presence of important operating and maintenance (servicing) instructions in the literature accompanying the appliance.



INTRODUCTION:

CONTROL FEATURES

PAR 56 CAN

(CLP56RGB10PS - polished
CLP56RGB10BS - black)

- 4/6-channel DMX
- Blackout/Dimmer/Strobe
- Individual control of Red, Green and Blue LEDs

FEATURES

- 108 LEDs
- Ultra Bright 10mm RGB LEDs
- Sound control via internal microphone
- Colour change speed and strobe effect adjustable via control panel
- Multi-colour changes
- RGB Colour mixing
- Master/Slave functions
- Sound activated
- Rugged compact housing
- Double bracket
- Power consumption: 20 W
- Beam angle: 25 degrees
- Long life LEDs

CONTROL FEATURES

PAR 64 CAN

(CLP64RGB10PS - polished
CLP64RGB10BS - black)

- 4/6-channel DMX
- Blackout/Dimmer/Strobe
- Individual control of Red, Green and Blue LEDs

FEATURES

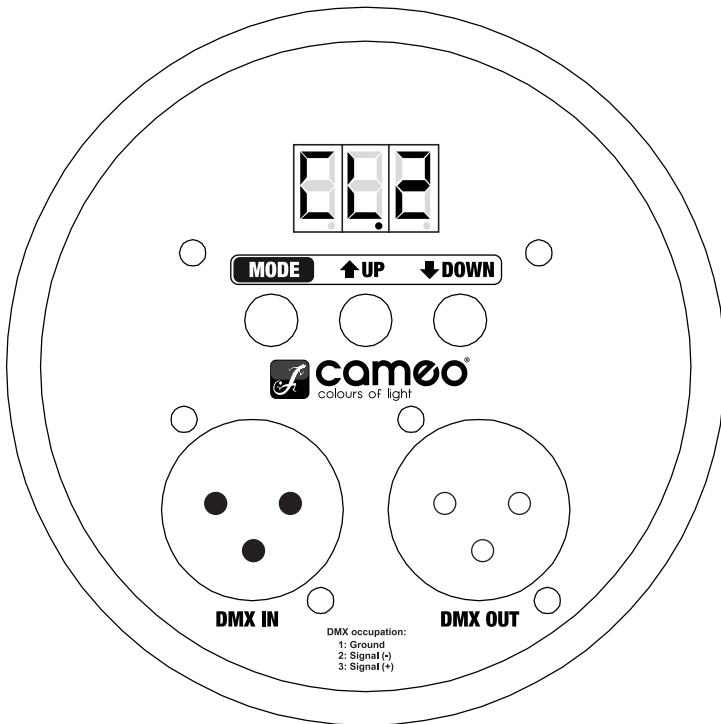
- 183 LEDs
- Ultra Bright 10mm RGB LEDs
- Sound control via internal microphone
- Colour change speed and strobe effect adjustable via control panel
- Multi-colour changes
- RGB Colour mixing
- Master/Slave functions
- Sound activated
- Rugged compact housing
- Double bracket
- Power consumption: 30 W
- Beam angle: 25 degrees
- Long life LEDs

OPERATING INSTRUCTIONS

The Cameo PAR LED CAN is a DMX-512 controllable, full RGB colour mixing spot made up of high efficiency and super bright 10 mm LED's. There are three colour groups (red, green and blue) whose intensity can be controlled individually allowing the creation of an unlimited range of colours. The Cameo LED light will operate in Stand-alone, Master/Slave, Sound activated and via DMX-512 control.



BACK PANEL:



ENGLISH

DEUTSCH

FRANCAIS

ESPAÑOL

POLSKI

ITALIANO



MODE SELECTION:

STATIC COLOUR MODE:

Press the mode button and use the up and down buttons to select one of the 7 desired colours. 1, Red 2, Green 3, Blue 4, Yellow 5, Cyan 6, Purple 7 White



COLOUR CHANGING MODE

Press the mode button to select the Colour Change programme. The unit will then run in Colour change mode. Press the up and down buttons to select the colour change speed from 0-99.



COLOUR FADING MODE

Press the mode button to select Fade mode. The unit will then run in colour fade mode. Press the up and down buttons to select the fade speed from 0-99.



AUTO RUNNING MODE

Press the mode button to select Auto mode. The unit will then run automatically through all of the built-in programmes. The run speed can be pre-set via the speed of the colour change and colour fade modes.



SOUND CONTROL MODE

Press the mode button to select sound mode. The unit will then run via the sound. Press the up and down buttons to adjust the sound sensitivity levels.



SLAVE MODE

Press the MODE button to enter SLAVE MODE.

Link the slave unit and the master unit via DMX cable. The slave unit will follow in sequence with the master unit.





DMX CONTROL MODE:

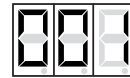
The Cameo PAR 56 CAN has two DMX modes to choose from, 4 channel or 6 Channel. To access the 4 Channel mode, press the mode button to show a red dot illuminated under the first digit of the DMX address. The unit is now ready for use in 4 channel mode



CHANNEL	VALUE	FUNCTION
CH1	000-255	RED (0-100%)
CH2	000-255	GREEN (0-100%)
CH3	000-255	BLUE (0-100%)
CH4	000-255	MASTER DIMMER (0-100%)



To access the 6 Channel mode, press the mode button to show NO red dot under the first digit of the DMX address. The unit is now ready for use in 6 channel mode



CHANNEL	VALUE	FUNCTION
CH1	000-255	RED (0-100%)
CH2	000-255	GREEN (0-100%)
CH3	000-255	BLUE (0-100%)
CH4	0-255	Master dimmer (0-100%)
CH5	0-16 17-255	No function Strobe/Speed Adjust/Sound Sensitivity Adjust
CH6	0-31 32-95 96-159 160-223 224-255	No function Colour mixing RGB colour change 7 colour change Sound activation

To change from 4 channel to 6 channel mode, press ONLY the mode button repeatedly until you return to the DMX control mode.

DAISY CHAIN CONNECTION

- 1) Connect the (male) 3 pin connector side of the DMX cable to the output (female) 3 pin connector of the first fixture
- 2) Connect the end of the cable coming from the first fixture which will have a (female) 3 pin connector to the input connector of the next fixture consisting of a (male) 3 pin connector. Proceed to connect from the output as stated above to the input of the following fixture and so on.

ENGLISH

DEUTSCH

FRANCAIS

ESPAÑOL

POLSKI

ITALIANO



DMX LINKING:

DMX-512

DMX (Digital Multiplex) is a universal protocol used as a form of communication between intelligent fixtures and controllers. A DMX controller sends DMX data instructions from the controller to the fixture. DMX data are sent as serial data that travel from fixture to fixture via the “DATA IN” and “DATA OUT” XLR terminals located on all DMX fixtures (most controllers only have a “DATA OUT” terminal).

DMX LINKING:

DMX is a language allowing all makes and models of different manufactures to be linked together and operate from a single controller, as long as all fixtures and the controller are DMX compliant. To ensure proper DMX data transmission, when using several DMX fixtures try to use the shortest cable path possible. The order in which fixtures are connected in a DMX line does not influence the DMX addressing. For example a fixture assigned to a DMX address of 1 may be placed anywhere in a DMX line, at the beginning, at the end, or anywhere in the middle. When a fixture is assigned a DMX address of 1, the DMX controller knows to send DATA assigned to address 1 to that unit, no matter where it is located in the DMX chain.



Please check out our comprehensive DMX cable choices out of our Adam Hall product lines 3 STAR, 4 STAR and 5 STAR

Also remember that DMX cable must be daisy chained and cannot be split.



DMX CABLES:

ENGLISH

DEUTSCH

FRANCAIS

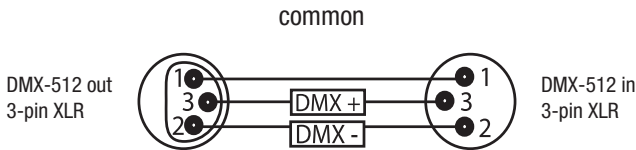
ESPAÑOL

POLSKI

ITALIANO

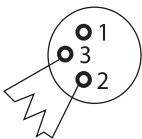
NOTICE:

- Be sure to follow figures 2 & 3 when making your own cables. Do not connect the cable's shield conductor to the ground lug or allow the shield conductor to come in contact with the XLR's outer casing. Grounding the shield could cause a short circuit and erratic behaviour.



SPECIAL NOTE: LINE TERMINATION:

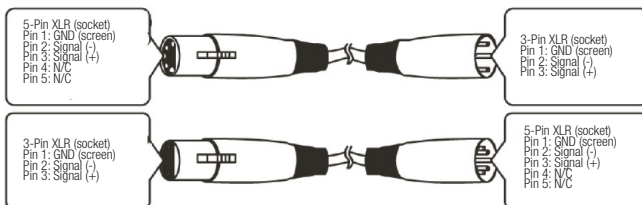
- When longer runs of cable are used, you may need to use a terminator on the last unit to avoid erratic behaviour.



Termination reduces signal transmission problems and interference. It is always advisable to connect a DMX terminator, (resistance 120 Ohm 1/4 W) between pin 2 (DMX-) and pin 3 (DMX+) of the last fixture.

Using a cable terminator (Art. No. K3DMXT3) will decrease the possibilities of erratic behaviour.

- Some manufactures use 5-pin XLR connectors for data transmission in place of 3-pin. 5-Pin XLR fixtures may be implemented in a 3-pin XLR DMX line. When inserting standard 5-pin XLR connectors in to a 3-pin line a cable adaptor must be used. The chart below details the correct cable conversion.





SPECIFICATIONS:

CLP 56 WEIGHT & DIMENSIONS (WITHOUT BRACKET)

Length	250 mm
Width	250 mm
Height	230 mm
Weight	2.1 kg
Beam angle	25 °

POWER

Power consumption	20 W
AC input	230 V / 50Hz

FUSE

Main	20 mm Glass 0.5 A Fast Blow
------	-----------------------------

CONTROL & PROGRAMMING

Data input	Locking 3-pin XLR male socket
Data output	Locking 3-pin XLR female socket
Protocols	DMX-512 USITT
DMX channels	4/6 selectable

CLP 64 WEIGHT & DIMENSIONS (WITHOUT BRACKET)

Length	270 mm
Width	270 mm
Height	263 mm
Weight	2.3 kg
Beam angle	25 °

POWER

Power consumption	30 W
AC input	230 V / 50Hz

FUSE

Main	20 mm Glass 0.5 A Fast Blow
------	-----------------------------

CONTROL & PROGRAMMING

Data input	Locking 3-pin XLR male socket
Data output	Locking 3-pin XLR female socket
Protocols	DMX-512 USITT
DMX channels	4/6 selectable

ENGLISH

DEUTSCH

FRANCAIS

ESPAÑOL

POLSKI

ITALIANO



MANUFACTURER'S DECLARATIONS:

LIMITED WARRANTY

This Limited Warranty applies to the Adam Hall, LD Systems, Defender, Palmer, Cameo and Eminence branded products.

The statutory warranty rights towards the seller are not affected by this guarantee. In fact, it justifies, additional independent warranty claims towards Adam Hall.

Adam Hall warrants that the Adam Hall product you have purchased from Adam Hall or from an Adam Hall authorized reseller is free from defects in materials or workmanship under normal use for a period of 2 or 5 years from the date of purchase.

The Limited Warranty Period starts on the date of purchase. In order to receive warranty services you are required to provide proof of the purchase date. Your dated sales or delivery receipt, showing the date of purchase, is your proof of the purchase date. Should products of the brands named above be in need of repair within the limited warranty period, you are entitled to warranty services according to the terms and conditions stated in this document.

This Limited Warranty extends only to the original purchaser of this Adam Hall branded product and is not transferable to anyone who obtains ownership of the Adam Hall branded product from the original purchaser. During the Limited Warranty Period, Adam Hall will repair or replace the defective component parts or the product. All component parts or hardware products removed under this Limited Warranty become the property of Adam Hall.

In the unlikely event that your Adam Hall product has a recurring failure, Adam Hall, at its discretion, may elect to provide you with a replacement unit of Adam Hall's choice that is at least equivalent to your Adam Hall branded product in hardware performance.

Adam Hall does not warrant that the operation of this product will be uninterrupted or error-free. Adam Hall is not responsible for damage that occurs as a result of your failure to follow the instructions included with the Adam Hall branded product.

This Limited Warranty does not apply,

- to wear parts (e.g. accumulator)
- to any product from which the serial number has been removed or that has been damaged or rendered defective as the result of an accident
- in case of, misuse, abuse, or other external causes
- by operation outside the usage parameters stated in the user's documentation shipped with the product
- by use of spare parts not manufactured or sold by Adam Hall
- by modification or service by anyone other than Adam Hall

These terms and conditions constitute the complete and exclusive warranty agreement between you and Adam Hall regarding the Adam Hall branded product you have purchased.

ENGLISH

DEUTSCH

FRANCAIS

ESPAÑOL

POLSKI

ITALIANO



MANUFACTURER'S DECLARATIONS:

LIMITATION OF LIABILITY

If your Adam Hall branded hardware product fails to work as warranted above, your sole and exclusive remedy shall be repair or replacement. Adam Hall's maximum liability under this limited warranty is expressly limited to the lesser of the price you have paid for the product or the cost of repair or replacement of any hardware components that malfunction in conditions of normal use.

Adam Hall is not liable for any damages caused by the product or the failure of the product, including any lost profits or savings or special, incidental, or consequential damages. Adam Hall is not liable for any claim made by a third party or made by you for a third party.

This limitation of liability applies whether damages are sought, or claims are made, under this Limited Warranty or as a tort claim (including negligence and strict product liability), a contract claim, or any other claim. This limitation of liability cannot be waived or amended by any person. This limitation of liability will be effective even if you have advised Adam Hall of an authorized representative of Adam Hall of the possibility of any such damages. This limitation of liability however, will not apply to claims for personal injury.

This Limited Warranty gives you specific legal rights. You may also have other rights that may vary from state to state or from country to country. You are advised to consult applicable state or country laws for a full determination of your rights.

REQUESTING WARRANTY-SERVICE

To request warranty service for the product, contact Adam Hall or the Adam Hall authorized reseller from which you purchased the product.

EC DECLARATION OF CONFORMITY

These devices meet the essential requirements and further relevant specifications of Directives 2004/108/EC (EMC) and 2006/95/EC (LVD). For more information, see www.adamhall.com.

CORRECT DISPOSAL OF THIS PRODUCT (ELECTRICAL WASTE)

(Applicable in the European Union and other European countries with separate collection systems)



This marking shown on the product or its literature, indicates that it should not be disposed with other household wastes at the end of its working life. To prevent possible harm to the environment or human health from uncontrolled waste disposal, please separate this from other types of wastes and recycle it responsibly to promote the sustainable reuse of material resources.

Household users should contact either the retailer where they purchased this product, or their local government office, for details on where and how they can recycle this item in an environmentally friendly manner.

Business users should contact their supplier and check the terms and conditions of the purchase contract. This product should not be mixed with other commercial wastes for disposal.



MANUFACTURER'S DECLARATIONS:

WEEE-DECLARATION



Your LD-Systems product was developed and manufactured with high quality materials and components which can be recycled and/or reused. This symbol indicates that electrical and electronic equipment must be disposed of separately from normal waste at the end of its operational lifetime.

Please dispose of this product by bringing it to your local collection point or recycling centre for such equipment. This will help to protect the environment in which we all live.

BATTERIES AND ACCUMULATORS



The supplied batteries or rechargeable batteries can be recycled. Please dispose of them as special waste or return them to your specialist dealer. In order to protect the environment, only dispose exhausted batteries.

ENGLISH

DEUTSCH

FRANCAIS

ESPAÑOL

POLSKI

ITALIANO

Adam Hall GmbH, all rights reserved. The technical data and the functional product characteristics can be subject to modifications. The photocopying, the translation, and all other forms of copying of fragments or of the integrality of this user's manual is prohibited.



ENGLISH

DEUTSCH

FRANCAIS

ESPAÑOL

POLSKI

ITALIANO

Wir freuen uns, dass Sie sich für ein Produkt von Cameo Light entschieden haben!

Dieses Gerät wurde unter hohen Qualitätsanforderungen entwickelt und gefertigt, um viele Jahre einen reibungslosen Betrieb zu gewährleisten.

Bitte lesen Sie diese Bedienungsanleitung sorgfältig, damit Sie Ihren neuen Scheinwerfer von Cameo Light schnell optimal einsetzen können.

Weitere Informationen über Cameo Light erhalten Sie auf unserer Website WWW.CAMEOLIGHT.COM.



ENGLISH

DEUTSCH

FRANCAIS

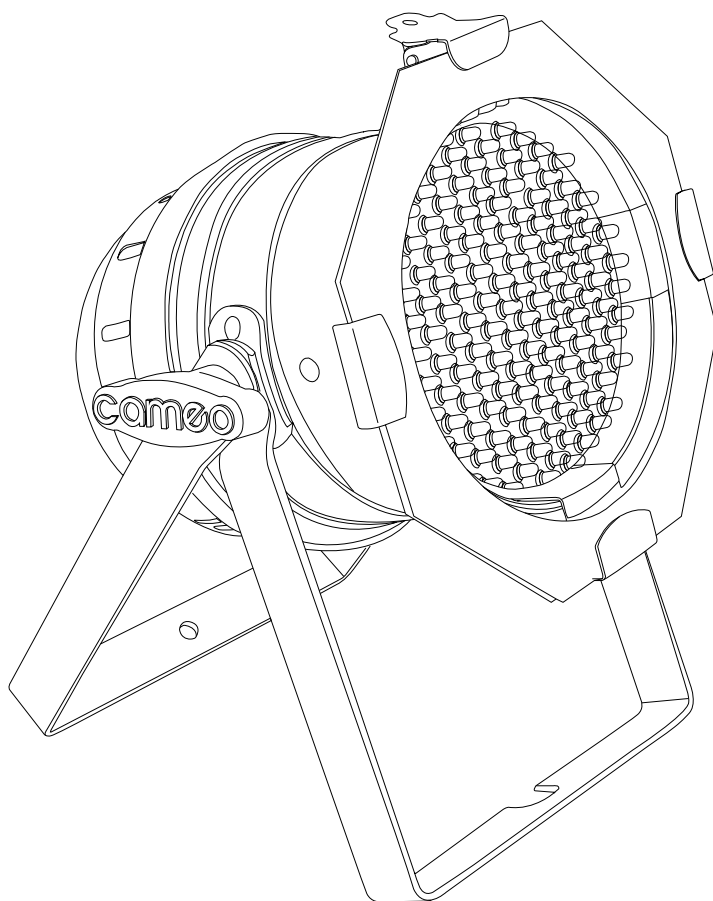
ESPAÑOL

POLSKI

ITALIANO

PAR **56 / 64** CAN

10 MM LED-STRAHLER CLP56RGB10 / CLP64RGB10





SICHERHEITSHINWEISE:

- Achten Sie darauf, dass das Netzkabel niemals in Kontakt mit anderen Kabeln kommt. Behandeln Sie das Netzkabel und alle stromführenden Verbindungen mit besonderer Vorsicht!
- Entfernen Sie niemals Warnhinweise oder andere Informationen vom Gerät.
- Öffnen Sie niemals das Gehäuse, und nehmen Sie keine Veränderungen am Gerät vor.
- Schließen Sie diesen Scheinwerfer nicht an eine Dimmer-Einheit an.
- Vermeiden Sie es, den Scheinwerfer in kurzen Abständen ein- und auszuschalten, da sich auf diese Weise die Lebensdauer verringert.
- Verwenden Sie das Gerät ausschließlich im Innenbereich.
- Setzen Sie das Gerät niemals brennbaren Materialien, Flüssigkeiten oder Gasen aus.
- Ziehen Sie stets den Netzstecker, wenn Sie das Gerät nicht benutzen oder wenn Sie es reinigen! Fassen Sie beim Ein- und Ausstecken der Netzzuleitung stets den Netzstecker an. Ziehen Sie den Netzstecker niemals durch Ziehen am Kabel aus der Steckdose.
- Vergewissern Sie sich, dass die Netzspannung bei 230 V.
- Achten Sie darauf, dass das Netzkabel niemals gequetscht oder beschädigt wird. Überprüfen Sie das Gerät und das Netzkabel in regelmäßigen Abständen.
- Ziehen Sie sofort den Netzstecker, wenn das Gerät heruntergefallen ist oder beschädigt wurde. Überlassen Sie die Überprüfung des Geräts grundsätzlich qualifizierten Technikern, bevor Sie es wieder in Betrieb nehmen.
- Schalten Sie das Gerät nicht sofort ein, wenn es starken Temperaturschwankungen ausgesetzt war (z.B. nach dem Transport). Das dabei entstehende Kondenswasser kann es unter Umständen beschädigen. Lassen Sie das Gerät so lange ausgeschaltet, bis es Zimmertemperatur erreicht hat.
- Schalten Sie das Gerät bei Funktionsstörungen sofort aus, verpacken es sorgfältig (vorzugsweise in der Originalverpackung) und übergeben es Ihrem Cameo-Fachhändler zur Überprüfung und/oder Reparatur.
- Ersetzen Sie Sicherungen ausschließlich durch Sicherungen gleichen Typs und gleichen Nennwerts.
- Überlassen Sie Reparaturen, Wartung und den Anschluss an das Stromnetz grundsätzlich qualifizierten Technikern. **IM INNEREN DES GERÄTS BEFINDEN SICH KEINE TEILE, DIE VOM BEDIENER REPARIERT ODER GEWARTET WERDEN KÖNNEN.**
- Verwenden Sie ausschließlich vom Hersteller freigegebenes Zubehör, und führen Sie niemals eigenmächtige Änderungen am Gerät durch.
- Wählen Sie die Betriebsumgebung stets so, dass das Gerät vor Vibrationen geschützt und fest montiert ist. Beachten Sie bei hängendem Betrieb (Überkopf-Montage) unbedingt die entsprechenden Rigging-Richtlinien und die Sicherheitsstandards Ihres Landes.
- Vergewissern Sie sich vor Anschluss des Geräts an das Stromnetz, dass die Spannung und die Netzfrequenz den Angaben auf dem Typenschild entsprechen. Falls der Netzstecker Ihres Geräts nicht zu der Netzsteckdose passt, wenden Sie sich sofort an den Hersteller.
- Wenn Flüssigkeiten oder Kleinteile in das Innere des Geräts gelangt sind, schalten Sie es sofort aus und übergeben es einem qualifizierten Servicetechniker zur Sicherheitsüberprüfung.
- Ziehen Sie während eines Gewitters stets den Netzstecker des Geräts aus der Wandsteckdose oder aus der Netzbuchse des Geräts selbst, um Beschädigungen durch Überspannung zu vermeiden.
- Falls das Gerät nicht korrekt funktioniert oder das Netzkabel oder andere Teile beschädigt wurden, ziehen Sie sofort den Netzstecker und übergeben das Gerät einem qualifizierten Servicetechniker zur Überprüfung.
- Ersetzen Sie Geräteteile im Servicefall ausschließlich durch Originalersatzteile, damit die Funktionalität und Sicherheit des Geräts in vollem Umfang gewährleistet bleibt. Vergewissern Sie sich stets, dass Ihr Händler oder Servicetechnik-Unternehmen vom Hersteller des Geräts autorisiert ist.

ENGLISH

DEUTSCH

FRANÇAIS

ESPAÑOL

POLSKI

ITALIANO



SICHERHEIT:

ENGLISH

DEUTSCH

FRANCAIS

ESPAÑOL

POLSKI

ITALIANO

BESTIMMUNGSGEMÄSSER BETRIEB

Verwenden Sie dieses Gerät ausschließlich wie in dieser Bedienungsanleitung beschrieben. Nicht bestimmungsgemäßer Betrieb kann das Gerät beschädigen und führt zum Garantieverlust.

Darüber hinaus kann es bei nicht bestimmungsgemäßigem Betrieb zu Gefahren durch Kurzschluss, Verbrennungen, elektrischen Schlag, Lampendefekt etc. kommen.

Gefährden Sie nicht Ihre Sicherheit und die Sicherheit anderer!

Falsche Installation oder Verwendung kann ernsthafte Schäden für Menschen und Geräte nach sich ziehen.

VORSICHT!

- 1. Blicken Sie nicht aus Entfernungen unter 40 cm in den Lichtstrahl.**
- 2. Blicken Sie niemals längere Zeit aus kurzem Abstand in den Lichtstrahl.**
- 3. Blicken Sie niemals mit optischen Geräten wie Vergrößerungsgläsern in den Lichtstrahl.**



ACHTUNG:

Entfernen Sie niemals die Abdeckung, da sonst das Risiko eines elektrischen Schlages besteht. Im Inneren des Geräts befinden sich keine Teile, die vom Bediener repariert oder gewartet werden können. Lassen Sie Reparaturen ausschließlich von qualifiziertem Servicepersonal durchführen.



Das gleichschenkelige Dreieck mit Blitzsymbol warnt vor nichtisolierten, gefährlichen Spannungen im Geräteinneren, die einen elektrischen Schlag verursachen können.



Das gleichschenkelige Dreieck mit Ausrufungszeichen kennzeichnet wichtige Bedienungs- und Wartungshinweise.



EINFÜHRUNG:

ENGLISH

DEUTSCH

FRANÇAIS

ESPAÑOL

POLSKI

ITALIANO

STEUERUNGSFUNKTIONEN

PAR 56 CAN

(CLP56RGB10PS - silbern, poliert
CLP56RGB10BS - schwarz)

- 4-/6-Kanal-DMX-Steuerung
- Blackout/Dimmer/Strobe
- Separate Steuerung der roten, grünen und blauen LEDs

FEATURES

- 108 LEDs:
- Ultra-leuchtstarke 10-mm-LEDs (RGB)
- Musiksteuerung über eingebautes Mikrofon
- Farbwechselgeschwindigkeit und Stroboskopeffekt über Bedienpanel steuerbar
- Multicolor-Farbwechsel
- RGB-Farbmischung
- Master/Slave-Funktionalität
- Aktivierung über Musiksignal
- Robustes, kompaktes Gehäuse
- Doppelhalterung
- Leistungsaufnahme: 20 W
- Abstrahlwinkel: 25 Grad
- Longlife-LEDs mit besonders langer Lebensdauer

BEDIENUNG:

Der Cameo PAR LED CAN ist ein DMX-512-steuerbarer LED-Strahler mit RGB-Farbmischung, der sich durch hocheffiziente, besonders helle 10-mm-LEDs auszeichnet. Die Intensität der drei Farbgruppen (rot, grün, blau) kann unabhängig voneinander gesteuert werden und ermöglicht auf diese Weise eine unbegrenzte Anzahl unterschiedlicher Farbtöne. Der Cameo LED-Strahler lässt sich sowohl einzeln als auch im Master/Slave-Betrieb, per Musiksteuerung und via DMX-512-Protokoll betreiben.

STEUERUNGSFUNKTIONEN

PAR 64 CAN

(CLP64RGB10PS - silbern, poliert
CLP64RGB10BS - schwarz)

- 4-/6-Kanal-DMX-Steuerung
- Blackout/Dimmer/Strobe
- Separate Steuerung der roten, grünen und blauen LEDs

FEATURES

- 183 LEDs:
- Ultra-leuchtstarke 10-mm-LEDs (RGB)
- Musiksteuerung über eingebautes Mikrofon
- Farbwechselgeschwindigkeit und Stroboskopeffekt über Bedienpanel steuerbar
- Multicolor-Farbwechsel
- RGB-Farbmischung
- Master/Slave-Funktionalität
- Aktivierung über Musiksignal
- Robustes, kompaktes Gehäuse
- Doppelhalterung
- Leistungsaufnahme: 30 W
- Abstrahlwinkel: 25 Grad
- Longlife-LEDs mit besonders langer Lebensdauer



RÜCKSEITE:

ENGLISH

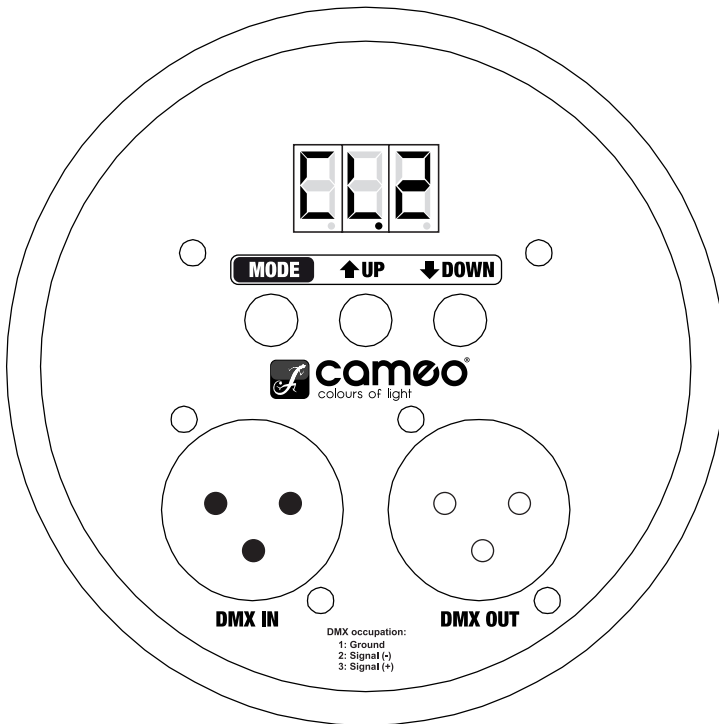
DEUTSCH

FRANCAIS

ESPAÑOL

POLSKI

ITALIANO





AUSWAHL BETRIEBSART:

ENGLISH

STATISCHE FARBE:

Drücken Sie die MODE-Taste, und wählen Sie anschließend mittels der Tasten UP und DOWN eine der 7 Farben aus. 1 = Rot, 2 = Grün, 3 = Blau, 4 = Gelb, 5 = Cyan, 6 = Violett, 7 = Weiß



DEUTSCH

FARBWECHSEL

Drücken Sie die MODE-Taste, und wählen Sie das gewünschte Farbwechselprogramm. Der Scheinwerfer arbeitet nun im Farbwechsel-Betrieb. Wählen Sie anschließend mittels der Tasten UP und DOWN die Farbwechselgeschwindigkeit (0-99) aus.



FRANCAIS

ÜBERBLENDEN

Drücken Sie die MODE-Taste, und wählen Sie den Fade-Modus aus. Der Scheinwerfer arbeitet nun im Überblend-Betrieb. Wählen Sie anschließend mittels der Tasten UP und DOWN die Überblendgeschwindigkeit (0-99) aus.



ESPAÑOL

AUTO-MODUS

Drücken Sie die MODE-Taste, und wählen Sie "Auto" aus. Der Scheinwerfer arbeitet nun im Auto-Betrieb und wechselt automatisch zwischen allen verfügbaren Programmen. Die Geschwindigkeit lässt sich über die Farbwechselgeschwindigkeit und Farbwechselmodi voreinstellen.



POLSKI

MUSIKSTEUERUNG

Drücken Sie die MODE-Taste, und wählen Sie die Betriebsart Musiksteuerung aus. Der Scheinwerfer wird nun durch die Musik gesteuert. Wählen Sie anschließend mittels der Tasten UP und DOWN den gewünschten Musikpegel aus.



ITALIANO

SLAVE-BETRIEB

Verbinden Sie die gewünschten Scheinwerfer miteinander, und wählen Sie über die MODE-Tasten der Slave-Einheiten den Slave-Modus (SLA) aus. Nun folgen die Slave-Einheiten der Master-Einheit.





DMX-STEUERUNG:

Der Cameo PAR 56 CAN bietet zwei verschiedene DMX-Betriebsarten: 4-Kanal- und 6-Kanal-Betrieb. Wenn Sie den 4-Kanal-Modus aktivieren möchten, drücken Sie die MODE-Taste. Anschließend leuchtet unter der ersten Ziffer der DMX-Adresse ein roter Punkt, und der Scheinwerfer arbeitet im 4-Kanal-Modus.



KANAL	WERT	FUNKTION
CH1	000-255	ROT (0-100%)
CH2	000-255	GRÜN (0-100%)
CH3	000-255	BLAU (0-100%)
CH4	000-255	MASTER DIMMER (0-100%)

Wenn Sie den 6-Kanal-Modus aktivieren möchten, drücken Sie die MODE-Taste, bis unter der ersten Ziffer der DMX-Adresse KEIN roter Punkt leuchtet. Nun arbeitet der Scheinwerfer im 6-Kanal-Modus.



KANAL	WERT	FUNKTION
CH1	000-255	ROT (0-100%)
CH2	000-255	GRÜN (0-100%)
CH3	000-255	BLAU (0-100%)
CH4	0-255	Master-Dimmer (0-100%)
CH5	0-16 17-255	Keine Funktion zugewiesen Einstellung von Stroboskop-Effekt/ Geschwindigkeit/Empfindlichkeit Musiksteuerung
CH6	0-31 32-95 96-159 160-223 224-255	Keine Funktion zugewiesen Farbmischung RGB-Farbwechsel Farbwechsel (7 Farben) Musiksteuerung

Wenn Sie von 4-Kanal- auf 6-Kanal-Betrieb umschalten möchten, drücken Sie bitte NUR die MODE-Taste – so oft, bis sich der Scheinwerfer im gewünschten DMX-Modus befindet.

SERIELLE VERKOPPLUNG MEHRERER SCHEINWERFER

- 1) Verbinden Sie das eine Ende des DMX-Kabels (männlicher 3-Pol-Stecker) mit dem DMX-Ausgang (weibliche 3-Pol-Buchse) des ersten Scheinwerfers oder anderen DMX-Geräts.
- 2) Verbinden Sie das andere Ende (weiblicher 3-Pol-Stecker) des DMX-Kabels, das vom ersten Scheinwerfer kommt, mit dem DMX-Eingang (männliche 3-Pol-Buchse) des zweiten Scheinwerfers. Verbinden Sie den DMX-Ausgang dieses Scheinwerfers in der gleichen Weise mit dem DMX-Eingang des nächsten Scheinwerfers und so weiter.

ENGLISH

DEUTSCH

FRANCAIS

ESPAÑOL

POLSKI

ITALIANO



DMX-VERBINDUNG:

DMX-512

DMX (Digital Multiplex) ist die Bezeichnung für ein universelles Übertragungsprotokoll, das der Kommunikation zwischen entsprechenden Geräten und Controllern dient. Ein DMX-Controller sendet DMX-Daten an das/die angeschlossene(n) DMX-Gerät(e). Die DMX-Datenübertragung erfolgt stets als serieller Datenstrom, der über die an jedem DMX-fähigen Gerät vorhandenen "DATA IN"- und "DATA OUT"-Anschlüsse (XLR-Steckverbinder) von einem angeschlossenen Gerät an das nächste weitergeleitet wird. (Die meisten Controller verfügen lediglich über einen DATA-Ausgang.)

DMX-VERBINDUNG:

DMX ist die gemeinsame "Sprache", über die sich die unterschiedlichsten Gerätetypen und Modelle verschiedener Hersteller miteinander verkoppeln und über einen zentralen Controller steuern lassen – sofern sämtliche Geräte und der Controller DMX-kompatibel sind. Für eine optimale Datenübertragung ist es erforderlich, die Verbindungskabel zwischen den einzelnen Geräten so kurz wie möglich zu halten. Die Reihenfolge, in der die Geräte in das DMX-Netzwerk eingebunden sind, hat keinen Einfluss auf die Adressierung. So kann sich das Gerät mit der DMX-Adresse 1 an einer beliebigen Position in der (seriellen) DMX-Kette befinden, am Anfang, am Ende oder irgendwo in der Mitte. Wird einem Gerät die DMX-Adresse 1 zugewiesen, "weiß" der Controller, dass er alle der Adresse 1 zugeordneten Daten an dieses Gerät senden soll – ungeachtet seiner Position im DMX-Verbund.



Eine umfangreiche Auswahl geeigneter Kabel finden Sie in den Adam Hall-Produktlinien 3 STAR, 4 STAR und 5 STAR.

Bitte beachten Sie, dass DMX-Geräte grundsätzlich seriell verschaltet werden und die Verbindungen nicht gesplittet werden können.



DMX-KABEL:

ENGLISH

DEUTSCH

FRANCAIS

ESPAÑOL

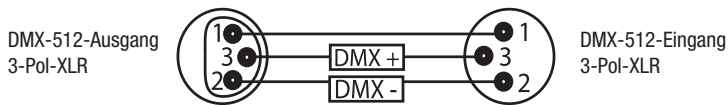
POLSKI

ITALIANO

HINWEIS:

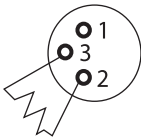
- Beachten Sie bei der Anfertigung eigener Kabel unbedingt die Abbildungen 2 und 3. Verbinden Sie auf keinen Fall die Abschirmung des Kabels mit dem Massekontakt des Steckers, und achten Sie darauf, dass die Abschirmung nicht mit dem XLR-Steckergehäuse in Kontakt kommt. Hat die Abschirmung Massekontakt, kann dies zu Kurzschlüssen und Systemfehlern führen.

Übliche Verbindung



BITTE BEACHTEN SIE: LEITUNGSABSCHLUSS (TERMINIERUNG):

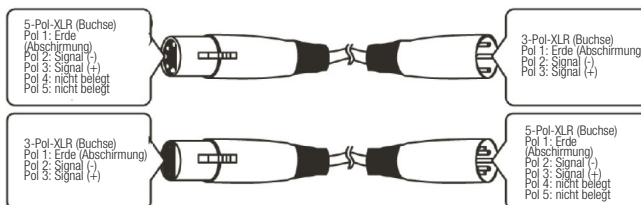
- Bei längeren Kabelstrecken kann es sein, dass das letzte Gerät in der Kette einen Abschlusswiderstand benötigt, um Systemfehlern vorzubeugen.



Die Verwendung eines Abschlusswiderstands (Terminierung) reduziert Interferenzen und andere Probleme bei der Signalübertragung. Es ist immer ratsam, ein DMX-Abschlussmodul (Widerstand 120 Ohm, 1/4 W) zwischen Pol 2 (DMX-) und Pol 3 (DMX+) des letzten Geräts in der Kette einzufügen.

Dies wird durch ein Kabel-Abschlussmodul (Art.-Nr. K3DMXT3) erreicht.

- Einige Hersteller verwenden für die Datenübertragung keine 3-Pol-XLR-Steckverbinder, sondern 5-Pol-Versionen. Geräte mit 5-Pol-XLR-Anschlüssen können jedoch auch in einen DMX-Verbund mit 3-Pol-XLR-Anschlüssen integriert werden. In diesem Fall ist ein geeigneter Kabeladapter erforderlich. Die folgende Abbildung zeigt die korrekte Belegung der entsprechenden Stecker.





TECHNISCHE DATEN:

CLP 56 WEIGHT & DIMENSIONS (WITHOUT BRACKET)

Length	250 mm
Width	250 mm
Height	230 mm
Weight	2.1 kg
Beam angle	25 °

POWER

Power consumption	20 W
AC input	230 V / 50Hz

FUSE

Main	20 mm Glass 0.5 A Fast Blow
------	-----------------------------

CONTROL & PROGRAMMING

Data input	Locking 3-pin XLR male socket
Data output	Locking 3-pin XLR female socket
Protocols	DMX-512 USITT
DMX channels	4/6 selectable

CLP 64 WEIGHT & DIMENSIONS (WITHOUT BRACKET)

Length	270 mm
Width	270 mm
Height	263 mm
Weight	2.3 kg
Beam angle	25 °

POWER

Power consumption	30 W
AC input	230 V / 50Hz

FUSE

Main	20 mm Glass 0.5 A Fast Blow
------	-----------------------------

CONTROL & PROGRAMMING

Data input	Locking 3-pin XLR male socket
Data output	Locking 3-pin XLR female socket
Protocols	DMX-512 USITT
DMX channels	4/6 selectable

ENGLISH

DEUTSCH

FRANCAIS

ESPAÑOL

POLSKI

ITALIANO



HERSTELLERERKLÄRUNGEN:

GARANTIEBESTIMMUNGEN

Diese Garantie erstreckt sich auf die Marken Adam Hall, LD Systems, Defender, Palmer und Eminence.

Die gesetzlichen Gewährleistungsrechte gegenüber dem Verkäufer werden von dieser Garantie nicht berührt. Vielmehr begründet diese Garantie zusätzliche selbständige Ansprüche gegenüber Adam Hall.

Mit dieser Garantie stellt Adam Hall sicher, dass das von Ihnen bei Adam Hall oder einem Adam Hall Partner erworbene Produkt bei normalem Gebrauch während des Zeitraums von 2 bzw. 5 Jahren ab Kaufdatum frei von Material- oder Verarbeitungsfehlern ist.

Der Garantiezeitraum beginnt mit dem Datum des Kaufs.

Der Geltendmachung eines Anspruchs auf Garantieleistungen erforderliche Nachweis des Kaufdatums, erfolgt durch die mit dem Kaufdatum versehene Quittung oder den mit dem Kaufdatum versehenen Lieferschein. Sie haben Anspruch auf den Garantieservice zu den in diesem Dokument aufgeführten Bedingungen und Bestimmungen, falls eine Reparatur der unter den oben genannten Marken vertriebenen Produkte innerhalb des Garantiezeitraums erforderlich ist.

Diese Garantie gilt nur für den ursprünglichen Käufer des von Adam Hall vertriebenen Produkts und ist nicht an Personen übertragbar, denen vom ursprünglichen Käufer das Eigentum am Adam Hall Produkt übertragen wird. Innerhalb des Garantiezeitraums werden die fehlerhaften Komponenten oder das Produkt von Adam Hall repariert oder ersetzt. Alle im Rahmen dieser Garantie entfernten Komponenten und Hardware-Produkte gehen in das Eigentum von Adam Hall über.

In dem unwahrscheinlichen Fall, dass bei dem von Ihnen erworbenen Adam Hall Produkt ein Fehler wiederholt auftritt, kann Adam Hall nach eigenem Ermessen entscheiden, Ihnen dieses Produkt durch ein vergleichbares Produkt mit mindestens derselben Leistung zu ersetzen.

Adam Hall übernimmt keine Garantie für einen störungs- oder fehlerfreien Betrieb dieses Produkts. Adam Hall übernimmt keine Verantwortung für auf eine inkorrekte Befolgung der im Lieferumfang des Adam Hall enthaltenen Anweisungen zurückzuführenden Schäden.

Diese Garantie erstreckt sich nicht auf

- Verschleißteile (z.B. Akkumulator).
- Geräte deren Seriennummer entfernt wurde oder die beschädigt oder fehlerhaft wurden als Folge eines Unfalls.
- nicht sachgerechter oder missbräuchlicher Verwendung oder anderer missbräuchlicher Verwendung oder anderer äußerer Ursachen.
- Geräte die nicht entsprechend den Betriebsparametern betrieben wurden, die in den im Lieferumfang des Produkts enthaltenen Benutzerunterlagen festgelegt sind.
- Geräte die aufgrund der Verwendung nicht von Adam Hall hergestellter oder vertriebener Teile repariert wurden.
- Geräte die durch Änderung oder Wartung durch jemand anderen als Adam Hall getätigt wurde.

Diese Bestimmungen und Bedingungen stellen die vollständige und ausschließliche Garantievereinbarung zwischen Ihnen und Adam Hall für das von Ihnen erworbene Adam Hall Produkt dar.

ENGLISH

DEUTSCH

FRANCAIS

ESPAÑOL

POLSKI

ITALIANO



HERSTELLERERKLÄRUNGEN:

HAFTUNGSBESCHRÄNKUNG

Wenn das unter der Marke Adam Hall vertriebene Produkt nicht entsprechend der obigen Garantie funktioniert, besteht Ihr alleiniger und ausschließlicher Anspruch aus dieser Garantie in der Reparatur oder dem Ersatz. Weitergehende Gewährleistungsansprüche bleiben hiervon unberührt. Die maximale Haftung von Adam Hall im Rahmen dieser Garantie ist ausdrücklich beschränkt auf den jeweils niedrigeren Betrag, der sich entweder aus dem Kaufpreis für das Produkt oder aus den Reparatur- bzw. Ersatzkosten von Hardware-Komponenten, die bei normalem Gebrauch nicht Ordnungsgemäß funktionieren, ergibt.

Adam Hall haftet aus dieser Garantie nicht für durch das Produkt oder sein versagen verursachte Schäden, einschließlich entgangener Gewinne, unterbliebener Einsparungen oder besonderer, indirekter oder Folgeschäden. Adam Hall haftet zudem nicht für von Dritten oder von ihnen für Dritte geltend gemachte Ansprüche.

Diese Haftungsbeschränkung gilt unabhängig davon, ob Schäden gerichtlich verfolgt werden, ob Schadenersatzansprüche im Rahmen dieser Garantie oder aufgrund unerlaubter Handlungen (Einschließlich Fahrlässigkeit und Gefährdungshaftung) oder aufgrund vertraglicher bzw. sonstiger Ansprüche gestellt werden. Diese Haftungsbeschränkung kann von keiner Person aufgehoben oder ergänzt werden. Diese Haftungsbeschränkung gilt auch dann, wenn sie Adam Hall über die Möglichkeit derartiger Schäden informiert haben. Sie gilt jedoch nicht für Ansprüche aus Personenschäden.

Aus dieser Garantie ergeben sich für Sie bestimmte Rechte. Möglicherweise haben Sie weitere Rechte, die Ihnen von Staat zu Staat und von Land zu Land unterschiedlich sein können. Es ist ratsam, die entsprechenden Gesetze des Staates bzw. Landes heranzuziehen, um Ihre Rechte umfassend zu ermitteln.

INANSPRUCHNAHME DES REPARATURSERVICE

Um den Garantieservice bzw. Reparaturservice für das Produkt in Anspruch zu nehmen, wenden Sie sich bitte an Adam Hall oder an einen Adam Hall Partner, bei dem Sie das Produkt erworben haben.

EG-KONFORMITÄTserklärung

Diese Geräte entsprechen den grundlegenden Anforderungen und den weiteren Vorgaben der Richtlinien 2004/108/EC (EMC) und 2006/95/EC (LVD). Weitere Informationen finden Sie unter www.adamhall.com.

KORREKTE ENTSORGUNG DIESES PRODUKTES

(Gültig in der Europäischen Union)

Dieses Symbol (entweder auf dem Gerät oder dem dazugehörigen Handbuch) weist darauf hin, dass das Gerät nicht mit dem normalen Hausmüll entsorgt werden darf. Um mögliche Schäden an der Umwelt und an Personen zu verhindern, entsorgen Sie dieses Gerät bitte fachgerecht bei einer entsprechenden Stelle für Elektromüll.

Als Privatkunde informieren Sie sich bitte beim Hersteller oder bei Ihrer Gemeinde über die Möglichkeiten der korrekten Entsorgung.

Als Geschäftskunde kontaktieren Sie bitte Ihren Lieferanten und prüfen Sie die Konditionen zur Entsorgung der Geräte. Dieses Produkt sollte nicht mit anderem gewerblichen Abfall entsorgt werden.

ENGLISH

DEUTSCH

FRANÇAIS

ESPAÑOL

POLSKI

ITALIANO



HERSTELLERERKLÄRUNGEN:

WEEE-DEKLARATION



Ihr LD-Systems Produkt wurde unter der Verwendung hochwertiger Materialien und Komponenten die wiederverwertet oder wieder verwendet werden können hergestellt. Dieses Symbol weist darauf hin, dass elektronische Geräte nicht im normalen Hausmüll entsorgt werden dürfen. Entsorgen Sie dieses Gerät bitte fachgerecht bei einer entsprechenden Stelle für Elektromüll und helfen Sie dabei unsere Umwelt zu schützen.

BATTERIEN UND AKKUS



Die mitgelieferten Batterien können wiederverwertet werden. Werfen Sie die Batterien daher nicht in den normalen Hausmüll sondern in gesonderte dafür vorgesehene Container. Helfen Sie, unsere Umwelt sauber zu halten.

ENGLISH

DEUTSCH

FRANCAIS

ESPAÑOL

POLSKI

ITALIANO

Adam Hall GmbH, alle Rechte vorbehalten. Die technischen Daten und die funktionalen Produkteigenschaften können Änderungen und Irrtümer vorbehalten. Das Kopieren, die Übersetzung, und alle anderen Formen des Kopierens von Fragmenten oder der Vollständigkeit dieser Bedienungsanleitung ist untersagt.



ENGLISH

DEUTSCH

FRANCAIS

ESPAÑOL

POLSKI

ITALIANO

Merci d'avoir choisi Cameo Light !

Nous avons conçu ce produit en vue d'une fiabilité optimale pendant des années.

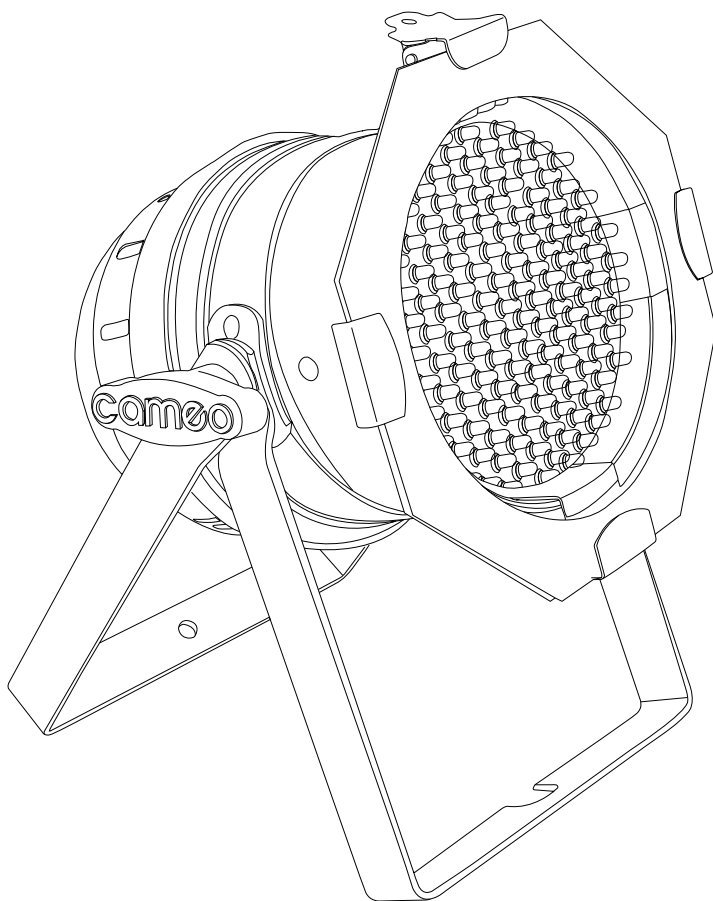
Veuillez prendre quelques instants pour lire attentivement ces instructions - cela vous permettra d'utiliser plus rapidement et de façon optimale votre nouveau produit Cameo Light.

Pour plus d'informations sur Cameo Light, visitez notre site Web, WWW.CAMEOLIGHT.COM



PAR **56 / 64** CAN

CANS À LED 10 MM CLP56RGB10 / CLP64RGB10



ENGLISH

DEUTSCH

FRANCAIS

ESPAÑOL

POLSKI

ITALIANO



MESURES PRÉVENTIVES :

- Ne laissez jamais le câble d'alimentation entrer en contact avec d'autres câbles. Manipulez le câble d'alimentation et tous les câbles transportant la tension secteur avec une attention particulière !
- Ne décollez jamais les étiquettes d'avertissement ou d'information de l'appareil.
- N'ouvrez jamais l'appareil, et ne le modifiez sous aucun prétexte.
- Ne connectez jamais cet appareil à un dimmer.
- N'éteignez pas l'appareil pour le rallumer immédiatement : vous réduiriez ainsi sa durée de vie.
- N'utilisez l'appareil qu'en intérieur.
- N'exposez pas l'appareil à une flamme ni à une source inflammable (liquide, gaz...).
- Débranchez toujours l'appareil du secteur lorsque vous ne l'utilisez plus, ou avant de le nettoyer. Manipulez toujours le câble secteur en le tenant par sa fiche. Ne débranchez jamais l'appareil en tirant sur le câble secteur.
- Vérifiez que la tension secteur disponible est comprise entre 230 Volts.
- Vérifiez que le câble secteur n'est pas pincé ni endommagé. Vérifiez régulièrement l'état de l'appareil et de son câble secteur.
- Si l'appareil a subi une chute ou est endommagé, débranchez-le du secteur immédiatement. Faites-le inspecter par un ingénieur qualifié avant de le remettre en fonctionnement.
- Si l'appareil a été exposé à des fluctuations de température importantes (par exemple, à l'issue de son transport), ne le mettez pas immédiatement sous tension. La condensation résultante est susceptible de l'endommager. Laissez l'appareil hors tension jusqu'à ce qu'il se soit mis à la température du local.
- Si votre appareil semble ne pas fonctionner correctement, débranchez-le immédiatement. Emballez-le soigneusement (de préférence en utilisant le carton original) et renvoyez-le à votre revendeur Cameo pour réparation.
- N'utilisez que des fusibles du même type et de même calibre que l'original.
- Les réparations, l'entretien et les branchements secteur doivent être assurés exclusivement par un technicien qualifié. **CET APPAREIL NE CONTIENT AUCUNE PIÈCE RÉPARABLE PAR L'UTILISATEUR.**
- N'utilisez aucun accessoire et n'effectuez aucune modification non autorisée par le fabricant de cet appareil.
- Pour utiliser l'appareil, choisissez un emplacement où il est protégé des vibrations, et où il est possible de le monter de façon fixe. Dans le cas d'une installation en hauteur, conformez-vous aux règles d'accroche appropriées et suivez les normes en vigueur dans votre pays en matière de sécurité et d'accroche.
- Avant de brancher la fiche secteur dans la prise murale, vérifiez que les valeurs de tension et de fréquence sont celles pour lesquelles ce produit est spécifié. Au cas où la fiche secteur ne correspond pas à la prise murale, contactez immédiatement votre revendeur.
- Si des fluides, ou de petits objets, ont réussi à pénétrer dans l'appareil, éteignez-le immédiatement et confiez-le à un centre de S.A.V. autorisé pour un contrôle de sécurité.
- En cas d'orage, débranchez l'appareil en retirant sa fiche secteur de la prise murale, ou au niveau de la prise secteur de l'appareil, afin d'éviter tout dommage consécutif à d'éventuelles surtensions.
- Si l'appareil ne fonctionne pas correctement, si le cordon secteur ou un autre composant est endommagé, débranchez immédiatement la fiche secteur de la prise murale, et confiez l'appareil à un centre de S.A.V. autorisé pour contrôle de sécurité.
- Pour garantir la même sécurité et les mêmes fonctionnalités à l'issue d'une intervention sur l'appareil, il est essentiel de remplacer les pièces originales par des pièces détachées d'origine. Par conséquent, ne confiez votre appareil qu'à votre revendeur, ou à un centre technique agréé par le fabricant.

ENGLISH

DEUTSCH

FRANCAIS

ESPAÑOL

POLSKI

ITALIANO



SÉCURITÉ :

CONSEILS D'UTILISATION

Si l'appareil est utilisé d'une façon différente de celle décrite dans ce manuel utilisateur, le produit peut subir des dommages, et la garantie sera annulée.

Une utilisation incorrecte peut provoquer des dangers, par exemple : court-circuit, brûlures, électrocution, défaillance de la lampe, etc.

Ne mettez pas en danger votre sécurité ni celle des autres !

Une installation ou une utilisation incorrecte peut provoquer de sérieux dommages aux personnes et aux objets.

ATTENTION !

- 1. Ne regardez pas le faisceau depuis une distance inférieure à 40 cm.**
- 2. Ne fixez pas le faisceau pendant des périodes prolongées depuis une courte distance.**
- 3. Ne regardez pas directement le faisceau au travers d'instruments optiques, loupes par exemple.**



ATTENTION :

Pour éviter tout risque d'électrocution, ne démontez pas le capot (ou le panneau arrière). L'appareil ne contient aucune pièce réparable par l'utilisateur. Veuillez confier la maintenance de l'appareil à un personnel qualifié.



Le pictogramme d'éclair avec pointe de flèche dans un triangle équilatéral est prévu pour alerter l'utilisateur de la présence d'une "tension dangereuse" non isolée à l'intérieur du coffret de l'appareil – tension suffisamment élevée pour constituer un risque pour l'organisme humain.



Le point d'exclamation à l'intérieur d'un triangle équilatéral sert à attirer l'attention de l'utilisateur sur la présence d'instructions importantes, relatives à l'utilisation ou à la maintenance, dans la brochure livrée avec l'appareil.

ENGLISH

DEUTSCH

FRANCAIS

ESPAÑOL

POLSKI

ITALIANO



INTRODUCTION :

COMMANDES

PAR 56 CAN

(CLP56RGB10PS - finition polie
CLP56RGB10BS - noir)

- DMX 4/6 canaux
- Blackout/Dimmer/Stroboscope
- Contrôle séparé des LED rouges, vertes et bleues

CARACTÉRISTIQUES

- 108 LED :
- LED RGB ultra-brillantes, diamètre 10 mm
- Commande par le son, grâce à un microphone intégré
- Vitesse de changement de couleur et effet stroboscopique réglable sur le panneau de contrôle
- Variateur de couleurs
- Mélange de couleurs RGB
- Fonctions Master/Slave
- Activation par le son
- Boîtier robuste et compact
- Double support
- Consommation : 20 W
- Angle du faisceau lumineux : 25°
- LED à longue durée de vie

COMMANDES

PAR 64 CAN

(CLP64RGB10PS - finition polie
CLP64RGB10BS - noir)

- DMX 4/6 canaux
- Blackout/Dimmer/Stroboscope
- Contrôle séparé des LED rouges, vertes et bleues

CARACTÉRISTIQUES

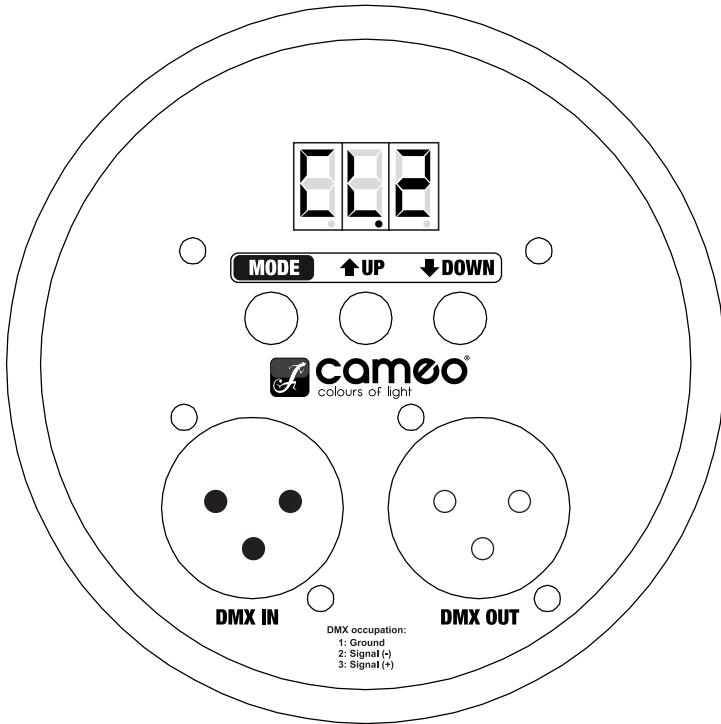
- 183 LED :
- LED RGB ultra-brillantes, diamètre 10 mm
- Commande par le son, grâce à un microphone intégré
- Vitesse de changement de couleur et effet stroboscopique réglable sur le panneau de contrôle
- Variateur de couleurs
- Mélange de couleurs RGB
- Fonctions Master/Slave
- Activation par le son
- Boîtier robuste et compact
- Double support
- Consommation : 30 W
- Angle du faisceau lumineux : 25°
- LED à longue durée de vie

INSTRUCTIONS D'UTILISATION

Le Cameo PAR LED CAN est un spot mélangeur de couleurs RGB, contrôlable via DMX 512, utilisant des LED haute efficacité et super-brillantes de 10 mm de diamètre. On compte trois groupes de couleurs (rouge, vert et bleu), dont l'intensité est contrôlable individuellement, ce qui permet de créer une gamme illimitée de couleurs. Le spot Cameo LED fonctionne en mode autonome, Master/Slave, activé par le son ou via contrôle par protocole DMX-512.



PANNEAU ARRIÈRE :



ENGLISH

DEUTSCH

FRANCAIS

ESPAÑOL

POLSKI

ITALIANO



SÉLECTION DE MODE :

MODE COULEUR STATIQUE :

Appuyez sur la touche Mode et sélectionnez, via les touches Haut/Bas, l'une des 7 couleurs désirées. 1 = rouge ; 2 = vert ; 3 = bleu ; 4 = jaune ; 5 = cyan ; 6 = violet ; 7 = blanc



MODE CHANGEUR DE COULEURS

Appuyez sur la touche Mode pour sélectionner le programme Colour Change. L'appareil fonctionne alors en mode changeur de couleurs. Appuyez sur les touches Haut/Bas pour définir la rapidité de variation de couleur, de 0 à 99.



MODE FADING DE COULEURS

Appuyez sur la touche Mode pour sélectionner le mode Fade. L'appareil fonctionne alors en mode Colour Fade. Appuyez sur les touches Haut/Bas pour définir la rapidité de fading de 0 à 99.



MODE AUTO RUNNING

Appuyez sur la touche Mode pour sélectionner le mode Auto. L'appareil passe alors automatiquement par tous les programmes intégrés. La vitesse de défilement peut être pré-réglée via la vitesse des modes Changeur de Couleurs et Colour Fade.



MODE SOUND ACTIVE

Appuyez sur la touche Mode pour sélectionner le mode Sound. L'appareil est alors commandé par le son. Appuyez sur les touches Haut/Bas pour régler la sensibilité au son.



MODE SLAVE

Reliez les appareils l'un à l'autre, puis appuyez sur la touche Mode de chaque appareil esclave, afin de passer en mode SLA. Les appareils esclaves suivent alors l'appareil Master.



ENGLISH

DEUTSCH

FRANCAIS

ESPAÑOL

POLSKI

ITALIANO



MODE DMX CONTROL :

Le Cameo PAR 56 CAN possède deux modes DMX : 3 canaux ou 6 canaux.
 Pour activer le mode 3 canaux, appuyez sur la touche Mode de façon à faire apparaître un point rouge lumineux sous le premier chiffre de l'adresse DMX.
 L'appareil est alors prêt à être utilisé en mode DMX 3 canaux.



CANAL	VALEUR	FONCTION
CANAL 1	000-255	ROUGE (de 0 à 100%)
CANAL 2	000-255	VERT (de 0 à 100%)
CANAL 3	000-255	BLEU (de 0 à 100%)
CANAL 4	000-255	VARIATEUR DE LUMIÈRE MAÎTRE (DE 0 À 100%)

Pour activer le mode 6 canaux, appuyez sur la touche Mode de façon à ne faire apparaître AUCUN point rouge lumineux sous le premier chiffre de l'adresse DMX.
 L'appareil est alors prêt à être utilisé en mode DMX 6 canaux.



CANAL	VALEUR	FONCTION
CANAL 1	000-255	ROUGE (de 0 à 100%)
CANAL 2	000-255	VERT (de 0 à 100%)
CANAL 3	000-255	BLEU (de 0 à 100%)
CANAL 4	0-255	Dimmer Master (de 0 à 100%)
CANAL 5	0-16 17-255	Aucune fonction Réglage de la sensibilité du mode Strobe, de la vitesse, de la sensibilité sonore
CANAL 6	0-31 32-95 96-159 160-223 224-255	Aucune fonction Mixage de couleurs Changeur de couleurs RGB Changement 7 couleurs Activation par le son

Pour passer du mode 4 canaux au mode 6 canaux, appuyez UNIQUEMENT sur la touche Mode, plusieurs fois, jusqu'à revenir en mode DMX Control.

BRANCHEMENT EN CASCADE (DAISY CHAIN)

- 1) Connectez le connecteur mâle 3 points du câble DMX au connecteur femelle 3 points du premier appareil.
- 2) Connectez l'extrémité du câble provenant du premier appareil, équipée d'un connecteur 3 points femelle, au connecteur d'entrée de l'appareil suivant (mâle, 3 points). Passez ensuite à l'appareil suivant, de sortie en entrée,

ENGLISH

DEUTSCH

FRANCAIS

ESPAÑOL

POLSKI

ITALIANO



COUPLAGE DMX :

DMX-512

Le DMX (abréviation de Digital Multiplex) est un protocole de communication universel, utilisé entre contrôleurs et appareils d'éclairage. Un contrôleur DMX envoie des données DMX (des instructions) à l'appareil d'éclairage à contrôler. Les données DMX sont envoyées en série, et passent d'un appareil au suivant via les connecteurs XLR "DATA IN" et "DATA OUT" que possèdent tous les appareils DMX (la plupart des contrôleurs ne possèdent qu'un connecteur "DATA OUT").

COUPLAGE DMX :

Le DMX est un langage permettant de relier des appareils de toutes marques et de tous modèles, et de les commander depuis un même contrôleur, à partir du moment où tous les appareils de la configuration sont compatibles DMX. Pour assurer une transmission correcte des données DMX lorsque vous utilisez plusieurs appareils, essayez d'utiliser les câbles les plus courts possibles. L'ordre dans lequel les appareils sont connectés au sein d'une même ligne DMX n'influe en rien sur l'adressage DMX. Par exemple, un appareil assigné à l'adresse DMX 1 peut être placé n'importe où dans une ligne DMX, au début ou à la fin, ou n'importe où entre les deux. Lorsqu'un appareil est assigné à l'adresse DMX 1, le contrôleur DMX sait qu'il doit envoyer les données assignées à l'adresse 1 à cet appareil quel que soit son emplacement dans la chaîne DMX.



Veuillez effectuer votre choix de câbles DMX parmi nos gammes de produits Adam Hall 3 STAR, 4 STAR et 5 STAR.

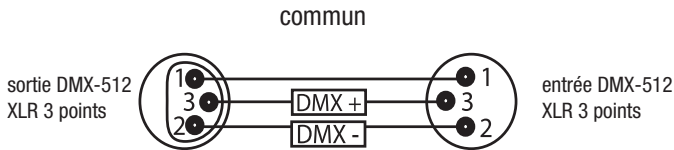
N'oubliez pas que les câbles DMX doivent être reliés en cascade (daisy chain), et ne peuvent pas être splittés.



CÂBLES DMX :

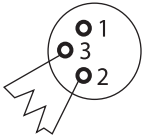
ATTENTION :

- Si vous fabriquez vos câbles vous-même, conformez-vous aux figures 2 et 3. Ne reliez pas le blindage du câble à l'ergot de masse, et ne laissez pas le blindage entrer en contact avec l'extérieur du connecteur XLR. Mettre le blindage à la masse peut provoquer un court-circuit ou un comportement erratique.



REMARQUE SPÉCIALE : TERMINAISON DE LA LIGNE :

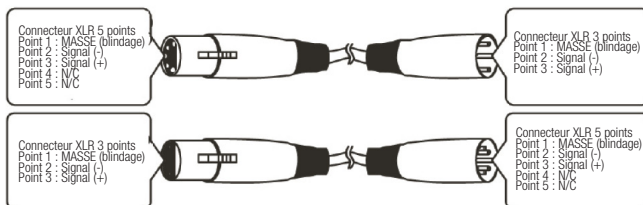
- Si vous tirez de grandes longueurs de câbles, vous devrez peut-être utiliser une terminaison sur le dernier appareil de la chaîne, afin d'éviter un comportement erratique.



La terminaison réduit les problèmes de transmission du signal et des interférences. Nous vous conseillons de connecter toujours une terminaison DMX (résistance de 120 Ohms, 1/4 W) entre le point 2 (DMX-) et le point 3 (DMX+) du dernier appareil de la chaîne.

L'utilisation d'une terminaison de câble (Art. N° K3DMXT3) diminue les risques d'un comportement erratique.

- Certains fabricants utilisent, pour la transmission des données, des connecteurs XLR 5 points au lieu des connecteurs XLR 3 points. Les appareils possédant des XLR 5 points peuvent être implémentés dans une ligne DMX à base de XLR 3 points. Pour insérer des appareils équipés de connecteurs XLR 5 points dans une ligne utilisant des XLR 3 points, il faut utiliser des câbles adaptateurs. Le schéma ci-dessous indique le brochage d'un tel câble de conversion :



ENGLISH

DEUTSCH

FRANCAIS

ESPAÑOL

POLSKI

ITALIANO



CARACTÉRISTIQUES:

CLP 56 WEIGHT & DIMENSIONS (WITHOUT BRACKET)

Length	250 mm
Width	250 mm
Height	230 mm
Weight	2.1 kg
Beam angle	25 °

POWER

Power consumption	20 W
AC input	230 V / 50Hz

FUSE

Main	20 mm Glass 0.5 A Fast Blow
------	-----------------------------

CONTROL & PROGRAMMING

Data input	Locking 3-pin XLR male socket
Data output	Locking 3-pin XLR female socket
Protocols	DMX-512 USITT
DMX channels	4/6 selectable

CLP 64 WEIGHT & DIMENSIONS (WITHOUT BRACKET)

Length	270 mm
Width	270 mm
Height	263 mm
Weight	2.3 kg
Beam angle	25 °

POWER

Power consumption	30 W
AC input	230 V / 50Hz

FUSE

Main	20 mm Glass 0.5 A Fast Blow
------	-----------------------------

CONTROL & PROGRAMMING

Data input	Locking 3-pin XLR male socket
Data output	Locking 3-pin XLR female socket
Protocols	DMX-512 USITT
DMX channels	4/6 selectable

ENGLISH

DEUTSCH

FRANCAIS

ESPAÑOL

POLSKI

ITALIANO



DECLARATIONS DU FABRICANT:

GARANTIE LIMITÉE:

Cette garantie limitée s'applique aux produits de la marque Adam Hall, LD Systems, Defender, Palmer, Cameo et Eminence.

Les droits inhérents à la garantie légale vis-à-vis du revendeur ne sont pas affectés par cette garantie. En fait elle justifie d'une garantie supplémentaire indépendante auprès de la société Adam Hall.

La société Adam Hall garantit que le produit que vous avez acheté Adam Hall ou à l'un de ses revendeurs officiels, est exempt de défaut matériel et d'usinage pour une durée de 2 ans (ou 5 ans pour les produits Palmer) à partir de la date d'achat, lorsqu'il est utilisé dans des conditions normales.

La période de garantie limitée débute le jour de l'achat du produit. Pour bénéficier de cette garantie vous devez produire une preuve d'achat sur laquelle figure la date d'achat du produit (ex : ticket de caisse daté, bon de livraison daté...). Si un produit d'une des marques citées ci-dessus venait à nécessiter une réparation durant la période de garantie limitée, vous aurez alors le droit de bénéficier des services de la garantie selon les termes et conditions mentionnés par ce document.

Cette garantie limitée ne s'applique qu'à l'acheteur initial de ce produit Adam Hall et ne peut être en aucun cas transférée à un tiers devenu propriétaire du produit. Durant la période de garantie limitée, Adam Hall s'engage à réparer ou remplacer les pièces défectueuses du produit. Toutes les pièces ou éléments démontés lors d'une réparation par Adam Hall deviennent la propriété d'Adam Hall.

Dans le cas improbable d'un défaut récurrent, Adam Hall peut, à sa discrétion, décider de vous fournir un produit de remplacement de son choix, dont les capacités techniques sont au moins équivalentes à celles de votre produit initial.

Adam Hall ne garantit pas que le fonctionnement de ce produit sera exempt d'erreur ou ininterrompu. Adam Hall ne peut pas être rendu responsable des dégâts résultant de votre manquement à suivre les instructions d'utilisation fournies avec votre produit.

Cette garantie limitée ne s'applique pas,

- aux pièces d'usure (ex: piles)
- aux produits dont le numéro de série a été effacé ou aux produits endommagés ou rendus défectueux par accident
- dans le cas d'une utilisation non conforme aux conditions normales d'utilisation, dans le cas d'abus ou toute autre cause externe
- dans le cas d'un usage du produit en dehors des paramètres d'utilisation stipulés dans la documentation fournie avec le produit
- dans le cas de l'usage de pièces de remplacement n'étant pas fabriquées ou vendues par Adam Hall
- dans le cas d'une modification du produit ou d'une réparation par quiconque autre qu'Adam Hall

Ces termes et conditions constituent l'accord de garantie complet et exclusif entre vous et Adam Hall concernant le produit de la marque Adam Hall que vous vous êtes procuré.

ENGLISH

DEUTSCH

FRANCAIS

ESPAÑOL

POLSKI

ITALIANO



DECLARATIONS DU FABRICANT:

LIMITATION OF LIABILITY

Si votre produit Adam Hall devait ne pas fonctionner correctement, votre seul et unique dédommagement sera la réparation du produit ou son remplacement. La responsabilité maximale imputable à Adam Hall dans le cadre de cette garantie limitée se limite au montant le plus bas. Ce montant découle du prix d'achat du produit ou bien du coût de la réparation ou des pièces de remplacement qui sont tombés en panne dans des conditions d'utilisation normales.

Adam Hall n'est pas responsable des dommages causés par le produit ou par un dysfonctionnement du produit, y compris les pertes de profits, les pertes d'épargne, et les conséquences inhérentes à ces dommages. La responsabilité d'Adam Hall ne peut pas être engagée dans le cas d'une réclamation par un tiers ou dans le cas d'une réclamation émanant de l'acheteur initial pour le compte d'un tiers.

Cette limitation de responsabilité est valable indépendamment du fait que les dommages commis fassent l'objet de poursuites judiciaires, qu'ils fassent l'objet de réclamation (y compris pour négligence), de réclamations contractuelles ou tout autre réclamation. Cette limitation de responsabilité ne peut être amendée ou dérogée par quiconque. Elle est effective même si vous aviez avisé Adam Hall ou l'un de ses représentants officiels de la possibilité d'un tel dommage. Toutefois cette limitation de responsabilité est sans effet dans le cas de réclamations pour dommages corporels.

Cette garantie limitée vous confère des droits légaux spécifiques. Selon votre pays, ou l'État dans lequel vous vous trouvez, il est possible que vous disposiez d'autres droits. Veuillez consulter les lois applicables dans votre pays ou votre État pour déterminer l'ensemble de vos droits.

FAIRE FONCTIONNER LA GARANTIE

Pour faire fonctionner la garantie sur ce produit, veuillez contacter Adam Hall ou le revendeur agréé auquel vous avez acheté le produit.

DECLARATION DE CONFORMITE CE

Ces appareils répondent aux exigences essentielles et aux autres dispositions pertinentes des directives 2004/108/CE (EMC) et 2006/95/EC (LVD). Pour plus d'informations, consultez www.adamhall.com.

ELIMINATION CORRECTE DES DÉCHETS (DÉCHETS ÉLECTROMÉNAGERS)

(Applicable dans l'Union Européenne et dans les autres pays européens disposant d'un système de tri des déchets)



Ce signe figurant sur le produit, ou dans la brochure jointe au produit, indique qu'il ne doit pas être jeté dans le même bac à ordures que les déchets ménagers classiques lorsqu'il arrive en fin de vie. Pour écarter les risques de pollution de l'environnement ou les risques d'intoxication humaine dues à un mauvais traitement des déchets, veuillez séparer ce produit des autres types de déchets. Il sera ainsi inséré dans la boucle du recyclage et ces composants pourront être traités puis éventuellement réutilisés.

Nous recommandons aux particuliers de contacter leur revendeur local ou les autorités locales pour s'informer de la meilleure façon de traiter les déchets électroménagers.

Les professionnels doivent contacter leur fournisseur et examiner avec lui les termes et conditions de leur contrat d'achat. Ce produit ne doit pas être mélangé aux déchets industriels.



DECLARATIONS DU FABRICANT:

DECLARATION WEEE

Votre produit LD-Systems a été développé et fabriqué avec des matériaux et des composants de haute qualité, qui peuvent être recyclés et/ou réutilisés. Ce symbole indique que les appareils électriques et électroniques, à la fin de leur durée de vie opérationnelle, doivent être gérés séparément des déchets ordinaires.

Veuillez apporter ce produit au point de collecte ou centre de recyclage local prévu pour de tels appareils. Vous contribuerez ainsi à la protection de l'environnement dans lequel nous vivons tous.

BATTERIES ET ACCUMULATEURS

Les piles ou batteries rechargeable livrées avec l'appareil sont recyclables. Veuillez les jeter dans un bac à déchets spécial, ou déposez-les chez votre revendeur spécialisé. Pour une meilleure protection de l'environnement, ne jetez les piles que lorsqu'elles sont épuisées.

ENGLISH

DEUTSCH

FRANCAIS

ESPAÑOL

POLSKI

ITALIANO

Adam Hall GmbH, tous droits réservés. Les caractéristiques techniques et les fonctions disponibles sur le produit sont sujettes à modifications. La photocopie, la traduction et toute forme de copie, partielle ou intégrale, de ce manuel utilisateur sont interdites.



ENGLISH

DEUTSCH

FRANÇAIS

ESPAÑOL

POLSKI

ITALIANO

¡Gracias por elegir Cameo Light!

Este producto se ha diseñado para ofrecer una fiabilidad y durabilidad óptimas.

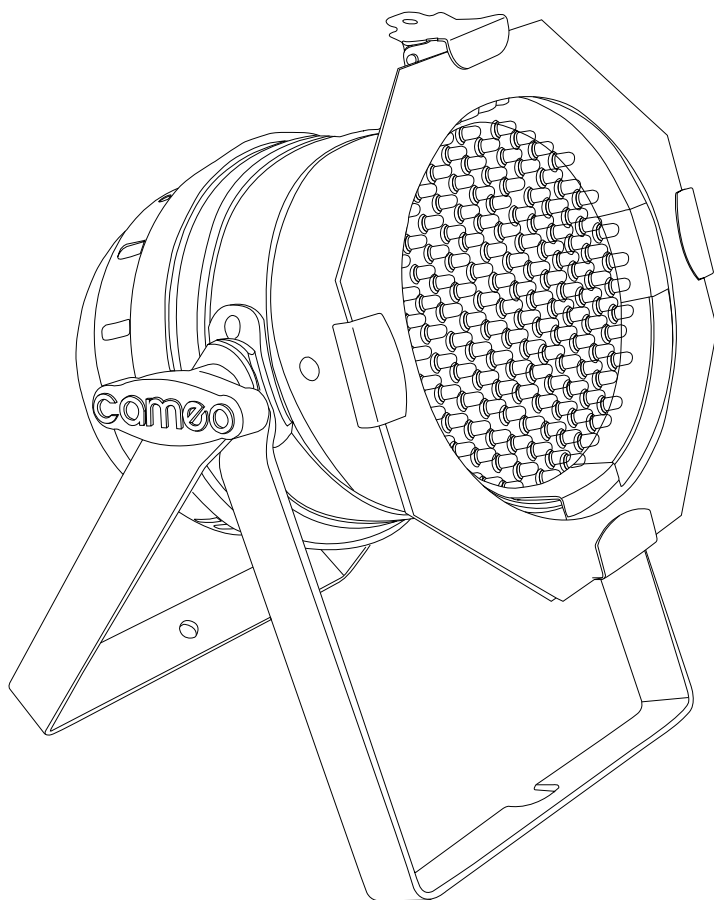
Le rogamos que lea atentamente estas instrucciones para familiarizarse rápidamente con este producto Cameo Light y aprovechar al máximo todas las funciones.

Si desea obtener más información sobre Cameo Light, visite nuestro sitio web WWW.CAMEOLIGHT.COM



PAR **56 / 64** CAN

FOCOS LED 10 MM CLP56RGB10 / CLP64RGB10



ENGLISH

DEUTSCH

FRANCAIS

ESPAÑOL

POLSKI

ITALIANO



MEDIDAS DE SEGURIDAD:

- Evite que el cable eléctrico esté en contacto con otros cables. ¡Extreme las precauciones al manipular el cable eléctrico y todas las conexiones con tensión!
- No retire las etiquetas de advertencia o informativas adheridas al equipo.
- No abra el equipo ni intente modificarlo.
- No conecte el equipo a reguladores tipo dimmer.
- No encienda y apague el equipo en cortos intervalos de tiempo, ya que se reduce así la vida útil del sistema.
- Utilice este equipo exclusivamente en interiores.
- No lo exponga a fuentes, líquidos o gases inflamables.
- Desconecte el equipo de la toma de corriente cuando no esté en uso o antes de limpiarlo. Para desenchufar el cable eléctrico, sujételo por el enchufe. No tire nunca del cable eléctrico para desenchufarlo.
- Asegúrese de que el suministro eléctrico es 230 V.
- Procure que el cable eléctrico no quede pinzado o se dañe. Revise el equipo y el cable eléctrico periódicamente.
- Si el equipo se cae o se daña, desconéctelo inmediatamente del suministro eléctrico. Antes de volver a utilizar el equipo, haga que lo inspeccione un técnico cualificado.
- Si el equipo ha estado expuesto a un cambio brusco de temperatura (por ejemplo, después del transporte), no lo encienda inmediatamente. La condensación que se produce podría dañar el equipo. Deje el equipo apagado hasta que haya alcanzado la temperatura ambiente.
- Si el equipo no funciona correctamente, deje de utilizarlo. Envuelva el equipo perfectamente protegido dentro de una caja (utilice preferentemente el embalaje original) y devuélvalo a su distribuidor Cameo para su reparación.
- Utilice únicamente fusibles del mismo tipo y características.
- Las tareas de reparación, mantenimiento y conexión eléctrica deberán ser realizadas únicamente por personal técnico cualificado. ESTE EQUIPO NO CONTIENE PIEZAS QUE EL USUARIO PUEDA REPARAR.
- No utilice accesorios o modificaciones no autorizadas por el fabricante del equipo.
- Instale el equipo en un lugar no expuesto a vibraciones y que disponga de un punto estable de montaje. En caso de montaje suspendido, siga las normas adecuadas para volado y los reglamentos de seguridad aplicables en su país.
- Antes de conectar el cable eléctrico a la toma de corriente, compruebe si la tensión y la frecuencia del suministro eléctrico coinciden con las especificaciones de este producto. En caso de que no coincidan, llame a su distribuidor inmediatamente.
- Si se derrama líquido o caen piezas pequeñas dentro del equipo, apáguelo inmediatamente y llévelo a un servicio técnico autorizado para su revisión.
- En caso de tormenta eléctrica, tire del enchufe (no del cable) de la toma eléctrica de pared o del equipo para desconectarlo y evitar cualquier daño debido a los picos de tensión.
- En caso de que el equipo no funcione correctamente, o que esté dañado el cable eléctrico o cualquier otra pieza, desenchufe inmediatamente el equipo y llévelo a un servicio técnico autorizado para su reparación.
- Para mantener la funcionalidad y cumplir con todos los aspectos de seguridad de este equipo, todas las piezas defectuosas deberán sustituirse por recambios originales. Por lo tanto, asegúrese de que su distribuidor o servicio técnico esté autorizado por el fabricante.

ENGLISH

DEUTSCH

FRANÇAIS

ESPAÑOL

POLSKI

ITALIANO



SEGURIDAD:

ENGLISH

DEUTSCH

FRANCAIS

ESPAÑOL

POLSKI

ITALIANO

CONDICIONES DE FUNCIONAMIENTO

La utilización de este equipo de manera diferente a la que se describe en este manual podría causar daños en el producto y anular la garantía.

De hecho, un funcionamiento incorrecto puede provocar cortocircuitos, quemaduras, descargas eléctricas, fallo del foco, etc.

¡No ponga en peligro su propia seguridad y la de los demás!

La instalación o utilización incorrecta del equipo puede ocasionar graves daños personales y materiales.

¡ADVERTENCIA!

- 1. No mire al haz de luz a una distancia inferior a 40 cm.**
- 2. No mire directamente al haz durante períodos prolongados a corta distancia.**
- 3. No mire directamente al haz utilizando instrumentos ópticos como, por ejemplo, una lupa.**



ADVERTENCIA:

Para evitar el riesgo de descarga eléctrica, no retire la tapa (o el panel posterior). Este equipo no contiene piezas que puedan ser reparadas por el usuario. Para cualquier tarea de mantenimiento o reparación, acuda a un técnico cualificado.



El símbolo de rayo dentro de un triángulo equilátero advierte al usuario de la presencia de tensión peligrosa sin aislamiento dentro de la carcasa del producto que pueden ser de magnitud suficiente como para suponer un riesgo para las personas.



El símbolo de exclamación dentro de un triángulo equilátero advierte al usuario de la existencia de importantes instrucciones de funcionamiento y mantenimiento (reparaciones) en la documentación adjunta con el equipo.



INTRODUCCIÓN:

CONTROLES

PAR 56 CAN

(CLP56RGB10PS - cromo
CLP56RGB10BS - negro)

- DMX de 4 y 6 canales
- Efectos Blackout (oscurecimiento), Dimmer (atenuación) y Strobe (estrobo)
- Control individual de los LEDs rojos, verdes y azules

CARACTERÍSTICAS

- 108 LEDs
- LEDs RGB ultrabrillantes de 10 mm
- Control por sonido mediante micrófono interno
- Velocidad de cambio del color y efecto estrobo ajustables mediante el panel de control
- Cambios multicolor
- Mezcla de colores RGB
- Funciones Maestro/Esclavo
- Se activa por sonido
- Sólida carcasa compacta
- Soporte doble
- Consumo: 20 W
- Ángulo de proyección: 25 grados
- LEDs de larga duración

CONTROLES

PAR 64 CAN

(CLP64RGB10PS - cromo
CLP64RGB10BS - negro)

- DMX de 4 y 6 canales
- Efectos Blackout (oscurecimiento), Dimmer (atenuación) y Strobe (estrobo)
- Control individual de los LEDs rojos, verdes y azules

CARACTERÍSTICAS

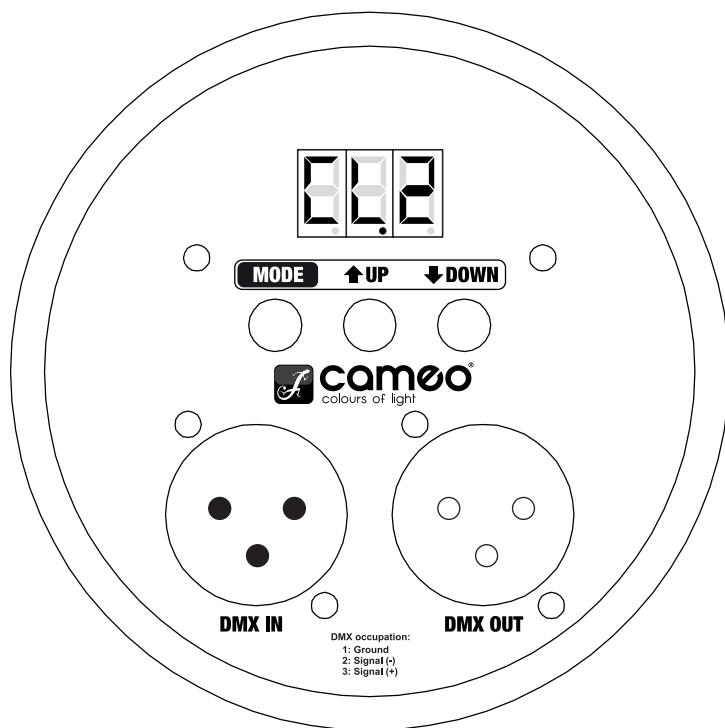
- 183 LEDs
- LEDs RGB ultrabrillantes de 10 mm
- Control por sonido mediante micrófono interno
- Velocidad de cambio del color y efecto estrobo ajustables mediante el panel de control
- Cambios multicolor
- Mezcla de colores RGB
- Funciones Maestro/Esclavo
- Se activa por sonido
- Sólida carcasa compacta
- Soporte doble
- Consumo: 30 W
- Ángulo de proyección: 25 grados
- LEDs de larga duración

INSTRUCCIONES DE USO

El foco PAR LED de Cameo es un foco con mezclador de colores RGB controlado por DMX-512, equipado con LEDs de 10 mm de alta eficiencia y ultrabrillantes. Hay tres grupos de colores (rojo, verde y azul) cuya intensidad se puede controlar individualmente, lo que permite crear una gama infinita de colores. El foco de LEDs de Cameo es ligero y funciona en modo autónomo, Maestro/Esclavo, activado por sonido o controlado por DMX-512.



PANEL POSTERIOR:



ENGLISH

DEUTSCH

FRANCAIS

ESPAÑOL

POLSKI

ITALIANO



SELECCIÓN DEL MODO:

MODO COLOR FIJO:

Pulse el botón MODE y utilice los botones UP (arriba) y DOWN (abajo) para seleccionar uno de los 7 colores siguientes: 1 rojo, 2 verde 3 azul, 4 amarillo, 5 cian, 6 violeta y 7 blanco.



MODO CAMBIO DE COLOR

Pulse el botón MODE para seleccionar la función de cambio de color. El equipo funcionará ahora en el modo Cambio de color. Pulse los botones UP (arriba) y DOWN (abajo) para seleccionar una velocidad de cambio de color de 0 a 99.



MODO ATENUACIÓN DEL COLOR (FADE)

Pulse el botón MODE para seleccionar el modo Fade. El equipo funcionará ahora en el modo Atenuación del color. Pulse los botones UP (arriba) y DOWN (abajo) para seleccionar una velocidad de atenuación de 0 a 99.



MODO AUTOMÁTICO

Pulse el botón MODE para seleccionar el modo Automático. El equipo ejecutará automáticamente el ciclo de todos los programas incorporados. La velocidad de funcionamiento se puede preajustar a través de los modos Cambio de color y Atenuación del color.



MODO ACTIVACIÓN POR SONIDO

Pulse el botón MODE para seleccionar el modo Activación por sonido. El equipo se activará ahora a través del sonido. Pulse los botones UP (arriba) y DOWN (abajo) para ajustar el nivel de sensibilidad del sonido.



MODO ESCLAVO

Una vez conectados los equipos entre sí, pulse el botón MODE de los equipos esclavos y seleccione el modo SLA (esclavo). Los equipos esclavos seguirán secuencialmente al equipo maestro (master).





MODO CONTROL DMX:

El foco PAR 56 CAN de Cameo ofrece dos modos DMX: 4 canales o 6 canales. Para acceder al modo 4 canales, pulse el botón MODE para que se ilumine el piloto rojo debajo del primer dígito de la dirección DMX. El equipo está ahora listo para operar en el modo 4 canales.



CANAL	VALOR	FUNCIÓN
1	000-255	ROJO (0-100%)
2	000-255	VERDE (0-100%)
3	000-255	AZUL (0-100%)
4	000-255	ATENUACIÓN GLOBAL (0-100%)

Para acceder al modo 6 canales, pulse el botón MODE para que se apague el piloto rojo debajo del primer dígito de la dirección DMX. El equipo está ahora listo para operar en el modo 6 canales.



CHANNEL	VALOR	FUNCIÓN
1	000-255	ROJO (0-100%)
2	000-255	VERDE (0-100%)
3	000-255	AZUL (0-100%)
4	0-255	Atenuador Maestro (0-100%)
5	0-16 17-255	Sin función Estrobo, ajuste de velocidad, ajuste de la sensibilidad del sonido
6	0-31 32-95 96-159 160-223 224-255	Sin función Mezcla de colores Cambio de colores RGB 7 cambios de colores Activación por sonido

Para cambiar del modo 4 canales al modo 6 canales, pulse varias veces el botón MODE hasta volver al modo Control DMX.

CONEXIÓN EN CADENA

- 1) Conecte el conector macho de 3 pines del cable DMX a la salida hembra de 3 pines del primer equipo.
- 2) Conecte el extremo del cable que sale de este primer equipo, que tendrá un conector hembra de 3 pines, a la entrada del equipo siguiente, que será un conector macho de 3 pines. Conecte la salida de este último equipo a la entrada del equipo siguiente, y así sucesivamente.

ENGLISH

DEUTSCH

FRANCAIS

ESPAÑOL

POLSKI

ITALIANO



CONEXIÓN DMX:

DMX-512

DMX (Digital Multiplex) es un protocolo universal utilizado como medio de comunicación entre equipos inteligentes y controladores. Un controlador DMX envía instrucciones de datos DMX al equipo. Los datos DMX se envían como datos serie que se transmiten de equipo a equipo a través de los conectores XLR "DATA IN" y "DATA OUT" que se encuentran en todos los equipos DMX (la mayoría de los controladores sólo tienen un conector "DATA OUT" de salida de datos).

CONEXIÓN DMX:

DMX es un lenguaje que permite que todas las marcas y modelos de diferentes fabricantes puedan conectarse entre sí y funcionar desde un solo controlador, siempre y cuando todos los equipos y el controlador sean compatibles con DMX. Para garantizar la correcta transmisión de los datos DMX, cuando utilice varios equipos DMX, procure utilizar la ruta de cable más corta posible. El orden en que se conectan los equipos en una cadena DMX no influye en el direccionamiento DMX. Por ejemplo, un equipo al que se le asigna la dirección DMX 1 puede colocarse en cualquier lugar de la cadena DMX, ya sea al principio, al final, o en cualquier lugar intermedio. Cuando a un equipo se le asigna la dirección DMX 1, el controlador DMX sabe que tendrá que enviar los datos asignados a la dirección 1 a dicho equipo, independientemente de dónde se encuentre en la cadena DMX.



Consulte la amplia selección de cables DMX que ofrece Adam Hall en sus gamas de productos 3 STAR, 4 STAR y 5 STAR.

Asimismo, recuerde que el cable DMX debe conectarse en cadena y no se puede dividir.

ENGLISH

DEUTSCH

FRANÇAIS

ESPAÑOL

POLSKI

ITALIANO



CABLES DMX:

ENGLISH

DEUTSCH

FRANCAIS

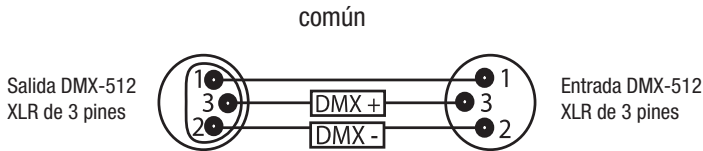
ESPAÑOL

POLSKI

ITALIANO

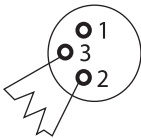
NOTA:

- Siga las instrucciones de las figuras 2 y 3 cuando fabrique sus propios cables. No conecte la malla del cable a la toma de tierra ni permita que la malla entre en contacto con la carcasa externa del XLR. La puesta a tierra de la malla puede causar un cortocircuito y un funcionamiento inestable del equipo.



NOTA ESPECIAL: TERMINACIÓN DE LÍNEA:

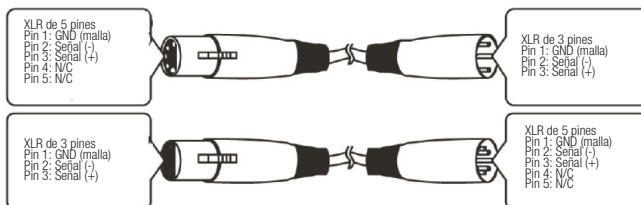
- En largas tiradas de cable, es posible que tenga que utilizar un terminador en el último equipo para evitar un funcionamiento inestable.



La terminación reduce los problemas de transmisión de la señal y las interferencias. Se recomienda conectar un terminador DMX, (resistencia de 120 ohmios y 1/4 W) entre el pin 2 (DMX-) y el pin 3 (DMX+) del último equipo.

El uso de un terminador de cable (Ref. K3DMXT3) reduce las posibilidades de un funcionamiento inestable.

- Algunos fabricantes utilizan conectores XLR de 5 pines para la transmisión de datos en lugar de 3 pines. Se pueden instalar equipos con conectores XLR de 5 pines en una cadena DMX con conectores XLR de 3 pines. Al insertar un conector XLR estándar de 5 pines en una cadena de 3 pines, deberá utilizarse un adaptador. En la siguiente figura se indican las conversiones de cable apropiadas.





CARACTERÍSTICAS TÉCNICAS:

CLP 56 WEIGHT & DIMENSIONS (WITHOUT BRACKET)

Length	250 mm
Width	250 mm
Height	230 mm
Weight	2.1 kg
Beam angle	25 °

POWER

Power consumption	20 W
AC input	230 V / 50Hz

FUSE

Main	20 mm Glass 0.5 A Fast Blow
------	-----------------------------

CONTROL & PROGRAMMING

Data input	Locking 3-pin XLR male socket
Data output	Locking 3-pin XLR female socket
Protocols	DMX-512 USITT
DMX channels	4/6 selectable

CLP 64 WEIGHT & DIMENSIONS (WITHOUT BRACKET)

Length	270 mm
Width	270 mm
Height	263 mm
Weight	2.3 kg
Beam angle	25 °

POWER

Power consumption	30 W
AC input	230 V / 50Hz

FUSE

Main	20 mm Glass 0.5 A Fast Blow
------	-----------------------------

CONTROL & PROGRAMMING

Data input	Locking 3-pin XLR male socket
Data output	Locking 3-pin XLR female socket
Protocols	DMX-512 USITT
DMX channels	4/6 selectable

ENGLISH

DEUTSCH

FRANÇAIS

ESPAÑOL

POLSKI

ITALIANO



DECLARACIÓN DEL FABRICANTE:

GARANTÍA LIMITADA

Esta garantía limitada se aplica a los productos de la marca Adam Hall, LD Systems, Defender, Palmer, Cameo y Eminence.

No afecta a los derechos de garantía legal que asume el vendedor. De hecho, le concede al usuario derechos adicionales ante Adam Hall, independientes de la garantía legal.

Adam Hall garantiza que el producto que ha adquirido de Adam Hall o de cualquier distribuidor autorizado de Adam Hall estará exento de defectos de material y mano de obra, en condiciones normales de uso, durante un período de 2 o 5 años a partir de la fecha de compra.

La garantía limitada entra en vigor el día de la fecha de compra. Para tener derecho a esta garantía será necesario presentar un justificante de compra válido en el que figure la fecha de compra del producto, por ejemplo, la factura o el albarán de entrega. Si el producto que ha adquirido necesitara una reparación durante la vigencia de la garantía limitada, tendrá derecho a obtener los servicios de garantía conforme a los términos y condiciones establecidos en este documento.

Esta garantía limitada se aplica únicamente al comprador original de este producto de Adam Hall y no se puede transferir a terceras personas a las que el comprador haya cedido la propiedad del producto. Durante el periodo de garantía limitada, Adam Hall se compromete a reparar o sustituir las piezas defectuosas del producto. Todas las piezas o componentes retirados durante la reparación pasarán a ser propiedad de Adam Hall.

En el caso poco probable de que se produzca un fallo recurrente en el producto adquirido, Adam Hall, a su entera discreción, podrá optar por sustituir dicho producto por otro de similares características.

Adam Hall no garantiza el funcionamiento ininterrumpido y sin fallos de este producto. Adam Hall no se hace responsable de los posibles daños ocasionados por no seguir las instrucciones de uso suministradas con el producto Adam Hall.

Esta garantía limitada no se aplica:

- en caso de desgaste normal de los consumibles (baterías, etc.)
- a los productos cuyo número de serie ha sido borrado, o que han quedado dañados y defectuosos debido a un accidente
- en caso de defectos ocasionados por una incorrecta utilización o manipulación, o cualquier otra causa ajena
- en caso de utilización del producto no conforme con los parámetros establecidos en la documentación facilitada con el producto
- en caso de utilización de piezas de repuesto no fabricadas o vendidas por Adam Hall
- si el producto ha sido modificado o reparado por personal no autorizado por Adam Hall

Estos términos y condiciones constituyen el acuerdo de garantía íntegro y exclusivo entre usted y Adam Hall en relación con el producto Adam Hall que acaba de adquirir.

ENGLISH

DEUTSCH

FRANCAIS

ESPAÑOL

POLSKI

ITALIANO



DECLARACIÓN DEL FABRICANTE:

LIMITACIÓN DE RESPONSABILIDAD

Si su producto Adam Hall no funciona de acuerdo con las garantías mencionadas arriba, tendrá derecho exclusivamente a la reparación o sustitución del mismo. La responsabilidad máxima de Adam Hall en virtud de los términos de esta garantía está limitada al menor importe que resulte del precio de compra del producto, del coste de la reparación o la sustitución de las piezas que han dejado de funcionar en condiciones normales de uso.

Adam Hall no será responsable de cualquier daño causado por el producto o por el mal funcionamiento del producto, incluidas la pérdida de ganancias, la pérdida de ahorros o cualquier consecuencia derivada de dichas pérdidas. Adam Hall no se hará responsable de ninguna reclamación presentada por un tercero o por el comprador inicial en nombre de un tercero.

Esta limitación de responsabilidad se aplicará con independencia de que se solicite una indemnización por daños y perjuicios, o se presenten reclamaciones por negligencia, contractuales o de cualquier otra índole, y no podrá ser derogada o modificada. Esta limitación de responsabilidad será efectiva incluso en el caso de que el comprador hubiese avisado previamente a Adam Hall o a alguno de sus representantes de la posibilidad de reclamar daños y perjuicios. No obstante, esta limitación de responsabilidad no tendrá efecto en caso de reclamación por daños personales.

Esta garantía limitada le otorga derechos legales específicos. Puede que posea derechos adicionales conforme a la legislación del país o Estado en el que se encuentre. Le recomendamos que consulte la legislación vigente en su país o Estado para conocer el alcance de sus derechos.

APLICACIÓN DE LA GARANTÍA

Para solicitar asistencia técnica en relación con el producto en garantía, póngase en contacto con Adam Hall o con el distribuidor autorizado donde adquirió el producto.

DECLARACIÓN CE DE CONFORMIDAD

Estos dispositivos cumplen con los requisitos esenciales y otras disposiciones pertinentes de las Directivas 2004/108/CE (EMC) y 2006/95/EC (LVD). Para más información, consulte www.adamhall.com.

ELIMINACIÓN CORRECTA DE ESTE PRODUCTO (DESECHOS ELÉCTRICOS)

(Aplicable en la Unión Europea y en los países europeos que dispongan de un sistema de recogida selectiva)



El símbolo que aparece sobre el producto o en la documentación adjunta indica que, al final de su vida útil, no deberá desecharse con los demás residuos domésticos. Para evitar posibles efectos negativos en el medio ambiente y en la salud humana debidos al vertido incontrolado de desechos, no mezcle este producto con los demás residuos. La recogida selectiva ayuda a su posterior reciclaje y fomenta la reutilización sostenible de los componentes de este equipo.

Si usted es un particular, deberá ponerse en contacto con el distribuidor donde adquirió este producto, o con el ayuntamiento, para informarse sobre el reciclaje adecuado de este equipo.

Si usted es una empresa, deberá ponerse en contacto con su proveedor e informarse sobre los términos y condiciones de su contrato de compra-venta. Este producto no debe mezclarse con otros residuos industriales.



DECLARACIÓN DEL FABRICANTE:

DECLARACIÓN SOBRE WEEE

Este producto LD-Systems se ha desarrollado y fabricado con materiales y componentes de alta calidad que se pueden reciclar o reutilizar. Este símbolo indica que los equipos eléctricos y electrónicos deben separarse del resto de residuos comunes al final de su vida útil.

Para desechar este producto, llévelo al punto de recogida municipal o al centro de reciclaje específico para este tipo de equipos. De este modo, contribuirá a proteger el medioambiente.

PILAS Y ACUMULADORES

Las pilas suministradas o las pilas recargables se pueden reciclar. Para desecharlas, deposítelas en un contenedor especial o entréguelas a su proveedor especializado. Para proteger el medioambiente, deseché sólo pilas gastadas.

ENGLISH

DEUTSCH

FRANCAIS

ESPAÑOL

POLSKI

ITALIANO

Adam Hall GmbH. Todos los derechos reservados. Los datos técnicos y las características funcionales del producto están sujetos a modificaciones. Se prohíbe la fotocopia, traducción y cualquier otra forma de reproducción parcial o total de este manual de usuario.



ENGLISH

DEUTSCH

FRANÇAIS

ESPAÑOL

POLSKI

ITALIANO

Dziękujemy za wybór marki Cameo Light!

Zaprojektowaliśmy ten produkt tak, aby działał niezawodnie przez wiele lat.

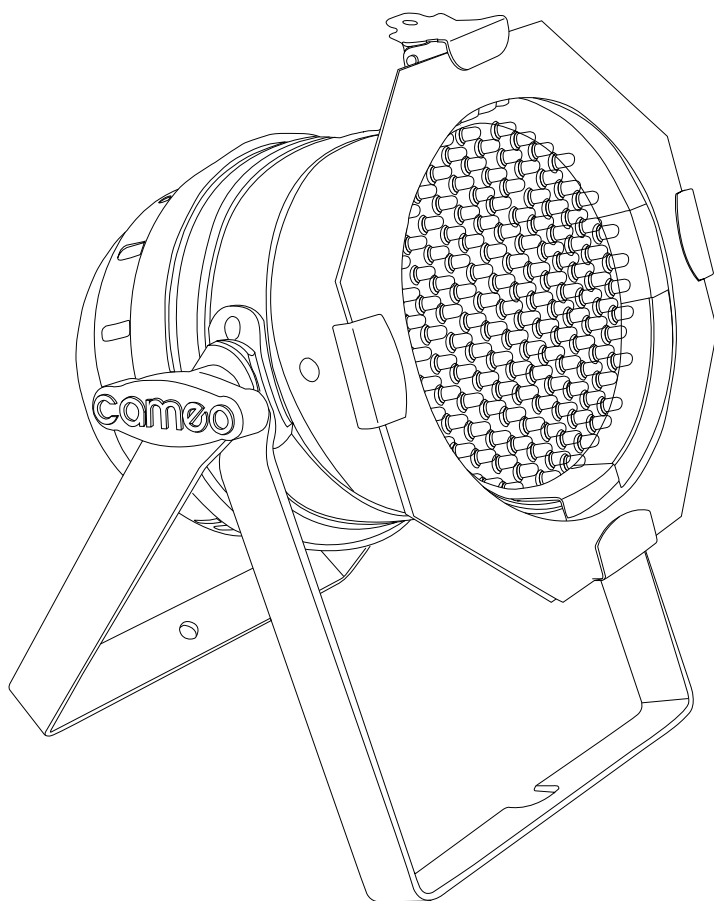
Prosimy o dokładne zapoznanie się z niniejszą instrukcją, ponieważ chcemy, abyś szybko mógł cieszyć się w pełni swoim nowym produktem Cameo Light.

Więcej informacji o marce Cameo Light znajduje się na naszej stronie internetowej WWW.CAMEOLIGHT.COM



REFLEKTOR DIODOWY PAR CAN**56** / 64

DIODY LED 10 MM CLP56RGB10 / CLP64RGB10



ENGLISH

DEUTSCH

FRANCAIS

ESPAÑOL

POLSKI

ITALIANO



ŚRODKI OSTROŻNOŚCI:

- Pod żadnym pozorem nie należy dopuszczać, by kabel zasilający stykał się z innymi kablami. Z kablem zasilającym i połączeniami napięcia sieciowego należy obchodzić się ze szczególną ostrożnością!
- W żadnym wypadku nie usuwać etykiet ostrzegawczych ani informacyjnych z urządzenia.
- Nie otwierać urządzenia ani nie wprowadzać w nim modyfikacji.
- Nie podłączać niniejszego urządzenia do ściemniacza.
- Nie włączać i wyłączać urządzenia w krótkich odstępach czasu, gdyż skraca to jego żywotność.
- Z urządzenia należy korzystać wyłącznie w pomieszczeniach zamkniętych.
- Nie narażać urządzenia na działanie źródeł ognia, płynów ani gazów.
- Przed przystąpieniem do czyszczenia urządzenia i w przypadku, gdy nie jest ono wykorzystywane, należy każdorazowo odłączać je od zasilania sieciowego! Kabel zasilający trzymać wyłącznie za wtyczkę. Nigdy nie wyciągać wtyczki, ciągnąc za kabel zasilający.
- Upewnić się, że wartość dostępnego napięcia mieści się w 230 V.
- Upewnić się każdorazowo, że kabel zasilający nie jest zgnieciony ani uszkodzony. Okresowo sprawdzać urządzenie i kabel zasilający.
- Jeżeli urządzenie zostanie upuszczone lub ulegnie uszkodzeniu, należy niezwłocznie odłączyć je od zasilania sieciowego.

Przed ponownym użyciem urządzenia należy zlecić jego sprawdzenie wykwalifikowanemu specjalistcie.

- Jeśli urządzenie było narażone na znaczne wahania temperatury (np. po transporcie), nie należy włączać go natychmiast. Powstająca kondensacja może uszkodzić urządzenie. Pozostaw urządzenie wyłączone, dopóki nie osiągnie temperatury pokojowej.
 - Jeśli produkt działa nieprawidłowo, natychmiast zaprzestań jego użytkowania. Należy zapakować urządzenie w sposób zapewniający bezpieczeństwo (najlepiej w oryginalne opakowanie) i przekazać je sprzedawcy urządzeń Cameo w celu przeprowadzenia serwisu.
 - Używaj wyłącznie bezpieczników tego samego typu i o tej samej wartości znamionowej.
 - Naprawy, serwis i podłączenie zasilania muszą być wykonywane wyłącznie przez wykwalifikowanego technika.
- NINIEJSZE URZĄDZENIE NIE ZAWIERA CZĘŚCI SERWISOWANYCH PRZEZ UŻYTKOWNIKA.**

W żadnym wypadku nie wolno używać akcesoriów ani wprowadzać modyfikacji niedopuszczonych przez producenta urządzenia.

Do pracy urządzenia należy wybrać miejsce, w którym jest ono zabezpieczone przed drganiami i w którym możliwy jest jego montaż w stałym położeniu. W przypadku montażu nad głową stosuj się do odpowiednich zasad i krajowych przepisów w zakresie bezpiecznego instalowania tego typu urządzeń.

Przed podłączeniem kabla napięcia przemiennego do gniazdka ściennego należy sprawdzić, czy wartość napięcia przemiennego i częstotliwość w sieci są zgodne z parametrami technicznymi produktu. Jeśli wtyczka sieciowa nie pasuje do gniazdka ściennego, należy niezwłocznie skontaktować się ze sprzedawcą.

Jeśli do urządzenia przedostały się płyny lub drobne przedmioty, należy natychmiast wyłączyć urządzenie i przekazać je autoryzowanemu serwisowi w celu skontrolowania bezpieczeństwa.

Odłączać urządzenie od sieci zasilającej poprzez wyciągnięcie wtyczki z gniazda ściennego lub gniazda zasilającego urządzenia na czas burzy z wyładowaniami atmosferycznymi, aby uniknąć uszkodzenia urządzenia w wyniku przepięć w sieci energetycznej.

Jeśli urządzenie działa nieprawidłowo lub doszło do uszkodzenia kabla zasilającego bądź innych części, należy natychmiast wyjąć wtyczkę zasilającą z gniazda ściennego i przekazać urządzenie autoryzowanemu serwisowi w celu sprawdzenia bezpieczeństwa.

Aby zachować funkcjonalność i bezpieczeństwo, podczas wykonywania prac związanych z konserwacją należy stosować wyłącznie oryginalne części zamienne. Ponadto należy upewnić się, że dystrybutor i/lub firma wykonująca prace konserwacyjne posiadają autoryzację producenta.



BEZPIECZEŃSTWO:

ZALECENIA ZWIĄZANE Z OBSŁUGĄ URZĄDZENIA

W przypadku obsługi urządzenia w jakikolwiek inny sposób, niż opisany w niniejszej instrukcji, produkt może ulec uszkodzeniu, zaś gwarancja ulegnie unieważnieniu.

Niewłaściwe użytkowanie urządzenia może doprowadzić do sytuacji niebezpiecznych np. zwarcia instalacji elektrycznej, oparzeń, porażenia prądem, uszkodzenia lampy itd.

Nie narażać bezpieczeństwa swojego i innych osób!

Nieprawidłowy montaż lub użytkowanie mogą spowodować obrażenia u osób i szkody materialne.

OSTRZEŻENIE!

1. Nie należy patrzeć w stronę wiązki z odległości mniejszej niż 40 cm (16 cali).

2. Nie należy patrzeć w stronę wiązki przez długi czas z niewielkiej odległości.

3. Nie należy patrzeć w wiązkę bezpośrednio przy użyciu przyrządów optycznych, na przykład szkieł powiększających.



UWAGA:

Aby zmniejszyć zagrożenie porażeniem elektrycznym, nie wolno zdejmować pokrywy (lub tylnej części obudowy). Brak elementów serwisowalnych przez użytkownika wewnątrz. Obsługę serwisową należy przekazać wykwalifikowanemu personelowi



Symbol błyskawicy wewnątrz trójkąta równobocznego ostrzega użytkownika o nieizolowanych częściach pod niebezpiecznym napięciem wewnątrz obudowy produktu, które w znaczący sposób zwiększają zagrożenie dla zdrowia i życia osób.



Znak wykrzyknika wewnątrz trójkąta równobocznego zwraca uwagę użytkownika na ważne wskazówki dotyczące obsługi i konserwacji (serwisu) umieszczone w instrukcjach i opisach dostarczonych wraz z produktem.

ENGLISH

DEUTSCH

FRANCAIS

ESPAÑOL

POLSKI

ITALIANO



WSTĘP:

FUNKCJE STEROWANIA

PAR 56 CAN

(CLP56RGB10PS - polerowana obudowa
CLP56RGB10BS - czarny)

- 4/6 kanałów DMX
- Funkcje wygaszania / ściemniania / pracy stroboskopu
- Niezależnie sterowanie diodami czerwonymi, zielonymi i niebieskimi

WŁAŚCIWOŚCI

- 108 diod LED
- Diody RGB 10 mm Ultra Bright
- Sterowanie dźwiękiem za pomocą wbudowanego mikrofonu
- Prędkość zmiany kolorów i efekt stroboskopowy regulowane z panelu sterowania
- Wielokolorowe zmiany barw
- Funkcja mieszania barw RGB
- Funkcje Master/Slave
- Aktywacja za pomocą dźwięku
- Solidna, kompaktowa obudowa
- Podwójny uchwyt
- Pobór mocy: 20 W
- Kąt wiązki: 25 stopni
- Diody LED o długiej żywotności

FUNKCJE STEROWANIA

PAR 64 CAN

(CLP64RGB10PS - polerowana obudowa
CLP64RGB10BS - czarny)

- 4/6 kanałów DMX
- Funkcje wygaszania / ściemniania / pracy stroboskopu
- Niezależnie sterowanie diodami czerwonymi, zielonymi i niebieskimi

WŁAŚCIWOŚCI

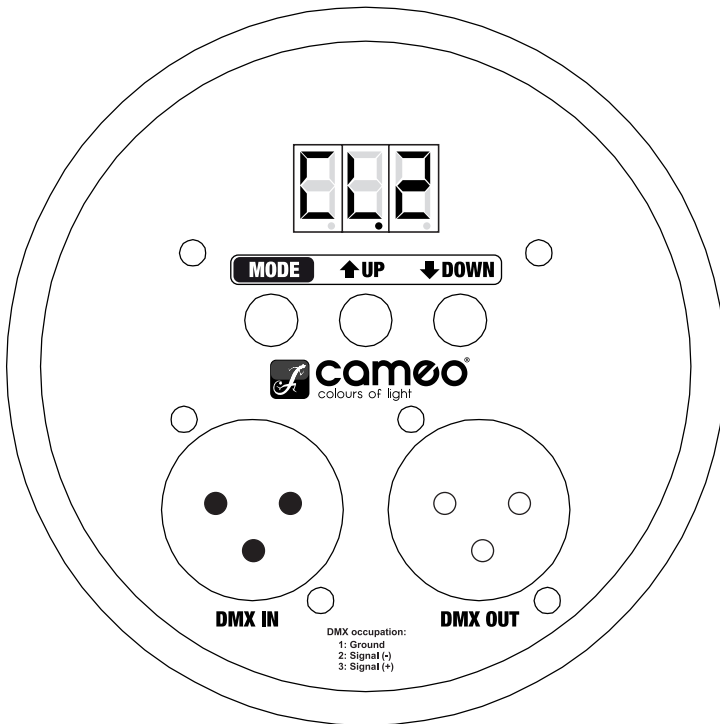
- 183 diody LED
- Diody RGB 10 mm Ultra Bright
- Sterowanie dźwiękiem za pomocą wbudowanego mikrofonu
- Prędkość zmiany kolorów i efekt stroboskopowy regulowane z panelu sterowania
- Wielokolorowe zmiany barw
- Funkcja mieszania barw RGB
- Funkcje Master/Slave
- Aktywacja za pomocą dźwięku
- Solidna, kompaktowa obudowa
- Podwójny uchwyt
- Pobór mocy: 30 W
- Kąt wiązki: 25 stopni
- Diody LED o długiej żywotności

INSTRUKCJA OBSŁUGI

Urządzenie Cameo LED CAN to sterowany za pomocą systemu DMX-512 punkt oświetleniowy z pełnym mieszaniem kolorów, wykonany z użyciem wysoko wydajnych i bardzo jasnych, 10 mm diod. Dostępne są trzy grupy kolorów (czerwony, zielony i niebieski), których natężeniem można sterować indywidualnie, co umożliwia tworzenie kolorów w nieograniczonym zakresie. Oświetlenie Cameo LED działa w trybie autonomicznym, Master/Slave, z aktywacją za pomocą dźwięku oraz ze sterowaniem za pomocą systemu DMX-512.



PANEL TYLNY:



ENGLISH

DEUTSCH

FRANCAIS

ESPAÑOL

POLSKI

ITALIANO



WYBÓR TRYBU:

TRYB KOLORU STATYCZNEGO:

Naciśnij przycisk „MODE” i za pomocą przycisków góra/dół wybierz jeden z 7 żądanych kolorów. 1 – czerwony, 2 – zielony, 3 – niebieski, 4 – żółty, 5 – błękitny, 6 – purpurowy, 7 – biały



TRYB ZMIANY KOLORU

Przyciskiem „MODE” wybierz program zmiany koloru. Urządzenie będzie wówczas pracować w trybie zmiany koloru. Przyciskami „UP” (w górę) i „DOWN” (w dół) wybierz prędkość zmiany koloru w zakresie 0 – 99.



TRYB ZANIKANIA KOLORÓW

Przyciskiem „MODE” wybierz tryb zanikania kolorów. Urządzenie będzie wówczas pracować w trybie zanikania kolorów. Przyciskami góra/dół wybierz prędkość zanikania kolorów w zakresie 0 – 99.



TRYB PRACY AUTOMATYCZNEJ

Przyciskiem „MODE” wybierz tryb automatyczny. Urządzenie wykona wówczas automatycznie wszystkie zapisane programy. Prędkość pracy można nastawić za pomocą prędkości w trybach zmiany i zanikania kolorów.



TRYB REAKCJI NA DŹWIĘK

Przyciskiem „MODE” wybierz tryb reakcji na dźwięk. Urządzenie będzie wówczas sterowane za pomocą dźwięku. Przyciskami „UP” i „DOWN” ustaw poziomy czułości na dźwięk.



TRYB SLAVE

Połącz urządzenia ze sobą i za pomocą przycisku „MODE” w urządzeniach Slave wybierz tryb SLA. Urządzenia pracujące w trybie slave będą podążać sekwencyjnie za urządzeniem głównym (master).





TRYB STEROWANIA DMX:

Urządzenie Cameo PAR 56 CAN udostępnia do wyboru dwa tryby DMX: 4- lub 6-kanałowy. Aby uzyskać dostęp do trybu 4-kanałowego, naciśnij przycisk Mode, aby zaświeciła się czerwona kropka pod pierwszą cyfrą adresu DMX. Urządzenie jest teraz gotowe do użycia w trybie 4-kanałowym



KANAŁ	WARTOŚĆ	FUNKCJA
CH1	000-255	CZERWONY (0-100%)
CH2	000-255	ZIELONY (0-100%)
CH3	000-255	NIEBIESKI (0-100%)
CH4	000-255	GLÓWNY SCIEMNIACZ (0-100%)

W celu uzyskania dostępu do trybu 6-kanałowego naciśnij przycisk „MODE”, aby NIE świecił się żaden czerwony punkt pod pierwszą cyfrą adresu DMX. Urządzenie jest teraz gotowe do pracy w trybie 6-kanałowym



KANAŁ	WARTOŚĆ	FUNKCJA
CH1	000 – 255	CZERWONY (0 – 100%)
CH2	000 – 255	ZIELONY (0 – 100%)
CH3	000 – 255	NIEBIESKI (0 – 100%)
CH4	0 – 255	Ściemniacz główny (0 – 100%)
CH5	0 – 16 17 – 255	Niewykorzystane Stroboskop / Regulacja prędkości / Regulacja czułości na dźwięk
CH6	0 – 31 32 – 95 96 – 159 160 – 223 224 – 255	Niewykorzystane Mieszanie kolorów Zmiana kolorów RGB Zmiana 7 kolorów Aktywacja za pomocą dźwięku

Aby przełączyć urządzenie z trybu 4-kanałowego na 6-kanałowy, naciskać wielokrotnie TYLKO przycisk „MODE”, aż do momentu powrotu do trybu sterowania DMX.

POŁĄCZENIE SZEREGOWE

- 1) Podłączyć 3-tykowe złącze kabla DMX (typu męskiego) do 3-tykowego złącza wyjściowego pierwszego urządzenia (typu żeńskiego).
- 2) Koniec kabla biegnącego od pierwszego urządzenia, z 3-tykowym złączem (typu żeńskiego), podłączyć do złącza wejściowego następnego urządzenia, wykonanego w postaci 3-tykowego złącza (typu męskiego). Kontynuować, podłączając wyjście zgodnie z powyższym opisem do wejścia kolejnego urządzenia

ENGLISH

DEUTSCH

FRANCAIS

ESPAÑOL

POLSKI

ITALIANO



POŁĄCZENIE DMX:

DMX-512

DMX (Digital Multiplex – multipleks cyfrowy) jest uniwersalnym protokołem wykorzystywanym do komunikacji pomiędzy inteligentnymi urządzeniami i sterownikami. Sterownik DMX wysyła instrukcje danych DMX do urządzenia. Dane DMX są przesyłane pomiędzy urządzeniami jako dane szeregowe poprzez złącza XLR DATA IN i DATA OUT, znajdujące się we wszystkich urządzeniach DMX (większość sterowników jest wyposażona tylko w złącze wyjściowe DATA OUT).

POŁĄCZENIE DMX:

System DMX umożliwia łączenie ze sobą i obsługę za pomocą jednego sterownika wszystkich marek i modeli urządzeń różnych producentów, jeśli tylko wszystkie te urządzenia i sterownik obsługują protokół DMX. Aby zapewnić prawidłowe przesyłanie danych za pomocą protokołu DMX przy korzystaniu z wielu urządzeń, zalecane jest stosowanie możliwie najkrótszych kabli. Kolejność podłączenia urządzeń do linii DMX nie wpływa na adresowanie DMX. Przykładowo, urządzenie przypisane do adresu DMX równego 1 można umieścić w dowolnym miejscu linii DMX, na początku, na końcu lub gdziekolwiek w środku. Gdy do urządzenia jest przypisany adres DMX równy 1, sterownik DMX otrzyma instrukcję wysłania danych przypisanych do adresu 1 właśnie do tego urządzenia, niezależnie od jego miejsca w łańcuchu DMX.



Zachęcamy do zapoznania się z naszą rozbudowaną ofertą kabli DMX w seriach produktów 3, 4, i 5-gwiazdkowych.

Należy też pamiętać, że kabel DMX musi być połączony szeregowo i nie można go rozgałęziać.



KABLE DMX:

ENGLISH

DEUTSCH

FRANCAIS

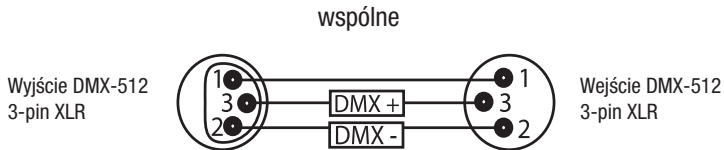
ESPAÑOL

POLSKI

ITALIANO

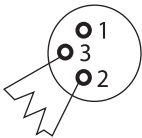
UWAGA:

- Wykonując własne kable, postępuj zgodnie z rys. 2 i 3. Nie podłączać ekranu kabla do zacisku uziemienia ani nie pozwalać, by ekran ten stykał się z zewnętrzną obudową złącza XLR. Uziemienie ekranu może spowodować zwarcie i nieprawidłowe zachowanie się urządzeń.



UWAGA SPECJALNA: ZAKOŃCZENIE LINII:

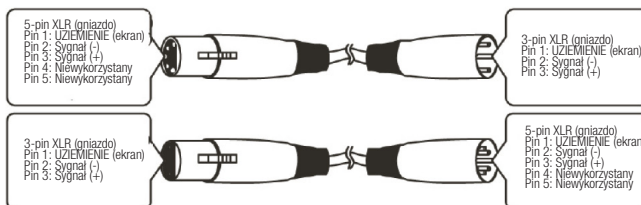
- W przypadku stosowania długich ciągów kablowych konieczne może być zastosowanie elementu zakończenia linii (tzw. terminatora) w ostatnim urządzeniu, aby zapobiec nieprawidłowej pracy urządzeń.



Zastosowanie zakończenia kabla zmniejszy możliwość wystąpienia problemów z transmisją sygnału i zakłóceniami. Zaleca się podłączenie elementu zakończenia linii DMX (rezystor 120 Ω , 1/4 W) pomiędzy wyprowadzenia 2 (DMX-) i 3 (DMX+) ostatniego z urządzeń.

Zastosowanie zakończenia kabla (nr art. K3DMXT3) zmniejszy możliwość wystąpienia niepoprawnego działania urządzeń.

- Niektórzy producenci wykorzystują do przesyłania danych 5-stykowe złącza XLR zamiast złącz 3-stykowych. Urządzenia z 5-stykowymi złączami XLR można stosować w linii DMX ze złączami 3-stykowymi. Przy łączeniu standardowych 5-stykowych złącz XLR w linii ze złączami 3-stykowymi należy zastosować przejściówkę. Poniższa tabela przedstawia w sposób szczegółowy prawidłowe użycie przejściówek.





SPECYFIKACJA:

CLP 56 WEIGHT & DIMENSIONS (WITHOUT BRACKET)

Length	250 mm
Width	250 mm
Height	230 mm
Weight	2.1 kg
Beam angle	25 °

POWER

Power consumption	20 W
AC input	230 V / 50Hz

FUSE

Main	20 mm Glass 0.5 A Fast Blow
------	-----------------------------

CONTROL & PROGRAMMING

Data input	Locking 3-pin XLR male socket
Data output	Locking 3-pin XLR female socket
Protocols	DMX-512 USITT
DMX channels	4/6 selectable

CLP 64 WEIGHT & DIMENSIONS (WITHOUT BRACKET)

Length	270 mm
Width	270 mm
Height	263 mm
Weight	2.3 kg
Beam angle	25 °

POWER

Power consumption	30 W
AC input	230 V / 50Hz

FUSE

Main	20 mm Glass 0.5 A Fast Blow
------	-----------------------------

CONTROL & PROGRAMMING

Data input	Locking 3-pin XLR male socket
Data output	Locking 3-pin XLR female socket
Protocols	DMX-512 USITT
DMX channels	4/6 selectable

ENGLISH

DEUTSCH

FRANCAIS

ESPAÑOL

POLSKI

ITALIANO



DEKLARACJE PRODUCENTA:

OGRANICZONA GWARANCJA

Ta Ograniczona Gwarancja dotyczy produktów marek Adam Hall, LD Systems, Defender, Palmer, Cameo oraz Eminence.

Niniejsza gwarancja nie wpływa na prawa gwarancyjne wynikające z przepisów lokalnych. Jest to dodatkowa, niezależna gwarancja ze strony firmy Adam Hall.

Adam Hall gwarantuje, że zakupiony produkt Adam Hall zakupiony od firmy Adam Hall lub autoryzowanego przedstawiciela Adam Hall, pozostanie wolny od wad w materiałach i wykonaniu, przy normalnym użytkowaniu przez okres 2 lub 3 lat od daty zakupu.

Okres gwarancyjny rozpoczyna się z dniem zakupu. Aby móc skorzystać z serwisu gwarancyjnego, kupujący zobowiązany jest do przedstawienia dowodu zakupu opatrzonego datą. Dokumenty takie jak paragon, faktura lub list przewozowy mogą być dowodem daty zakupu. Jeśli produkt wymienionych powyżej marek wymaga naprawy w czasie trwania okresu gwarancyjnego, nabywcy przysługują gwarancyjne usługi serwisowe zgodnie z warunkami przedstawionymi w tym dokumencie.

Niniejsza gwarancja obejmuje wyłącznie oryginalnego nabywcę produktu marki Adam Hall i nie można jej przenieść na inną osobę, która przejmie własność produktu od oryginalnego nabywcy. Podczas okresu gwarancyjnego, Adam Hall zobowiązuje się do naprawy lub wymiany wadliwych komponentów produktu. Wszystkie części i elementy wymontowane z urządzenia podczas działań serwisowych stają się własnością Adam Hall.

W mało prawdopodobnym przypadku powtórzenia się wady produktu Adam Hall, Adam Hall może zdecydować o dostarczeniu urządzenia zamiennego wybranego przez Adam Hall, które charakteryzuje się co najmniej takimi samymi parametrami jak reklamowany produkt.

Adam Hall nie gwarantuje, że eksploatacja produktu będzie przebiegać bezbłędnie lub nieprzerwanie. Adam Hall nie ponosi odpowiedzialności za uszkodzenia wynikające z niezastosowania się użytkownika do instrukcji dołączonej do produktu Adam Hall.

Ta Ograniczona Gwarancja nie dotyczy,

- części podlegających normalnemu zużyciu (np. akumulator)
- produktów, których numer seryjny został usunięty, uszkodzony lub pozbawiony czytelności wyniku wypadku
- przypadków nieprawidłowego użycia, celowego uszkodzenia lub powodów zewnętrznych
- przekroczenia dopuszczalnych parametrów pracy określonych w dokumentacji dostarczonej z produktem
- użycia części zamiennych nie pochodzących od Adam Hall
- przez modyfikację lub serwis nieprzeprowadzony przez Adam Hall

Te warunki określają kompletną i wyłączną umowę gwarancyjną między Nabywcą i firmą Adam Hall odnośnie zakupionego produktu markowego Adam Hall.

ENGLISH

DEUTSCH

FRANCAIS

ESPAÑOL

POLSKI

ITALIANO



DEKLARACJE PRODUCENTA:

OGRANICZENIE ODPOWIEDZIALNOŚCI

Jeśli Twój produkt Adam Hall nie działa prawidłowo, wskazanym i wyłącznym rozwiązaniem jest naprawa lub wymiana. Maksymalna odpowiedzialność firmy Adam Hall w związku z niniejszą gwarancją ogranicza się maksymalnie do kwoty równej cenie zakupu produktu lub kosztom naprawy lub wymiany komponentów sprzętowych, które uległy uszkodzeniu lub nie działają prawidłowo podczas normalnego użytkowania. Adam Hall nie odpowiada za jakiegokolwiek szkody spowodowane przez produkt lub awarię produktu, włącznie z utratą zysków lub oszczędności, szczególnych, przypadkowych lub powiązanych szkód. Adam Hall nie ponosi odpowiedzialności za zobowiązania użytkownika wobec stron trzecich lub zobowiązania stron trzecich wobec użytkownika.

Ograniczenie odpowiedzialności ma zastosowanie w przypadku, gdy występują roszczenia odszkodowawcze lub składane są reklamacje na podstawie niniejszej gwarancji lub jako roszczenie z tytułu czynu niedozwolonego (włączając w to zaniedbanie oraz ścisłą odpowiedzialność za produkt), roszczenie z umowy lub jakiegokolwiek inne roszczenie. Żadna osoba nie może uchylić lub zmienić tych ograniczeń odpowiedzialności. Niniejsze ograniczenie odpowiedzialności pozostaje w mocy nawet jeśli nabywca poinformował firmę Adam Hall lub jej autoryzowanego przedstawiciela o możliwości wystąpienia takich szkód. Te ograniczenia odpowiedzialności nie dotyczą roszczeń wynikających z wystąpienia obrażeń u osób.

Niniejsza Gwarancja daje Ci pewne specyficzne prawa. Mogą przysługiwać Ci również inne prawa, które różnią się między sobą zależnie od państwa nadania. Radzimy zapoznanie się z prawem właściwym krajowi zamieszkania, w celu uzyskania kompletnej wiedzy na temat przysługujących praw.

ŻĄDANIE OBSŁUGI GWARANCYJNEJ

Aby uzyskać obsługę gwarancyjną swojego produktu, skontaktuj się z firmą Adam Hall lub jej autoryzowanym przedstawicielem od którego kupiłeś produkt.

DEKLARACJA ZGODNOŚCI WE

Urządzenia te odpowiadają podstawowym wymogom i innym wytycznym dyrektyw 2004/108/EC (EMC) i 2006/95/EC (LVD). Więcej informacji na stronie: www.adamhall.com.

PRAWIDŁOWE SKŁADOWANIE TEGO PRODUKTU (ODPADY ELEKTRONICZNEI)



(Informacje mają zastosowanie w krajach członkowskich UE i innych krajach europejskich, w których obowiązuje segregacja odpadów)

Ten znak na produkcie lub dołączonej dokumentacji oznacza, że nie należy go wyrzucać wraz z domowymi odpadkami po wycofaniu z użycia. Aby zapobiec możliwym szkodom dla środowiska i ludzkiego zdrowia spowodowanym niekontrolowanym składowaniem odpadów, prosimy o oddzielenie tego produktu od innych odpadów i odpowiedzialne poddanie go recyklingowi w celu promowania ciągłego odzyskiwania zasobów materiałowych.

Użytkownicy domowi powinni skontaktować się ze sprzedawcą lub lokalnym urzędem, aby uzyskać informacje na temat przyjaznej środowisku zbiórki odpadów elektronicznych.

Użytkownicy biznesowi powinni skontaktować się ze swoim dostawcą i sprawdzić warunki kontraktu nabycia. Tego produktu nie należy mieszać z innymi odpadami komercyjnymi przy składowaniu.



DEKLARACJE PRODUCENTA:

DEKLARACJA-WEEE



Twój produkt LD Systems został zaprojektowany i wykonany z wysokiej jakości materiałów i komponentów, które można poddać recyklingowi i/lub użyć ponownie. Ten symbol oznacza, że sprzęt elektryczny i elektroniczny należy składować osobno od normalnych odpadów po zakończeniu użytkowania.

Prosimy, przekaż ten produkt do lokalnego punktu zbiórki lub centrum recyklingowego przeznaczonego dla tego typu sprzętu. W ten sposób przyczynisz się do ochrony środowiska, w którym żyjemy.

BATERIE I AKUMULATORY



Dołączone baterie lub akumulatory można poddać recyklingowi. Prosimy, składuj je jako specjalne odpady lub zwróć do punktu nabycia. W celu ochrony środowiska wyrzucaj wyłącznie zużyte baterie.

ENGLISH

DEUTSCH

FRANCAIS

ESPAÑOL

POLSKI

ITALIANO

Adam Hall GmbH, wszystkie prawa zastrzeżone. Dane techniczne i funkcjonalne produktu mogą podlegać modyfikacjom. Kopiowanie, tłumaczenie i pozostałe formy reprodukcji fragmentów lub całości tej instrukcji obsługi są zabronione.



ENGLISH

DEUTSCH

FRANCAIS

ESPAÑOL

POLSKI

ITALIANO

La ringraziamo per aver scelto un prodotto Cameo Light!

Questo prodotto è stato progettato per garantire un funzionamento affidabile per molti anni.

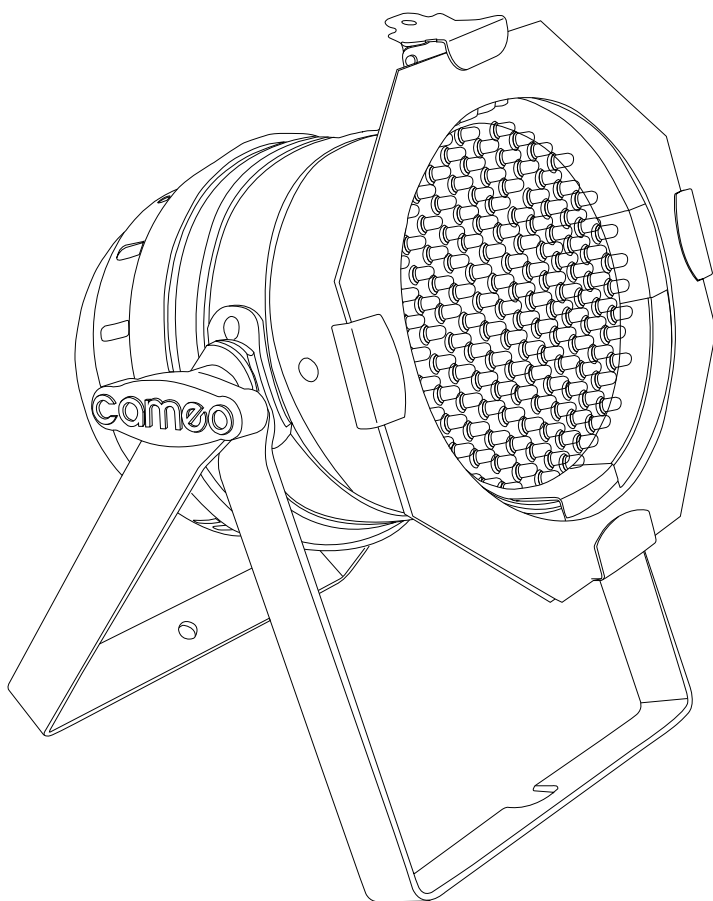
La invitiamo a dedicare un po' del suo tempo per leggere con attenzione le presenti istruzioni affinché possa sfruttare al meglio e rapidamente il suo nuovo prodotto Cameo Light.

Per maggiori informazioni su Cameo Light visiti il sito WWW.CAMEOLIGHT.COM



PAR **56 / 64** CAN

LED CANS DA 10 MM CLP56RGB10 / CLP64RGB10



ENGLISH

DEUTSCH

FRANCAIS

ESPAÑOL

POLSKI

ITALIANO



MISURE PRECAUZIONALI:

- Fare in modo che il cavo CA non venga mai a contatto con altri cavi. Maneggiare con cura il cavo CA e tutti gli altri collegamenti a tensione di rete.
- Non asportare le etichette di avviso e le etichette informative dal dispositivo.
- Non aprire il dispositivo e non modificarlo.
- Non connettere il dispositivo ad una centralina luci.
- Non accendere e spegnere il dispositivo ripetutamente a breve distanza di tempo in quanto questo riduce la vita del sistema.
- Utilizzare il dispositivo solo in ambienti coperti.
- Non esporre a fonti, liquidi e gas infiammabili.
- Disconnettere sempre l'alimentazione dalla rete quando il dispositivo non è in uso o prima di procedere alla pulizia. Per scollegare il cavo CA utilizzare sempre la spina. Non tirare mai il cavo CA per estrarre la spina CA.
- Accertarsi che la tensione di rete sia 230V.
- Assicurarsi che il cavo CA non sia piegato o danneggiato. Controllare periodicamente il dispositivo e il cavo CA.
- In caso di caduta o di danneggiamento del dispositivo scollegarlo immediatamente dalla rete di alimentazione. Far controllare il dispositivo da un tecnico qualificato prima di riutilizzarlo.
- Se il dispositivo è stato esposto a forti sbalzi di temperatura (ad es. dopo il trasporto), non accenderlo immediatamente. La condensa derivante potrebbe danneggiare il dispositivo. Non accendere il dispositivo fin quando non ha raggiunto nuovamente la temperatura ambiente.
- Se il dispositivo non funziona correttamente, interrompere immediatamente l'utilizzo. Imballare l'unità in modo sicuro, utilizzando preferibilmente l'imballo originale, e inviarlo al proprio rivenditore Cameo per l'assistenza.
- Utilizzare esclusivamente fusibili dello stesso tipo e potenza.
- Gli interventi di riparazione, manutenzione e connessione all'alimentazione devono essere effettuati esclusivamente da un tecnico qualificato. **L'UNITÀ NON CONTIENE PARTI SULLE QUALI L'UTENTE PUÒ PROCEDERE ALLA MANUTENZIONE.**
- Mai utilizzare accessori o apportare modifiche non autorizzate dal produttore dell'unità.
- Scegliere un luogo di installazione al riparo da vibrazioni e dove l'unità disponga di un posizione di montaggio fissa. In caso di installazione a muro seguire appropriate tecniche di montaggio e le normative valide nel paese di utilizzo per la sicurezza di montaggio.
- Prima di collegare il cavo CA alla presa di corrente a muro, controllare che il voltaggio e la frequenza della rete CA corrispondano a quelle richieste per il prodotto. Nel caso in cui le caratteristiche della presa CA non corrispondano a quelle della presa a muro, contattare immediatamente il proprio rivenditore.
- Nel caso in cui liquidi o piccoli frammenti residui penetrino o si introducano nell'unità, spegnere immediatamente il dispositivo e inviarlo ad un centro di assistenza autorizzato affinché vengano svolti i controlli di sicurezza.
- Scollegare l'unità dall'alimentazione CA estraendo la spina CA dalla presa a muro o dalla presa CA dell'unità durante i temporali in modo da evitare danni causati da picchi di tensione CA.
- In caso di malfunzionamento dell'unità o in presenza di danni al cavo CA o ad altre parti, rimuovere immediatamente la spina CA dalla presa a muro e inviare l'unità a un centro di assistenza autorizzato per i controlli di sicurezza.
- Per garantire la funzionalità dell'unità e la sicurezza durante le operazioni di manutenzione, tutte le parti della stessa devono essere sostituite con ricambi originali. Assicurarsi quindi che il rivenditore o l'azienda che effettua la manutenzione siano centri autorizzati dal produttore.

ENGLISH

DEUTSCH

FRANÇAIS

ESPAÑOL

POLSKI

ITALIANO



SICUREZZA:

ENGLISH

DEUTSCH

FRANCAIS

ESPAÑOL

POLSKI

ITALIANO

CONDIZIONI DI FUNZIONAMENTO

Nel caso in cui il dispositivo venga utilizzato in modo diverso da quanto previsto nel presente manuale, il prodotto potrebbe subire danni e la garanzia decadrà.

Un utilizzo improprio potrebbe causare pericoli come ad esempio corto circuiti, ustioni, scosse elettriche, guasti alle lampade, ecc.

Si invita ad evitare di mettere a repentaglio la propria sicurezza e quella degli altri.

Un'errata installazione o l'uso improprio possono causare gravi danni alle persone e alle cose.

ATTENZIONE!

- 1. Non guardare il fascio di luce da una distanza inferiore a 40 cm (16 pollici).**
- 2. Non fissare il fascio di luce da breve distanza per lunghi periodi.**
- 3. Non inquadrare direttamente il fascio di luce con strumenti ottici come lenti di ingrandimento.**



ATTENZIONE:

Per ridurre il rischio di scosse elettriche, non rimuovere il coperchio (o il retro). Non sono presenti parti su cui l'utente può effettuare operazioni di manutenzione all'interno del dispositivo. Rivolgersi a personale qualificato per effettuare le operazioni di manutenzione.



Il simbolo del fulmine con la punta di freccia all'interno di un triangolo equilatero avverte l'utente della presenza di una "tensione pericolosa" non isolata all'interno del corpo del prodotto, di magnitudine tale da costituire un pericolo per le persone.



Il punto esclamativo all'interno di un triangolo equilatero avverte l'utente della presenza di importanti istruzioni operative e relative alla manutenzione nella documentazione che accompagna l'apparecchio.



INTRODUZIONE:

FUNZIONI DI CONTROLLO

PAR 56 CAN

(CLP56RGB10PS - lucido
CLP56RGB10BS - nero)

- DMX a 4/6 canali
- Oscuramento/ varialuce / stroboscopico
- Controllo individuale dei LED rossi, verdi e blu

CARATTERISTICHE

- 108 LED
- LED RGB ultra luminosi da 10 mm
- Controllo del suono tramite microfono interno
- Velocità di variazione dei colori ed effetto stroboscopico regolabili dal pannello di controllo
- Variazioni multicolore
- Miscelazione colori RGB
- Funzioni master/slave
- Suono attivato
- Corpo robusto e compatto
- Doppio supporto
- Assorbimento di corrente: 20 W
- Angolo del fascio: 25 gradi
- LED a lunga durata

FUNZIONI DI CONTROLLO

PAR 64 CAN

(CLP64RGB10PS - lucido
CLP64RGB10BS - nero)

- DMX a 4/6 canali
- Oscuramento/ varialuce / stroboscopico
- Controllo individuale dei LED rossi, verdi e blu

CARATTERISTICHE

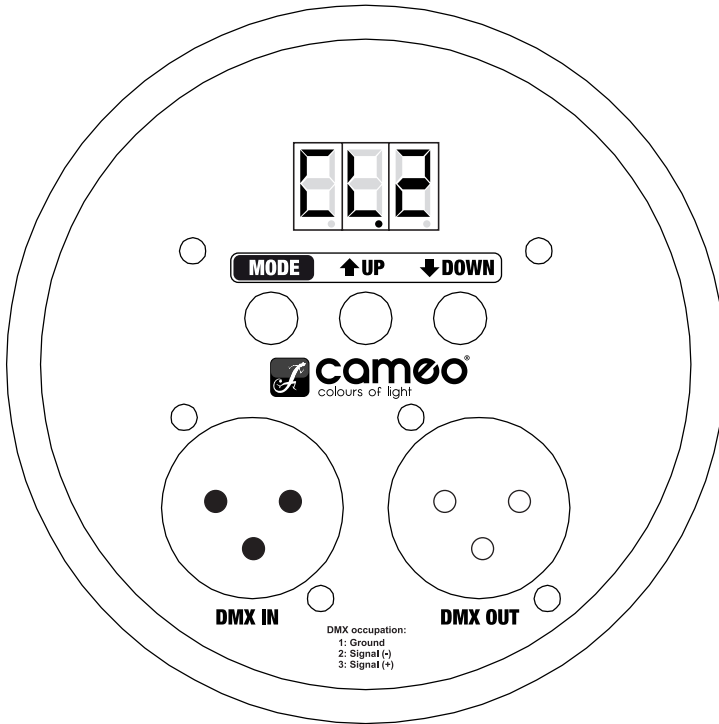
- 183 LED
- LED RGB ultra luminosi da 10 mm
- Controllo del suono tramite microfono interno
- Velocità di variazione dei colori ed effetto stroboscopico regolabili dal pannello di controllo
- Variazioni multicolore
- Miscelazione colori RGB
- Funzioni master/slave
- Suono attivato
- Corpo robusto e compatto
- Doppio supporto
- Assorbimento di corrente: 30 W
- Angolo del fascio: 25 gradi
- LED a lunga durata

ISTRUZIONI PER L'USO

Il Cameo PAR LED CAN è un DMX-512 regolabile, con fascio di luce a miscelazione dei colori RGB composto da LED ultra brillanti da 10 mm ad alta efficienza. Il sistema dispone di tre gruppi di colori (rosso, verde e blu) la cui intensità può essere regolata individualmente per creare un numero infinito di combinazioni di colori. Il Cameo LED light è in grado di operare in modalità stand-alone, master/slave, suono attivato e tramite sistema di controllo DMX-512.



PANNELLO POSTERIORE:



ENGLISH

DEUTSCH

FRANCAIS

ESPAÑOL

POLSKI

ITALIANO



SELEZIONE DELLE **MODALITÀ:**

MODALITÀ COLORE FISSO

Premere il tasto mode e usare i tasti su e giù per selezionare il colore desiderato tra i 7 disponibili. 1 rosso, 2 verde, 3 blu, 4 giallo, 5 ciano, 6 porpora, 7 bianco



MODALITÀ CAMBIO COLORI

Premere il tasto mode per selezionare il programma cambio colori. L'unità funzionerà in modalità cambio colori. Premere i tasti up e down per regolare la velocità di passaggio da un colore all'altro da 0 a 99.



MODALITÀ COLORI IN DISSOLVENZA

Premere il tasto mode per selezionare la modalità dissolvenza. L'unità funzionerà in modalità colori in dissolvenza. Premere i tasti up e down per regolare la velocità di dissolvenza dei colori da 0 a 99.



MODALITÀ ESECUZIONE AUTOMATICA

Premere il tasto mode per selezionare la modalità automatica. L'unità eseguirà in automatico tutti i programmi memorizzati in successione. La velocità di funzionamento può essere impostata nello stesso modo in cui viene impostata la velocità nelle modalità cambio colore e colore in dissolvenza.



MODALITÀ SUONO ATTIVO

Premere il tasto mode per selezionare la modalità suono attivo. L'unità funzionerà in base al suono. Premere i tasti up e down per regolare i livelli di sensibilità al suono.



MODALITÀ SLAVE

Collegare le unità tra loro e premere il tasto mode sulle unità slave per selezionare la modalità SLA. In questo modo le unità slave funzioneranno in successione dopo l'unità master.



ENGLISH

DEUTSCH

FRANCAIS

ESPAÑOL

POLSKI

ITALIANO



MODALITÀ DI CONTROLLO DMX:

Il Cameo PAR 56 CAN ha due modalità DMX tra cui scegliere, una a 4 e una a 6 canali. Per accedere alla modalità a 4 canali, premere il tasto mode fino a far apparire un punto rosso sotto la prima cifra dell'indirizzo DMX. L'unità è ora pronta ad essere utilizzata nella modalità a 4 canali.



CANALE	VALORE	FUNZIONE
CH1	000-255	ROSSO (0-100%)
CH2	000-255	VERDE (0-100%)
CH3	000-255	BLU (0-100%)
CH4	000-255	DIMMER MASTER (0-100%)

Per accedere alla modalità a 6 canali, premere il tasto mode fino a far scomparire il punto rosso sotto la prima cifra dell'indirizzo DMX. L'unità è ora pronta ad essere utilizzata nella modalità a 6 canali.



CANALE	VALORE	FUNZIONE
CH1	000-255	ROSSO (0-100%)
CH2	000-255	VERDE (0-100%)
CH3	000-255	BLU (0-100%)
CH4	0-255	Varialuce master (dimmer) (0-100%)
CH5	0-16 17-255	Nessuna funzione Regolazione stroboscopico/velocità - Regolazione suono/sensibilità
CH6	0-31 32-95 96-159 160-223 224-255	Nessuna funzione Miscelazione colori Cambio colori RGB 7 colori disponibili Attivazione del suono

Per passare dalla modalità a 4 canali a quella a 6 canali, premere ripetutamente SOLO il tasto mode fino a tornare alla modalità di controllo DMX.

COLLEGAMENTO DAISY CHAIN

- 1) Collegare il lato del cavo DMX con il connettore tripolare maschio al connettore tripolare di uscita femmina del primo apparecchio
- 2) Collegare l'estremità del cavo proveniente dal primo apparecchio con connettore tripolare femmina al connettore d'ingresso dell'apparecchio successivo che sarà un connettore tripolare maschio. Procedere nel collegamento secondo le indicazioni fornite sopra, collegando l'uscita di un apparecchio all'ingresso dell'apparecchio successivo, e così via.

ENGLISH

DEUTSCH

FRANCAIS

ESPAÑOL

POLSKI

ITALIANO



COLLEGAMENTO DMX:

DMX-512

Il DMX (Digital Multiplex) è un protocollo universale, utilizzato come mezzo di comunicazione tra dispositivi intelligenti e unità di controllo. L'unità di controllo DMX trasferisce i dati DMX contenenti le istruzioni dall'unità di controllo agli apparecchi. I dati DMX vengono inviati in serie e viaggiano da un apparecchio all'altro tramite i connettori XLR di ingresso e di uscita dei dati presenti su tutte le apparecchiature DMX (la maggior parte delle unità di controllo ha soltanto un connettore di uscita dati).

COLLEGAMENTO DMX:

Il DMX è un linguaggio che permette a tutti i prodotti di marche e modelli diversi di essere collegati tra loro ed essere gestiti da un'unica unità di controllo, fermo restando che tutti gli apparecchi e l'unità di controllo siano compatibili con il linguaggio DMX. Per assicurare una corretta trasmissione dei dati DMX, quando si utilizzano diversi apparecchi DMX si consiglia di ridurre al massimo la lunghezza del cavo. L'ordine nel quale i diversi apparecchi sono collegati all'interno di una linea DMX non influenza l'indirizzamento DMX. Ad esempio, l'apparecchio a cui è stato assegnato l'indirizzo DMX 1 può essere posizionato in qualsiasi punto della linea DMX, all'inizio, alla fine o in qualsiasi posizione intermedia. Quando ad un apparecchio viene assegnato l'indirizzo DMX 1, l'unità di controllo sa di dover inviare i dati assegnati all'indirizzo 1 a quell'unità, indipendentemente dalla posizione che occupa all'interno della catena DMX.



Si invita a consultare l'ampia gamma di cavi DMX delle serie 3 STAR, 4 STAR e 5 STAR offerti da Adam Hall.

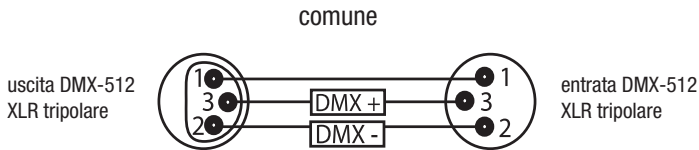
Si ricorda inoltre che il cavo DMX deve essere disposto in configurazione daisy chain e non può essere sdoppiato.



CAVI DMX:

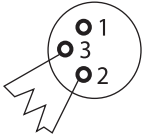
N.B.:

- Assicurarsi di seguire le istruzioni riportate nelle figure 2 e 3 quando si procede alla fabbricazione dei propri cavi. Non collegare il conduttore schermato del cavo al capocorda di messa a terra ed evitare che il conduttore schermato venga a contatto con il rivestimento esterno del connettore XLR. La messa a terra della schermatura potrebbe provocare un corto circuito o un malfunzionamento.



IMPORTANTE! TERMINAZIONE DI LINEA:

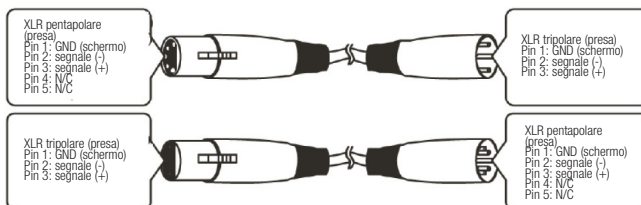
- quando si utilizzano cavi molto lunghi potrebbe essere necessario utilizzare un terminatore sull'ultima unità per evitare malfunzionamenti.



Il terminatore riduce i problemi di trasmissione del segnale e le interferenze. È sempre consigliabile collegare un terminatore DMX (resistenza 120 Ohm 1/4W) tra il pin 2 (DMX-) e il pin 3 (DMX+) dell'ultimo apparecchio.

L'utilizzo di un terminatore per cavi (art. nr. K3DMXT3) ridurrà la possibilità di comportamenti scorretti.

- Alcuni produttori utilizzano connettori XLR pentapolari per la trasmissione dati al posto dei connettori tripolari. Gli apparecchi dotati di connettori XLR pentapolari possono essere utilizzati in una linea DMX con XLR tripolari. Quando si collega un connettore XLR pentapolare standard ad una linea tripolare è necessario utilizzare un adattatore. Nel grafico sottostante sono indicate le corrette conversioni dei cavi.



ENGLISH

DEUTSCH

FRANCAIS

ESPAÑOL

POLSKI

ITALIANO



SPECIFICHE:

CLP 56 WEIGHT & DIMENSIONS (WITHOUT BRACKET)

Length	250 mm
Width	250 mm
Height	230 mm
Weight	2.1 kg
Beam angle	25 °

POWER

Power consumption	20 W
AC input	230 V / 50Hz

FUSE

Main	20 mm Glass 0.5 A Fast Blow
------	-----------------------------

CONTROL & PROGRAMMING

Data input	Locking 3-pin XLR male socket
Data output	Locking 3-pin XLR female socket
Protocols	DMX-512 USITT
DMX channels	4/6 selectable

CLP 64 WEIGHT & DIMENSIONS (WITHOUT BRACKET)

Length	270 mm
Width	270 mm
Height	263 mm
Weight	2.3 kg
Beam angle	25 °

POWER

Power consumption	30 W
AC input	230 V / 50Hz

FUSE

Main	20 mm Glass 0.5 A Fast Blow
------	-----------------------------

CONTROL & PROGRAMMING

Data input	Locking 3-pin XLR male socket
Data output	Locking 3-pin XLR female socket
Protocols	DMX-512 USITT
DMX channels	4/6 selectable

ENGLISH

DEUTSCH

FRANCAIS

ESPAÑOL

POLSKI

ITALIANO



DICHIARAZIONI DEL PRODUTTORE:

GARANZIA DEL PRODUTTORE

Le seguenti condizioni di garanzia si applicano ai prodotti dei marchi Adam Hall, LD Systems, LD Premium, Defender, Palmer, Cameo e Eminence.

La presente dichiarazione di garanzia non influisce sui diritti di garanzia del produttore previsti dalla legge, ma estende ulteriormente tali diritti anche nei confronti della ditta Adam Hall.

Adam Hall garantisce per un periodo di due o cinque anni dalla data di acquisto che questo prodotto Adam Hall acquistato direttamente dall'azienda o attraverso un rivenditore autorizzato, se utilizzato correttamente, è privo di difetti di materiale e manodopera.

Il periodo di garanzia ha inizio dalla data di acquisto del prodotto che, nel caso in cui si voglia usufruire della garanzia, va adeguatamente documentata tramite la presentazione dello scontrino o della bolla di consegna con la data di acquisto. Qualora, entro il periodo di garanzia, i prodotti di una delle marche sovraindicate necessitano di interventi di riparazione, l'utente ha diritto ad usufruire del servizio alle condizioni indicate nel presente documento.

Questa garanzia del produttore è valida esclusivamente per il primo proprietario del prodotto Adam Hall e non si può trasferire ad un eventuale proprietario successivo. Entro il periodo di garanzia, Adam Hall si fa carico della riparazione o della sostituzione dei componenti o degli apparecchi difettosi. Tutti i componenti o i prodotti sostituiti usufruendo della garanzia del produttore diventano di proprietà di Adam Hall.

Nel caso improbabile che il prodotto acquistato presenti ripetuti malfunzionamenti, la ditta Adam Hall è autorizzata a sostituire a propria discrezione il prodotto difettoso con un altro, a patto che il nuovo prodotto sia di uguale valore rispetto a quello vecchio per quanto riguarda le caratteristiche hardware.

Adam Hall non garantisce che il prodotto sia perfettamente funzionante e/o senza difetti. Inoltre, Adam Hall non risponde di danni derivanti dall'inosservanza delle indicazioni riportate nelle istruzioni d'uso fornite con il presente prodotto e in altra documentazione.

La garanzia del produttore non copre:

- parti soggette ad usura (es. accumulatori),
- apparecchi dai quali è stato rimosso il numero di serie o il cui numero di serie risulta illeggibile a causa di danneggiamenti causati dall'utente,
- danni derivanti da uso errato o improprio o altre cause esterne,
- danni ad apparecchi che non sono stati utilizzati secondo i parametri di funzionamento (parametri indicati nella documentazione contenuta nella confezione),
- danni derivanti dall'utilizzo di componenti non prodotti o distribuiti da Adam Hall,
- danni derivanti da interventi, modifiche o riparazioni non effettuate da Adam Hall.

Le presenti condizioni costituiscono l'accordo di garanzia completo ed esclusivo tra l'acquirente e la Adam Hall per il prodotto Adam Hall acquistato.

ENGLISH

DEUTSCH

FRANCAIS

ESPAÑOL

POLSKI

ITALIANO



DICHIARAZIONI DEL PRODUTTORE:

LIMITAZIONI DI RESPONSABILITÀ

Nel caso in cui, durante il periodo di garanzia, i prodotti hardware Adam Hall presentino difetti di materiale o di lavorazione (in base alla dichiarazione di garanzia precedente), il solo ed unico diritto del cliente previsto dalla presente garanzia è quello di riparazione o sostituzione dell'apparecchio. La massima responsabilità di Adam Hall è limitata, come espressamente indicato nella garanzia, al prezzo d'acquisto o ai costi per la riparazione o la sostituzione (e in questo caso per l'importo minore) dei componenti hardware difettosi in caso di uso corretto degli stessi.

Adam Hall non è responsabile per eventuali danni provocati dal prodotto o dal malfunzionamento dello stesso, compresi mancati guadagni, perdite e danni speciali indiretti o conseguenti. Inoltre Adam Hall è indenne da richieste avanzate da terzi o dal cliente in nome di terzi.

La presente limitazione di responsabilità vale indipendentemente dal fatto che i danni siano oggetto di procedimenti giudiziari o che siano oggetto di risarcimento danni ai sensi della presente garanzia o per atti illeciti (incluse negligenza e responsabilità oggettiva) o per pretese contrattuali o di altra natura, e non può essere né annullata né modificata. La presente limitazione di responsabilità è valida anche nel caso in cui l'utente abbia avvisato Adam Hall o un rappresentante autorizzato di possibili danni. Tale limitazione non è però valida in caso di richieste per risarcimento danni in relazione a danni a persone.

La garanzia del produttore permette di godere di determinati diritti. A seconda della giurisdizione competente (dello stato o della regione in cui si risiede) è possibile ottenere ulteriori diritti. Si consiglia quindi di consultare le leggi applicabili per determinare l'insieme dei diritti di cui si può godere.

RICORSO ALLA GARANZIA

Per usufruire della garanzia rivolgersi direttamente a Adam Hall o al rivenditore autorizzato Adam Hall, dal quale è stato acquistato il prodotto.

CE DICHIARAZIONE DI CONFORMITÀ

Questi dispositivi soddisfano i requisiti essenziali e le altre disposizioni pertinenti delle direttive 2004/108/CE (EMC) e 2006/95/EC (LVD). Per ulteriori informazioni, vedere www.adamhall.com.

CORRETTO SMALTIMENTO DEL PRODOTTO ("RIFIUTI ELETTRONICI")

(Valido nei paesi dell'Unione europea e in altri paesi con sistema di smaltimento differenziato dei rifiuti)



Questo simbolo sul prodotto o sui documenti relativi ad esso sta ad indicare che l'apparecchio alla fine del suo ciclo di vita non deve essere smaltito insieme ai normali rifiuti domestici, in modo tale da evitare eventuali danni ambientali e alle persone causati da uno smaltimento incontrollato dei rifiuti. Si prega di smaltire questo prodotto separatamente da altri rifiuti e promuovere così lo sviluppo di cicli economici sostenibili con il riciclaggio. I privati cittadini possono ricevere informazioni sulle possibilità di smaltimento sostenibile presso il venditore dal quale è stato acquistato il prodotto o presso le autorità regionali competenti. I professionisti devono invece contattare il loro fornitore di fiducia e controllare le eventuali condizioni contrattuali per lo smaltimento degli apparecchi. Questo prodotto non deve essere smaltito assieme ad altri rifiuti industriali.



DICHIARAZIONI DEL PRODUTTORE:

DICHIARAZIONE RAEE



Il prodotto LD Systems acquistato è stato realizzato tramite l'utilizzo di materiali e componenti di qualità che possono essere riciclati o riutilizzati. Questo simbolo indica che gli apparecchi elettronici non vanno smaltiti assieme ai normali rifiuti domestici indifferenziati. Si prega di smaltire questo apparecchio a norma di legge presso un punto di raccolta per rifiuti elettronici contribuendo così alla salvaguardia dell'ambiente.

BATTERIE E PILE



Le batterie incluse nella confezione possono essere riutilizzate. Non gettare quindi le batterie nei normali rifiuti domestici, ma in contenitori appositi per la loro raccolta. Aiutate a mantenere pulito l'ambiente.

ENGLISH

DEUTSCH

FRANCAIS

ESPAÑOL

POLSKI

ITALIANO

Adam Hall GmbH, tutti i diritti riservati. I dati tecnici e le caratteristiche del prodotto possono essere soggetti a modifiche. È vietata la copia, la traduzione e qualsiasi altra riproduzione delle presenti istruzioni d'uso o di parte di esse senza previa autorizzazione.



WWW.CAMEOLIGHT.COM

Adam Hall GmbH | Daimlerstrasse 9 | 61267 Neu-Anspach | Germany
Tel. +49(0)6081/9419-0 | Fax +49(0)6081/9419-1000
web : www.adamhall.com | e-mail : mail@adamhall.com

