



ADMIRAL
STAGING

Original user manual

SHARK[®]

TENT CLAMP



Manufacturer:

Rolight Theatertechniek B.V.

Josink Kolkweg 10

7545 PR Enschede , The Netherlands

Phone (+31)53 432 06 44

info@rolight.nl

www.rolight.nl

Distributed by ADMIRAL



VERSION 01
November 2022
SKU: RIHASH04

www.admiralstaging.com

0. CONTENTS

0. CONTENTS
1. INTRODUCTION
2. SAFETY INSTRUCTIONS
3. SCOPE
4. LIMITATIONS OF USE
5. TECHNICAL DATA & LOADCHART
6. IDENTIFICATION
7. EXPLANATION OF THE ENGRAVING
8. ASSEMBLY INSTRUCTIONS
9. DISASSEMBLY INSTRUCTIONS
10. STORAGE
11. MAINTENANCE & REJECTION CRITERIA
12. WARRANTY
13. EC DECLARATION OF CONFORMITY

1. INTRODUCTION

The ADMIRAL SHARK clamp is intended to hang loads from keder type tent beams.

In this manual ELL stands for Entertainment Load Limit. Meaning the device has a inherent double safety factor (8:1) and is therefore suitable to suspend loads above persons. The SHARK is also designed to meet the German regulation for loads above persons DGUV17/18 (formerly known as BGVc1).

ADMIRAL has endeavoured to deliver the highest degree of accuracy possible. However continuous improvement of our products is ADMIRAL policy. Therefore product specifications are subject to change without notice.

Readers and users are encouraged to notify ADMIRAL of errors and send in suggestions for improvements. All communications will be carefully considered for future printings of this manual and changes to our products.

2. SAFETY INSTRUCTIONS

This user manual must be read and understood prior to assembly, setup and servicing. All people using and servicing the SHARK must familiarise themselves with the safety instructions and user guidelines written in this manual. This manual needs to be accessible for all users at all times.

LEGEND



DANGER

DANGER: Indicates a hazardous situation which, if not avoided, will result in death or serious injury.
This signal word is to be limited to the most extreme situations.



WARNING

WARNING: Indicates a hazardous situation which, if not avoided, could result in death or serious injury.



CAUTION

CAUTION: Indicates a hazardous situation which, if not avoided, could result in minor or moderate injury.

NOTICE

NOTICE: Addresses practices not related to personal injury.

SAFETY INSTRUCTIONS

SAFETY INSTRUCTIONS: Is used for lists of steps, procedures or instructions that might otherwise substitute a DANGER, WARNING or CAUTION notification.
Note that equivalent phrases, such as SAFE OPERATION PROCEDURES or SAFE SHUT DOWN PROCEDURE, can be used in place of the words "SAFETY INSTRUCTION".



CAUTION

DO NOT lift or load above people without the following precautions:

- A SHARK must be taken out of services immediately if, during use, repair or maintenance damages are discovered.
- Remove people from the area during installation.
- Use solely instructed and/or trained personnel.
- Wear appropriate Personal Protective Equipment (PPE) such as hard hats and gloves during installation.
- Make sure there is adequate amount of working light during installation of the product.

3. SCOPE

The intended use of the SHARK is to create a temporary hanging point for loads of maximum 200kg installed above people from appropriate keder profiles within the entertainment industry. Temporary is in general a period no longer than 90 days.

Loads can be truss, sound systems, set pieces or hoists.

Any other way of use is considered to be a case of misuse. Solely the user is liable for any damage or injury resulting from such cases.



WARNING

Check local legislation for the application of use.

4. LIMITATIONS OF USE



WARNING

Exceeding the limitations of use can severely endanger the audience and users.



WARNING

Dynamic factor of lifting must be considered separately.

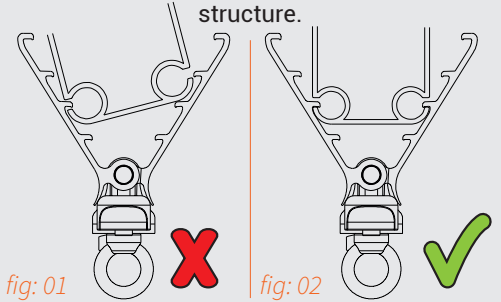
- The SHARK can be used on keder beams with a width between 40 mm and 125 mm.
- The SHARK can be operated from -20° up to 60° Celsius.
- Do not exceed the maximum ELL (entertainment load limit) stated on the product.
- Make sure the resulting forces on the supporting structure are approved by a competent person before applying the load.
- To determine the maximum suspended load on the product, all imposed loads shall be considered. e.g. the dynamic factor caused by the lifting machinery.
- Sound systems can be suspended but users must check regular the integrity of the clamp as severe vibrations could loosen bolts / knobs .
- The SHARK must be inspected by a competent person as often as required but with a minimum of 1 x per year. Records of these inspections must be kept.
- Inspect equipment before every use. A damaged SHARK shall be taken out of service.
- Outdoor use shall be approved by a competent person and might influence the load capacity. Do not expose the product to full rain or snow. Outdoor use is the sole responsibility of the operator.
- In case of use in the vicinity of saltwater, the product shall be rinsed regularly with fresh water to avoid corrosion.
- It is also imperative to observe the local accident prevention regulations and/ or occupational health and safety regulations.
- The support structure, on which the SHARK is used, must have lightning protection when used

outdoors.

- The support structure, on which the SHARK is used, might need to have electric potential bonding.
- Do not use the SHARK to guide currents for electric potential bonding.
- Make sure the SHARK clamp and the supporting structure are dry and free of dirt.
- Use appropriate packaging to transport the Products. e.g. a flightcase.
- Solely use by ADMIRAL approved parts to replace damage or lost parts.
- Do not re-zinc steel components as they might be subject to hydrogen embrittlement.

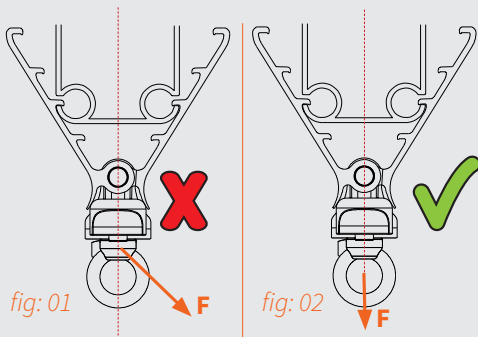
WARNING

Do not suspend the SHARK as shown below (fig 01). It creates torsional forces and influences the stability of the supporting structure.



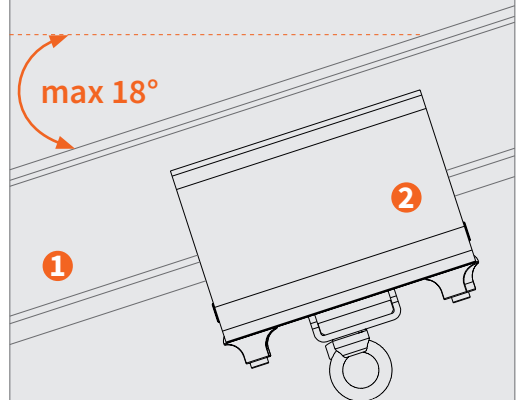
WARNING

Do not apply lateral loading (fig 01) but medial (fig 02).



WARNING

Installation is permitted only on a load-bearing keder type beam and with an inclination of max 18dgr as per fig: 01. If necessary, the load capacity of the keder beam is to be acquired from the manufacturer and/or operator.



WARNING

The allowable load from the SHARK strongly depends on the types of keder beams used for the supporting structure. A load that is too heavy can cause the structure to fail.

CAUTION

Do not throw the SHARK, as it might damage the product.

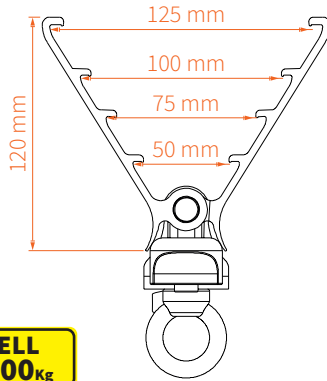
(fig: 01)

- 1 Keder tent profile
- 2 SHARK keder clamp

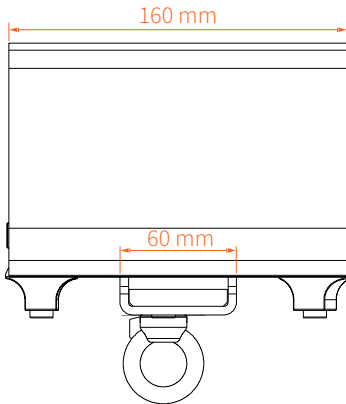
5. TECHNICAL DATA & LOADCHART

Applicable Directives, Regulations, Standards and Information Papers

Front view



Side view



The following directive is applicable

2006/42/EC

Machinery directive

The following regulation is used

DGUV regulation 17

Regulations for stages and studios

(Formerly known as BGVc1)

Parts of the following standards and information papers are used

DGUV Information

Safety at productions and events for television, radio, film, theatre,

215-313

exhibitions: Loads above persons

(Formerly known as BGI 810-3)

EN 17206:2020

Lifting and load bearing equipment for stages and other production areas within the entertainment industry

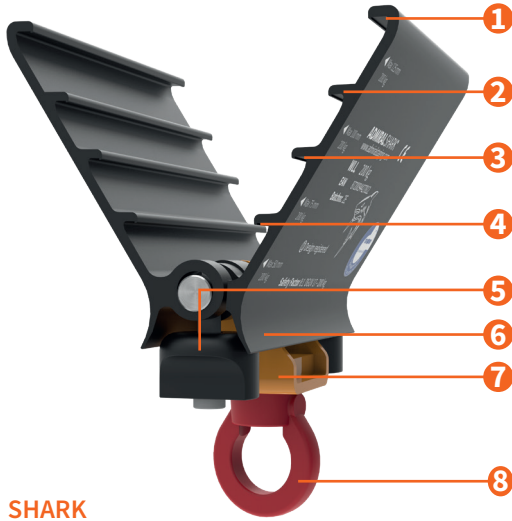
BS 7905-1:2001

Lifting equipment for performance broadcast and similar applications. Part 1 specifications for the design and manufacture of above stage equipment

Technical data

Article code:	RIHASH04
EAN:	8720094427812
ELL:	200 kg (2000 N)
Safety factor against failure:	8:1
Static test coefficient:	1,5 : 1
Material:	aluminium anodized
Dimensions:	160 x 40 x 120 mm (L x W x H)
Weight:	2.3 kg
Colour:	black

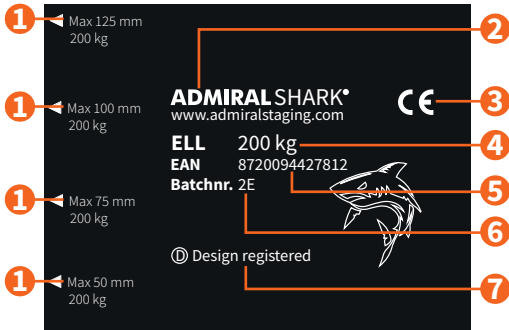
6. IDENTIFICATION



SHARK

- 1** Beamsize 125 mm **5** 2 securing screws
- 2** Beamsize 100 mm **6** Pushblade
- 3** Beamsize 75 mm **7** Lifting eye mounting plate
- 4** Beamsize 50 mm **8** Rotable eyebolt

7. EXPLANATION OF THE ENGRAVING



SHARK engraving

- 1** This indicator indicates where to align the SHARK to fit a 50, 75, 100 or 125mm beam/profile and which Working Load Limit is applicable
- 2** Brand and product name
- 3** CE Marking
- 4** Entertainment Load Limit
- 5** EAN code
- 6** Batch number*
- 7** Icon Design registered

*Based on the Batch number ADMIRAL is able to trace the date of manufacturing

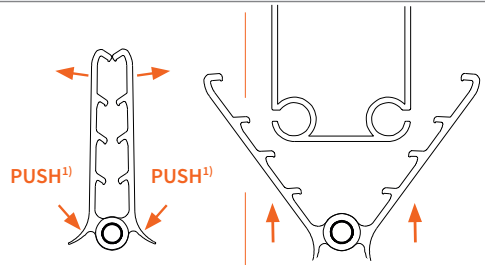
8. ASSEMBLY INSTRUCTIONS

WARNING

Inspect the SHARK before use. Make sure all components are in place and in good order. If damaged, mark the item clearly and take out of service*.

Make sure the SHARK and the kedar beam are dry and free from dirt.

*See chapter 11 for further instructions!



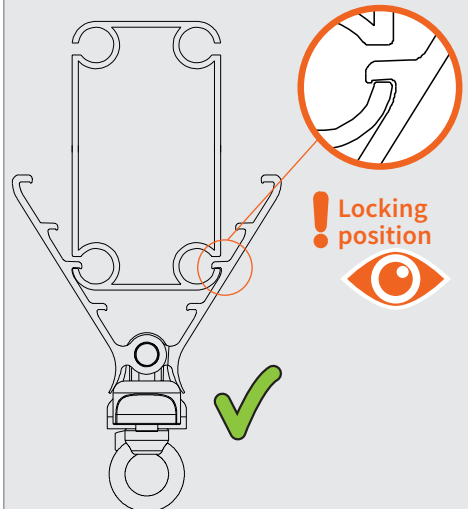
Step 1

Choose which width the SHARK needs to be. Open the clamping jaws in the desired width by pushing³⁾ the bottom of the SHARK.

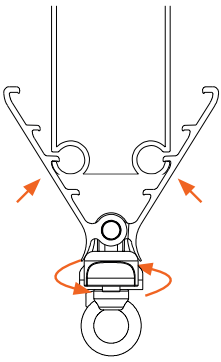
Step 2

Position both of the SHARK's clamping jaws in the profile's groove or on the beam's supporting surface.

WARNING

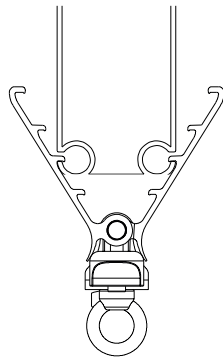


9. DISASSEMBLY INSTRUCTIONS



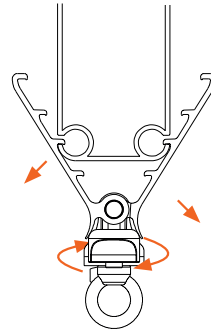
Step 3

Push the jaws of the SHARK against the beam and manually tighten the two screws to secure the SHARK. Tools shall not be used. Tighten the two screws, item 5 chapter 7, hand tight (15Nm).



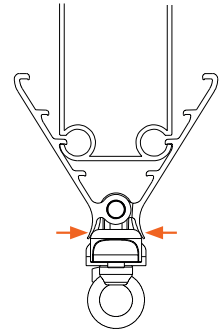
Step 4

Once installed, check if the SHARK is appropriately mounted by pulling it from the lifting eye from left to right and from front to back. Tighten the two screws again. If the SHARK moves, re-install and check the cause.



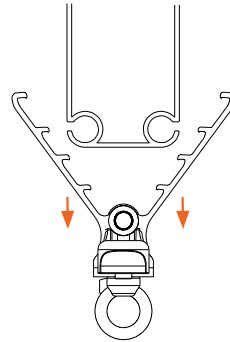
Step 1

Turn the two screws in a left direction in order to loosen the clamp.



Step 2

Press the push blades inwards to open the shark.



Step 3

Slide the SHARK down from the beam.



WARNING

Check the integrity of the shark after severe vibrations caused by sound systems or if the supporting structure was subject to severe vertical movement e.g. due to winds.

10. STORAGE

The SHARK must be stored in a dry, non-aggressive environment.

- Make sure the parts cannot bend.
- Avoid vibrations. Rubbing parts can cause excessive wear and tear.

11. MAINTENANCE & REJECTION CRITERIA

SAFETY INSTRUCTIONS

The SHARK hardly needs any maintenance under normal use and environmental circumstances.

For safety reasons however, all parts must be checked regularly for dirt, damages, loss and corrosion.

The SHARK shall be checked in compliance with the local law by a competent person. Checking shall take place as often as required but with a minimum of 1x per year. In case of doubt contact ADMIRAL Staging.



WARNING

If damaged, mark the item clearly and take it out of service.

- Missing or damaged eyebolts should be replaced by genuine ADMIRAL eyebolts only. Tighten the eyebolts with a torque wrench set at 15 NM.
- Check all components for damages like cracks, deformations, scratches and and corrosion. Damaged and corroded parts shall be rejected and thrown away.
- In general, scratches > 10% of the wall thickness mean the products needs to be rejected from use.
- In general, deformations > 10% of a straight line from the outer surface mean the products needs to be rejected from use.
- Remove all sharp and rough feeling edges and surfaces by using sand paper or a file.
- Check roll pins and welds for cracks. If cracked, replace.

12. WARRANTY

- For a period of 24 months we will repair, free of charge, any damage attributable to faulty materials or workmanship under the condition that the equipment is forwarded, freight paid, to our warehouse or one of the ADMIRAL Staging distributors ware houses.
- The warranty-period begins with the day of the delivery, proven by a purchase receipt like an invoice or delivery note or their copies.
- The warranty does not cover damage due to transport, negligent handling, overloading the equipment or parts subject to normal wear and tear signs. Nor damages that originate from a case of misuse because of nonobservance of the safety regulations in this instruction manual.
- The warranty will be invalid when other parts than the original ADMIRAL Staging parts have been used or modifications of our design have been made by third parties.
- Warranty repairs do not renew nor extend the warranty-period.
- In case of a claim that falls under the warranty , e.g. a malfunction or spare part requirements please contact your point of sale or ADMIRAL Staging.
- The manufacturer is not liable for indirect consequential damage and financial loss.
- The manufacturer shall not be liable for any changes made to the SHARK parts nor for any damage resulting from such changes.

13. EC DECLARATION OF CONFORMITY



EC-DECLARATION OF CONFORMITY FOR MACHINERY (2006/42/EG Annex II)

Rolight Theatertechniek
Josink Kolkweg 10
7545 PR Enschede
The Netherlands

Herewith declares that:

ADMIRAL "SHARK Tent clamp"; Article code RIHASH04

- is in compliance with the Machinery Directive 2006/42/EEC annex II
- the following harmonized standards have been applied (or parts/clauses of): EN 12100-1-2010
- the following technical regulations , standards and information papers have been used (parts/clauses of): German DGUV 17-18, German DGUV 215-313, EN 10204:2004, EN 17206 :2020, BS 7905-1:2001
- All Shark Clamps are tested with a static test coefficient of 150 % of the work load

Enschede , The Netherlands 15-September-2022

Ms. E. Dijk
Owner Rolight Theatertechniek b.v.



Rolight

