



ADMIRAL
STAGING

THE BRICK[®]

The Brick allows you to stack your truss quickly and easily, while also keeping it safe from scratches during handling and transport. Once secured with a cable tie, the Brick stays firmly attached to your truss, providing a convenient and permanent solution for quick stacking every time.



KEY FEATURES

Prevents scratching

The Brick prevents the truss from being scratched during stacking or while resting on the ground.

Easy installation

Simply fasten the Brick to your truss with a cable tie. If needed, it can be easily removed by cutting the cable tie.

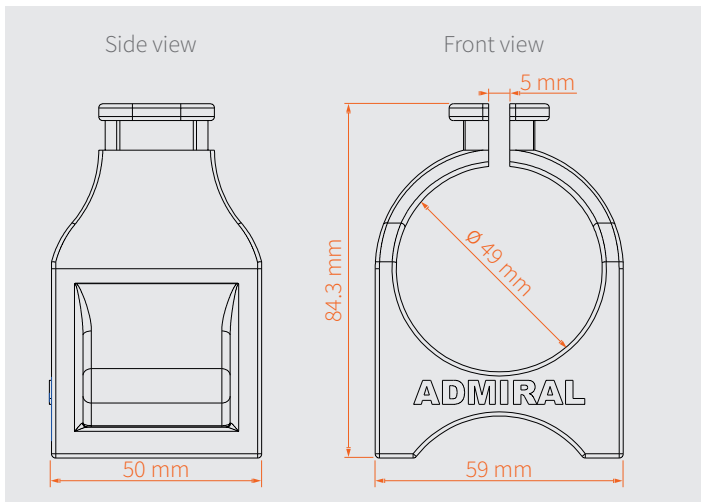
Durable and lightweight

The Brick has a robust construction, made of strong yet lightweight rubber.

© Design registered in the EU and UK

www.admiralstaging.com

DIMENSIONS



TECHNICAL DATA

The Brick

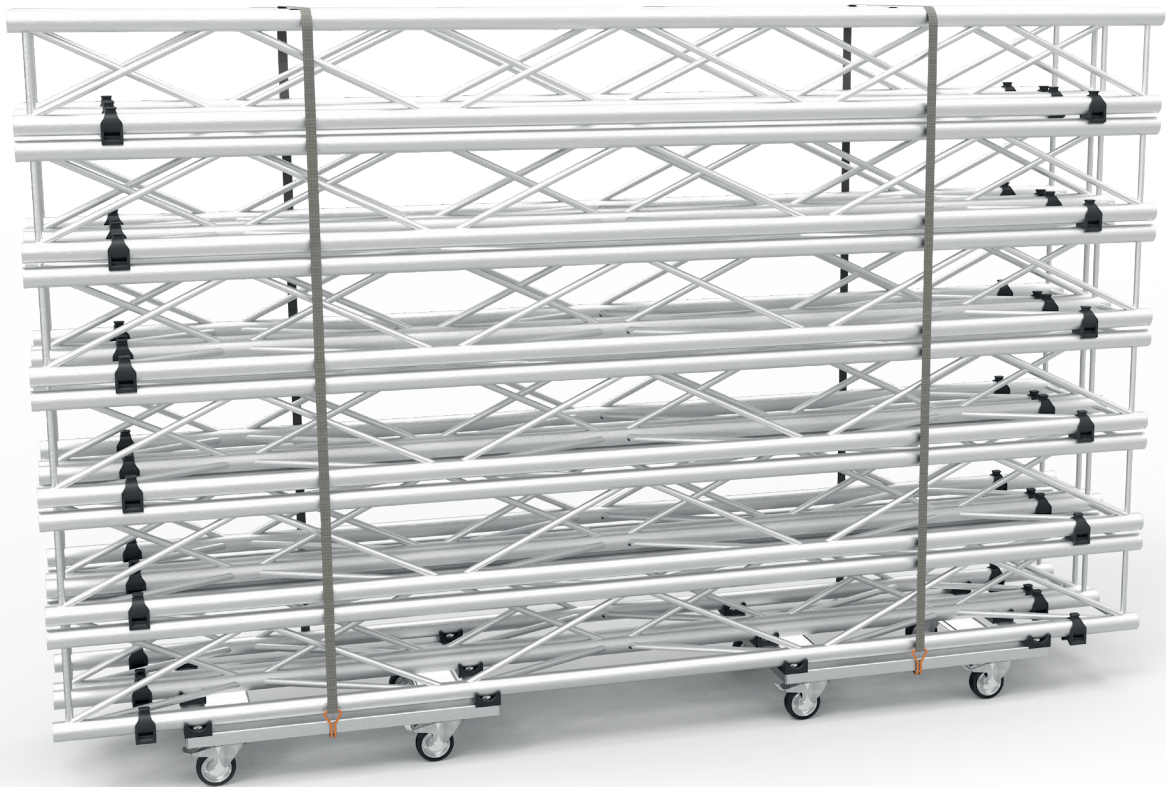
Article code:	WASRD48
EAN:	8720094420196
Material:	rubber
Dimensions:	59 x 50 x 84.3 mm (L x W x H)
Weight:	0.1 kg
Colour:	black

Note

Fits truss with a diameter between 48 - 52 mm

© Design registered in the EU and UK

USE



ADMIRAL
STAGING

| www.admiralstaging.com | Josink Kolkweg 10 | 7545 PR Enschede | The Netherlands | Tel: +31 53 4 301 201 |