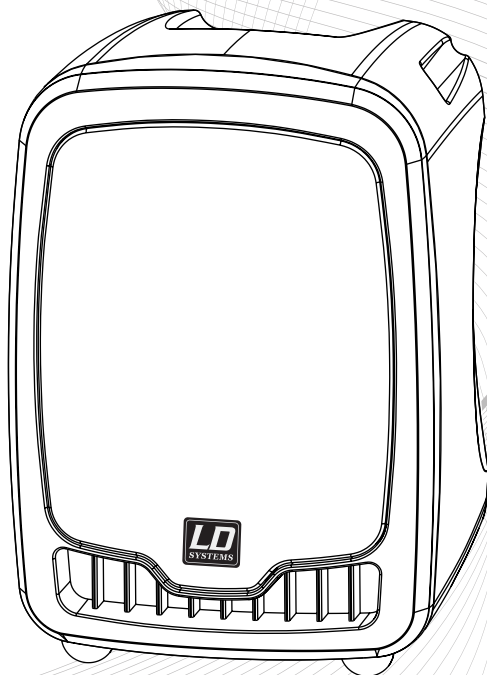
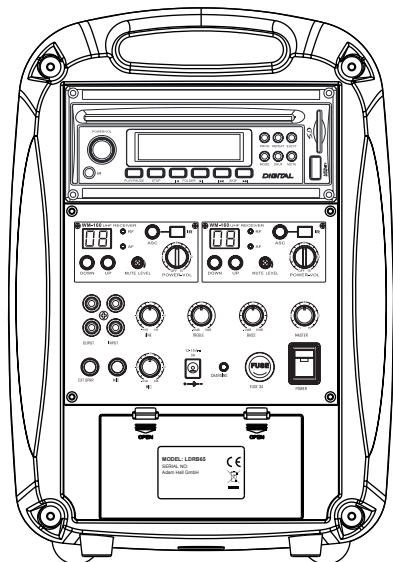


USER'S MANUAL
BEDIENUNGSANLEITUNG
MANUEL D'UTILISATION
MANUAL DE USUARIO
INSTRUKCJA OBSŁUGI
MANUALE D' USO



LD ROADBOY 6.5

PORTABLE SOUND SYSTEM 100 W



ENGLISH

DEUTSCH

FRANCAIS

ESPAÑOL

POLSKI

ITALIANO

You've made the right choice!

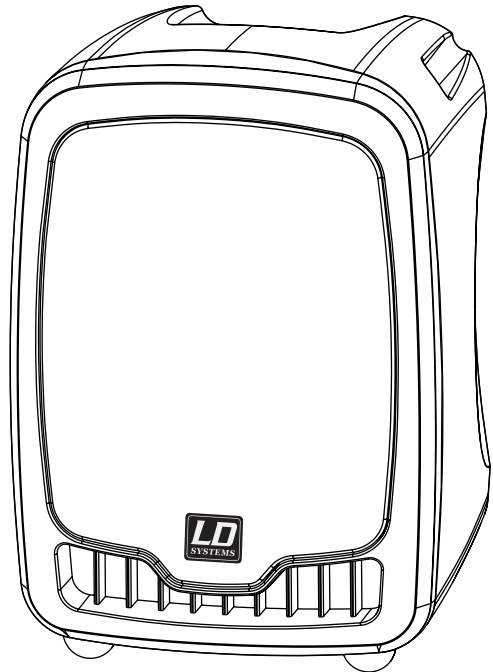
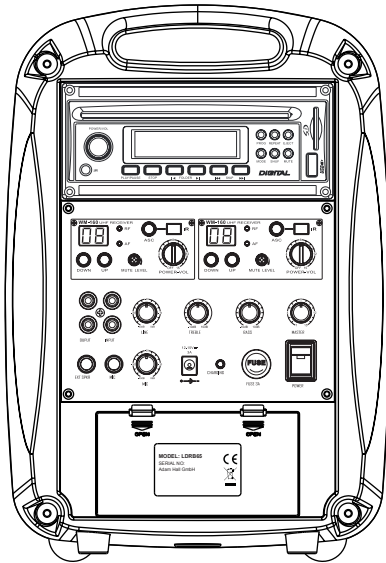
We have designed this product to operate reliably over many years. LD Systems stands for this with its name and many years of experience as a manufacturer of high-quality audio products.

Please read this User's Manual carefully, so that you can begin making optimum use of your LD Systems product quickly.

You can find more information about LD SYSTEMS at our Internet site WWW.LD-SYSTEMS.COM

LD ROADBOY 6.5

MOBILES SOUND-SYSTEM 100 W



ENGLISH

DEUTSCH

FRANCAIS

ESPAÑOL

POLSKI

ITALIANO



PREVENTIVE MEASURES:

1. Please read these instructions carefully.
2. Keep all information and instructions in a safe place.
3. Follow the instructions.
4. Observe all safety warnings. Never remove safety warnings or other information from the equipment.
5. Use the equipment only in the intended manner and for the intended purpose.
6. Use only sufficiently stable and compatible stands and/or mounts (for fixed installations). Make certain that wall mounts are properly installed and secured. Make certain that the equipment is installed securely and cannot fall down.
7. During installation, observe the applicable safety regulations for your country.
8. Never install and operate the equipment near radiators, heat registers, ovens or other sources of heat. Make certain that the equipment is always installed so that it is cooled sufficiently and cannot overheat.
9. Never place sources of ignition, e.g., burning candles, on the equipment.
10. Ventilation slits must not be blocked.
11. Do not use this equipment in the immediate vicinity of water (does not apply to special outdoor equipment - in this case, observe the special instructions noted below. Do not expose this equipment to flammable materials, fluids or gases.
12. Make certain that dripping or splashed water cannot enter the equipment. Do not place containers filled with liquids, such as vases or drinking vessels, on the equipment.
13. Make certain that objects cannot fall into the device.
14. Use this equipment only with the accessories recommended and intended by the manufacturer.
15. Do not open or modify this equipment.
16. After connecting the equipment, check all cables in order to prevent damage or accidents, e.g., due to tripping hazards.
17. During transport, make certain that the equipment cannot fall down and possibly cause property damage and personal injuries.
18. If your equipment is no longer functioning properly, if fluids or objects have gotten inside the equipment or if it has been damaged in another way, switch it off immediately and unplug it from the mains outlet (if it is a powered device). This equipment may only be repaired by authorized, qualified personnel.
19. Clean the equipment using a dry cloth.
20. Comply with all applicable disposal laws in your country. During disposal of packaging, please separate plastic and paper/cardboard.
21. Plastic bags must be kept out of reach of children.

FOR EQUIPMENT THAT CONNECTS TO THE POWER MAINS:

22. CAUTION: If the power cord of the device is equipped with an earthing contact, then it must be connected to an outlet with a protective ground. Never deactivate the protective ground of a power cord.
23. If the equipment has been exposed to strong fluctuations in temperature (for example, after transport), do not switch it on immediately. Moisture and condensation could damage the equipment. Do not switch on the equipment until it has reached room temperature.
24. Before connecting the equipment to the power outlet, first verify that the mains voltage and frequency match the values specified on the equipment. If the equipment has a voltage selection switch, connect the equipment to the power outlet only if the equipment values and the mains power values match. If the included power cord or power adapter does not fit in your wall outlet, contact your electrician.
25. Do not step on the power cord. Make certain that the power cable does not become kinked, especially at the mains outlet and/or power adapter and the equipment connector.
26. When connecting the equipment, make certain that the power cord or power adapter is always freely accessible. Always disconnect the equipment from the power supply if the equipment is not in use or if you want

SAFETY:

to clean the equipment. Always unplug the power cord and power adapter from the power outlet at the plug or adapter and not by pulling on the cord. Never touch the power cord and power adapter with wet hands.

27. Whenever possible, avoid switching the equipment on and off in quick succession because otherwise this can shorten the useful life of the equipment.

28. **IMPORTANT INFORMATION:** Replace fuses only with fuses of the same type and rating. If a fuse blows repeatedly, please contact an authorised service centre.

29. To disconnect the equipment from the power mains completely, unplug the power cord or power adapter from the power outlet.

30. If your device is equipped with a Volex power connector, the mating Volex equipment connector must be unlocked before it can be removed. However, this also means that the equipment can slide and fall down if the power cable is pulled, which can lead to personal injuries and/or other damage. For this reason, always be careful when laying cables.

31. Unplug the power cord and power adapter from the power outlet if there is a risk of a lightning strike or before extended periods of disuse.



CAUTION:

Never remove the cover, because otherwise there may be a risk of electric shock. There are no user serviceable parts inside. Have repairs carried out only by qualified service personnel.



The lightning flash with arrowhead symbol within an equilateral triangle is intended to alert the user to the presence of uninsulated “dangerous voltage” within the product’s enclosure that may be of sufficient magnitude to constitute a risk of electrical shock.



The exclamation mark within an equilateral triangle is intended to alert the user to the presence of important operating and maintenance instructions.

CAUTION – HIGH VOLUME LEVELS WITH AUDIO PRODUCTS!

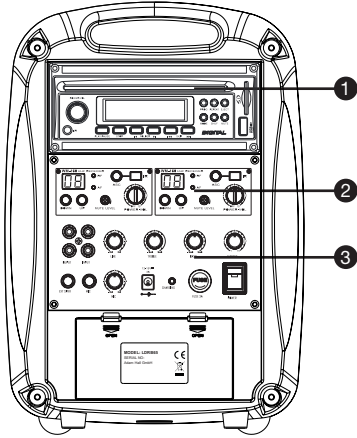
This equipment is intended for professional use. Therefore, commercial use of this equipment is subject to the respectively applicable national accident prevention rules and regulations. As a manufacturer, Adam Hall is obligated to notify you formally about the existence of potential health risks.

Hearing damage due to high volume and prolonged exposure: When in use, this product is capable of producing high sound-pressure levels (SPL) that can lead to irreversible hearing damage in performers, employees, and audience members. For this reason, avoid prolonged exposure to volumes in excess of 90 dB.

CAUTION! IMPORTANT INFORMATION ABOUT LIGHTING PRODUCTS

1. Do not look into the beam from a distance of less than 40 cm.
2. Do not stare into the beam for extended periods at short-to-medium distances.
3. Do not view the beam directly with optical instruments such as magnifiers.
4. Under some circumstances, stroboscopic effects may trigger epileptic seizures in sensitive individuals! For this reason, persons who suffer from epilepsy should always avoid places where strobe lights are used.

BACK PANEL:



1 CD-PLAYER

Digital Slot-In CD-player with USB memory stick input and SD card slot. CD player with anti shock function. Supported file formats (CD-player, USB-player, SD-card reader). Audio CD, MP3, WMA. (Subject to change!)

2 WIRELESS RECEIVER MODULE

The Roadboy 6.5 is equipped with a radio receiver. If you need to use two wireless microphones simultaneously, it is possible to install a second receiver module.

3 OPERATING AREA

Volume control: Master, MIC (wired), Line-in

EQ: Bass, Treble

Line input / output RCA

Active output for external speaker

LED indicator: Low battery charge (red), battery charging (flashing green), battery fully charged (static green)

SYSTEM COMPONENTS:

Roadboy



Handheld Transmitter



Power supply



Remote Control



similar to this image

ENGLISH

DEUTSCH

FRANCAIS

ESPAÑOL

POLSKI

ITALIANO

OPTIONAL ACCESSORIES:

ENGLISH

Water-resistant
Aerobic-Headset (LDHSAE1)



Water-resistant Headset (LDHSM1)



DEUTSCH

Carrying Case (LDSB21)



Headset Microphone, black (LDWS100MH1)



FRANCAIS

ESPAÑOL

Belt Pack Transmitter (LDWS1616BP)



Headset Microphone, skin colour (LDWS100MH3)



POLSKI

Additional receiver (LDRM102R)

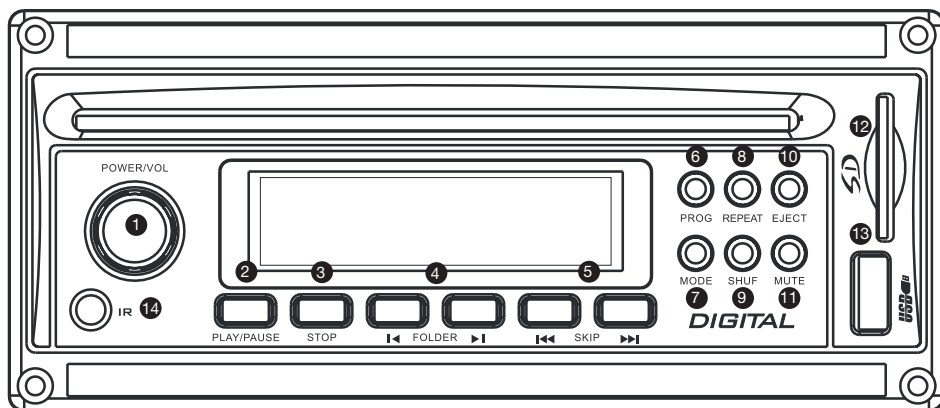


Speaker stand
(LDST40)



ITALIANO

CD-PLAYER:



- 1 POWER/VOL**
On / Off switch, volume control
Press the button to turn on/off.
- 2 PLAY/PAUSE**
- 3 STOP**
- 4 FOLDER**
In Play mode, use the FOLDER buttons (LEFT/RIGHT) to select the first track of the previous/next folder.
- 5 SKIP (LEFT/RIGHT)**
In Play mode you can select the previous/next track using the SKIP-buttons (LEFT/RIGHT).
In Play mode, holding down the SKIP-buttons acts as Fast Forward (Fast Forward, right SKIP-button) or Fast Reverse (Fast Reverse, left SKIP-button) within a track.
- 6 PROG (PROGRAM)**
Programming your own play sequence of tracks on CD, USB memory stick and SD card.
As soon as you press the PROG button, "PROG" appears on the display above the track run-time, and the track number indicator flashes. Select the track number by using the VOLUME control for the first program item and confirm your selection with SHUF. Repeat this process to create a program. The program will be launched automatically.
- 7 MODE**
Press this button to switch between the signal source SD, USB and CD.
- 8 REPEAT**
Press button once to repeat the current track.
Press button twice to repeat all tracks.
- 9 SHUF**
Random playback
- 10 EJECT**
Eject CD
- 11 MUTE**
Mute
- 12 SD CARD SLOT**
- 13 USB 2.0**
Slot for Memory Stick
- 14 IR**
Infrared receiver for remote control

ENGLISH

DEUTSCH

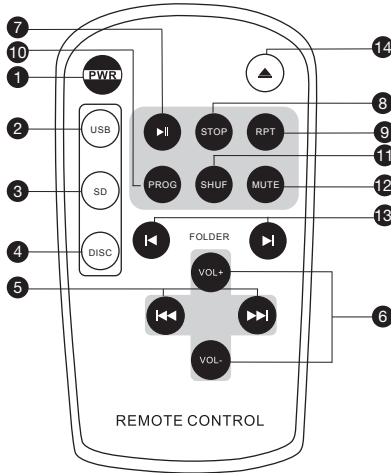
FRANCAIS

ESPAÑOL

POLSKI

ITALIANO

REMOTECONTROL:



The Roadboy 6.5 is equipped with two remote-controllable infrared receiver modules, one on the front and one on the back. This allows you to use the remote control both in front of and behind the speaker.

- 1 **PWR (POWER):** On/Off switch
- 2 **USB:** Select the USB interface.
- 3 **SD:** Select the SD-card interface.
- 4 **DISC:** Select the CD-ROM drive.
- 5 **SKIP (LEFT/RIGHT):** In Play mode you can select the previous/next track using the SKIP-buttons (LEFT/RIGHT).
In Play mode, holding down the SKIP-buttons acts as Fast Forward (Fast Forward, right SKIP-button) or Fast Reverse (Fast Reverse, left SKIP-button) within a track.
- 6 **VOL +/- :** Volume level. Press the Plus button (+) to increase the volume and the Minus (-) to decrease it.
- 7 **PLAY/PAUSE**
- 8 **STOP**
- 9 **RPT (REPEAT):** Press button once to repeat the current track. Press button twice to repeat all tracks.
- 10 **PROG (PROGRAM)** Programming your own play sequence of tracks on CD, USB memory stick and SD card. As soon as you press the PROG button, "PROG" appears on the display above the track run-time, and the track number indicator flashes. Select the track number by using the VOLUME control for the first program item and confirm your selection with SHUF Repeat this process to create a program. The program will be launched automatically.
- 11 **SHUF (SHUFFLE):** Random playback
- 12 **MUTE:** Mute
- 13 **FOLDER:**
In Play mode, use the FOLDER buttons (LEFT/ RIGHT) to select the first track of the previous/next folder.
- 14 **EJECT:** Eject CD

BELT PACK TRANSMITTER:

ENGLISH

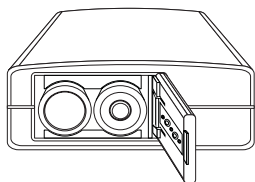
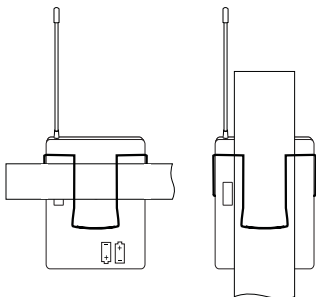
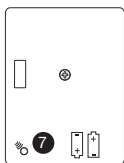
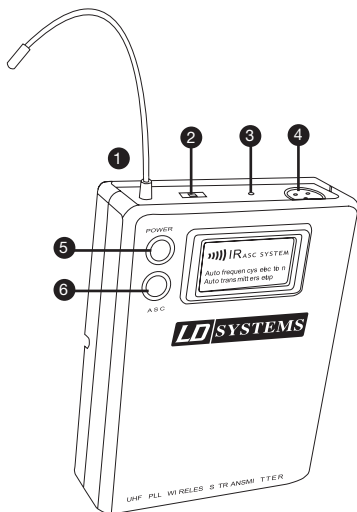
DEUTSCH

FRANCAIS

ESPAÑOL

POLSKI

ITALIANO



1 ANTENNA

2 GAIN SETTING

Mic: Microphone
 0: guitar with passive pickups
 -10 dB: guitar with active pickups

3 POWER-LED

Green: Operating
 Red: Low Battery
 Flashing red: Infrared transmission active

4 MICROPHONE INPUT (MINI XLR)

5 POWER BUTTON (ON/OFF)

6 ASC BUTTON (ACTIVATE SYNC)

Frequency synchronisation via infrared

7 IR INTERFACE

HOW TO ATTACH THE BELT PACK TRANSMITTER

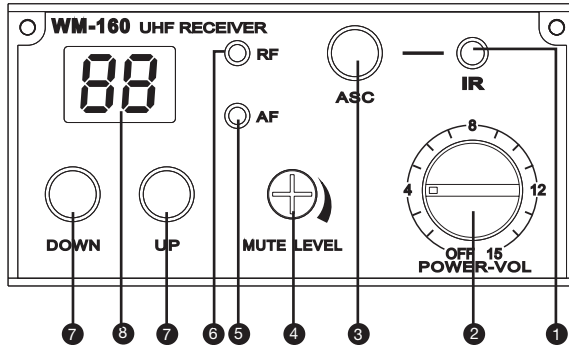
Attach the transmitter to a belt or strap. To ensure a secure grip, slide the clip of the transmitter as far down as possible on the belt or strap.

Guitarists have the option to slide the guitar strap directly through the clip.

REPLACING THE BATTERIES

If the battery status indicator is flashing red, you should replace the batteries immediately (see figure on the left). Please insert 2 "AA" alkaline batteries (LR6, 1.5 V).

RADIO RECEIVER MODULE:



1 IR WINDOW

Sends infrared signals to the transmitter for frequency synchronisation.

2 POWER

On/Off switch and volume control.

3 ASC

Select the frequency for the transmission on the receiver and then press the ASC-button to synchronise transmitter and receiver. Align the IR window (infrared interface) of the microphone with the IR window of the receiver. (Synchronisation with Belt Pack Transmitter: Press the "ASC" button on the transmitter and the receiver in order to enable the synchronisation.)

4 MUTE LEVEL

Squelch setting on the receiver:

The squelch function is used for noise reduction, if the transmitter is turned off or the receiver does not receive a sufficiently strong signal from the transmitter.

The squelch value (mute level) of the receiver is already correctly adjusted at the factory. Normally, no further adjustment is required.

However, should a readjustment be necessary, set the squelch value to a level that does not generate any noise in the receiver when the transmitter is switched off.

5 AF LED

Indicates whether or not the module receives an audio signal.

6 RF LED

Indicates whether or not the module receives a radio frequency signal (RF signal).

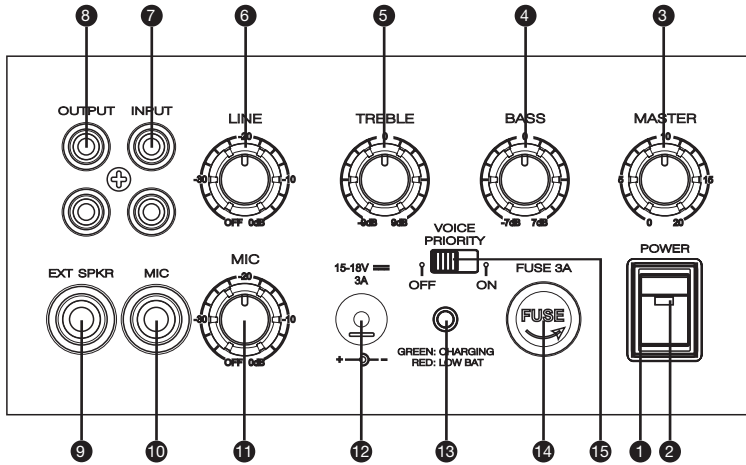
7 UP/DOWN

Select channel 1 - 16

8 LED DISPLAY

Channel number display

OPERATING AREA:



- 1 POWER SWITCH** main power switch (On/Off switch for the whole system)
- 2 LED INDICATOR** lights up red when the system is in operation (turned on).
- 3 MASTER VOLUME**
Master volume control of the system
- 4 BASS**
Tone controls for the bass range (low)
- 5 TREBLE**
The treble tone control (treble)
- 6 LINE VOLUME**
Line-In volume control
- 7 LINE-IN (CINCH)**
- 8 LINE-OUT (CINCH)**
- 9 6.3 MM JACK FOR EXTERNAL SPEAKER**
You can connect an additional passive loudspeaker in this output. When this output is used, the sound comes from both the Roadboy and the additional passive external speaker (Impedance min. 4 Ω).
- 10 MICROPHONE INPUT**
- 11 MICROPHONE VOLUME CONTROL**
- 12 CONNECTION FOR POWER SUPPLY**
- 13 BATTERY STATUS INDICATOR**
LED Indicator: Low battery charge (red), battery charging (flashing green), battery fully charged (static green)
- 14 FUSE (3 A)**
- 15 'VOICE PRIORITY' SWITCH**
During music playback, the "Voice Priority" function causes an automatic reduction of the volume of the music whenever the microphone is spoken into. As soon as you stop talking, the music volume will automatically increase again. This function is also called "Talkover" (or "Ducking").

HANDHELD TRANSMITTER:

ENGLISH

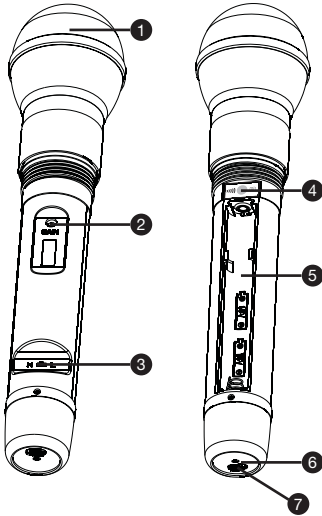
DEUTSCH

FRANCAIS

ESPAÑOL

POLSKI

ITALIANO



1 MICROPHONE HEAD GRILL

2 GAIN

This button controls the sensitivity of the microphone (rotation to the left reduces the sensitivity, rotation to the right increases it). The sensitivity is factory set to the optimum level (for most applications).

3 RF SWITCH (RADIO SIGNAL)

"H" stands for "High" (strong signal), "L" for "Low" (weak signal).

4 IR INTERFACE

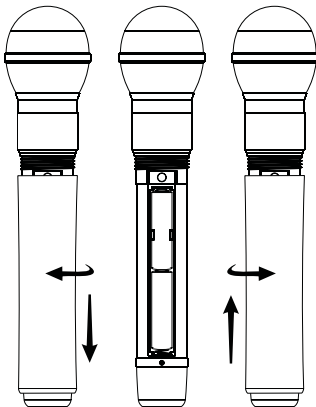
5 BATTERY COMPARTMENT

Please insert 2 "AA" alkaline batteries (LR6, 1.5 V).

6 POWER/ASC

LED is static green: the microphone is switched on
 LED flashes green: the infrared transmission is active
 LED flashes red: Low Battery

7 ON/OFF SWITCH



REPLACING THE BATTERIES

If the battery LED light flashes, please replace the batteries immediately.

SYSTEM SETTING AND OPERATION:

ENGLISH

DEUTSCH

FRANCAIS

ESPAÑOL

POLSKI

ITALIANO

THE INPUT FOR WIRED MICROPHONES

Connect the 6.3 mm jack plug of your microphone cable to the MIC Jack input. This input is located on the back of the Roadboy. Make sure that the other end of the cable is properly connected to the microphone. If your microphone is equipped with a power switch, please turn it off. Set the optimal microphone level by turning the MIC gain control (in relation to the line level). If the microphone volume is set too high, it can cause distortion (overdrive).

THE RADIO RECEIVER MODULE

To begin, set the MASTER VOLUME of the Roadboy to "0". Then turn the POWER-VOL-button of the receiver module to the central position ("12 o'clock"). Now you can synchronise the transmitter (Handheld microphone or Belt Pack Transmitter) with the built-in receiver, using the ASC-function. Press the ASC button on the radio receiver module; the ASC LED flashes red.

If you use a Handheld Transmitter: the infrared sensor (IR) is located in the battery compartment below the capsule. Hold it close to the IR sensor of the receiver module.

If you use a Belt Pack Transmitter: it is also necessary to enable the ASC function on the Belt Pack Transmitter. Hold the infrared sensor of the Belt Pack Transmitter ("IR", on the back) close to the IR window of the receiver module. The synchronisation will take a few seconds. If you have installed a second radio module (optional), please make sure that both modules do not operate on the same frequency (see frequency list). This will avoid interference. The flashing of the "RF" LED indicates that your system is working properly and that the synchronisation was successful. Now you can set the MASTER volume of your Roadboy to the desired volume level.

The maximum distance between the wireless microphone (or Belt Pack Transmitter) and the receiver module is approximately 60 m in open space.

THE "EXT. SPEAKER" OUTPUT

To connect an external speaker, use a speaker cable with a 6.3 mm jack plug. The speaker should have an impedance between 4 and 8 Ohm and a minimum capacity of 25 W.

HOW TO CHARGE THE BATTERY OF THE ROADBOY

When you want to operate the system without battery or while charging the battery, connect the power supply provided with the Roadboy (16 V / 3 A). The charging time is 8 hours. When the battery is fully charged, the charging process stops automatically. You can also operate the Roadboy while connected to the power supply.

IMPORTANT INFORMATION!

If you re-insert or replace the battery, it is ESSENTIAL that you observe the polarity! Red = + (plus) // black = - (minus).

Recharge the battery fully at every opportunity. Never completely discharge a rechargeable lead battery or store it in discharged or semi-charged condition. During extended periods of disuse and storage, the battery must be recharged fully at regular intervals.



SPECIFICATIONS:

BASIC SPECIFICATIONS

Output power: MAX 100 W RMS / 4 Ω
Frequency response: 80 Hz - 15 kHz
Maximum sound pressure: 110 dB
Speaker: 6.5 - inch full range
Power: 200 V - 250 V Switching power supply
DC 16 V / 3 A
Batteries: 12 V / 2,6 AH
THD: <0,5 %
Size (W x H x D): 300 x 200 x 230 mm
Weight: 5 kg
Receiver module: 863 - 865 MHz

CD PLAYER

Product type:
Compact disc digital audio system with mechanic & electronic anti-shock CD, CD-R, MP3, WMA, USB, SD, MP3, WMA available.
Disc loading: Slot-in Type
Supply voltage: DC 12 V (10 ~ 16 V)
Power consumption: Within 5 W
Dimensions (W x H x D): 160 x 147,4 x 68,5 mm
Weight: 1.2 kg

RECEIVER

Channels: 16
Carrier frequency range: 863 - 865 MHz
Audio bandwidth: 60 Hz - 16 kHz
THD: <1%
Signal/noise ratio: > 100 dB
Modulation: FM
Dimensions: 73 x 36 x 120 mm
Net weight: 100 g
Power requirements: 12 V DC

HANDHELD TRANSMITTER

Channels: 16
Carrier frequency range: 863 - 865 MHz
Capsule type: Dynamic
Polar pattern: Cardioid
RF Output power: 10 mW
Audio Bandwidth: 60 Hz - 16 kHz
Signal/noise ratio: > 102 dB
Modulation: FM
Dimensions: 235 x 54 mm
Net weight: 280 g
Power requirements: 2 x "AA" batteries
Battery Life: >10 hours

BELT PACK TRANSMITTER

Channels: 16
Carrier frequency range: 863 - 865 MHz
RF Output power: 10 mW
Max. input level: 6 mV
Audio Bandwidth: 60 Hz - 16 kHz
Signal/noise ratio: > 102 dB
Modulation: FM
Dimensions: 85 x 65 x 24 mm
Net weight: 80 g
Power requirement: 2 x "AA" batteries
Battery Life: >10 hours, depending on batteries

Since all our products are constantly controlled and improved, technical changes are possible without prior notice.

ENGLISH

DEUTSCH

FRANCAIS

ESPAÑOL

POLSKI

ITALIANO

SPECIFICATIONS:

LDWS1616 / Roadman / Roadboy

Frequency list for inter modulation free use of up to three wireless microphones simultaneously.

Nr.	Frequenz (MHz)	Gleichzeitig
1	863,100	X
2	863,900	
3	864,500	
4	864,900	
5	863,200	
6	863,300	
7	863,400	
8	863,500	
9	863,600	
10	863,700	X
11	863,800	
12	864,000	
13	864,100	X
14	864,200	
15	864,300	
16	864,400	

ENGLISH

DEUTSCH

FRANCAIS

ESPAÑOL

POLSKI

ITALIANO



MANUFACTURER'S DECLARATIONS:

MANUFACTURER'S WARRANTY

This warranty covers the Adam Hall, LD Systems, Defender, Palmer, and Cameo brands. It applies to all products distributed by Adam Hall.

This warranty declaration does not affect the statutory warranty claims against the manufacturer, but expands them with additional warranty claims vis-a-vis Adam Hall.

Adam Hall warrants that the Adam Hall product that you have purchased from Adam Hall or from an Adam Hall authorized reseller is free from defects in materials or workmanship under normal use for a period of 2 or 5 years (please inquire on a product-by-product basis) from the date of purchase.

The warranty period begins on the date on which the product was purchased, proof of which must be produced (through presentation of the invoice or the delivery note with the date of purchase) in the event of a warranty claim. Should products of the brands named above be in need of repair within the limited warranty period, you are entitled to warranty service according to the terms and conditions stated here.

During the Limited Warranty Period, Adam Hall will repair or replace the defective component parts or the product. In the event of repair or replacement during the Limited Warranty Period, the replaced original parts and/or products become property of Adam Hall.

In the unlikely event that the product which you purchased has a recurring failure, Adam Hall has the right, at its discretion, to replace the defective product with another product, provided that the new product is at least equivalent to the product being replaced with regard to the technical specifications.

Adam Hall does not warrant that the operation of this product will be uninterrupted or error-free. Adam Hall is not responsible for damage that occurs as a result of your failure to follow the instructions included with the Adam Hall branded product. The manufacturer's warranty does not cover – expendable parts (e. g., rechargeable batteries)

- products from which the serial number has been removed or with a serial number that has been damaged as a result of an accident - damage due to improper use, user error or other external reasons
- damage to devices operated outside the usage parameters stated in the documentation included with the product
- damage due to the use of replacement parts not manufactured, sold or recommended by Adam Hall,
- damage due to modification or servicing by anyone other than Adam Hall.

These terms and conditions constitute the complete and exclusive warranty agreement between you and Adam Hall regarding the Adam Hall branded product you have purchased.

ENGLISH

DEUTSCH

FRANCAIS

ESPAÑOL

POLSKI

ITALIANO

MANUFACTURER'S DECLARATIONS:

ENGLISH

DEUTSCH

FRANCAIS

ESPAÑOL

POLSKI

ITALIANO

LIMITATION OF LIABILITY

If your Adam Hall branded hardware product fails to work as warranted above, your sole and exclusive remedy shall be repair or replacement. Adam Halls' maximum liability under this limited warranty is expressly limited to the lesser of the price you have paid for the product or the cost of repair or replacement of any components that malfunction under conditions of normal use.

Adam Hall is not liable for any damages caused by the product or the failure of the product, including any lost profits or savings or special, incidental, or consequential damages. Adam Hall is not liable for any claim made by a third party or made by you for a third party.

This limitation of liability applies whether damages are sought, or claims are made, under this Limited Warranty or as a tort claim (including negligence and strict product liability), a contract claim, or any other claim, and cannot be rescinded or changed by anyone. This limitation of liability will be effective even if you have advised Adam Hall or an authorized representative of Adam Hall of the possibility of any such damages, but not, however, in the event of claims for damages in connection with personal injuries.

This manufacturer's warranty grants you specific rights; depending on jurisdiction (nation or state), you may be entitled to additional claims. You are advised to consult applicable state or national laws for a full determination of your rights.

REQUESTING WARRANTY SERVICE

To request warranty service for the product, contact Adam Hall or the Adam Hall authorized reseller from which you purchased the product.

EC DECLARATION OF CONFORMITY

The equipment marketed by Adam Hall complies (where applicable) with the essential requirements and other relevant specifications of Directives 1999/5/EC (R&TTE), 2004/108/EC (EMC) und 2006/95/EC (LVD). Additional information can be found at www.adamhall.com.

MANUFACTURER'S DECLARATIONS:

ENGLISH

DEUTSCH

FRANCAIS

ESPAÑOL

POLSKI

ITALIANO

PROPER DISPOSAL OF THIS PRODUCT

(Valid in the European Union and other European countries with waste separation)



This symbol on the product, or the documents accompanying the product, indicates that this appliance may not be treated as household waste. This is to avoid environmental damage or personal injury due to uncontrolled waste disposal. Please dispose of this product separately from other waste and have it recycled to promote sustainable economic activity.

Household users should contact either the retailer where they purchased this product, or their local government office, for details on where and how they can recycle this item in an environmentally friendly manner. Business users should contact their supplier and check the terms and conditions of the purchase contract. This product should not be mixed with other commercial wastes for disposal .

ENVIRONMENTAL PROTECTION AND ENERGY CONSERVATION

Energy conservation is an active contribution to environmental protection. Please turn off all unneeded electrical devices. To prevent unneeded devices from consuming power in standby mode, disconnect the mains plug.

Adam Hall GmbH, all rights reserved. The technical data and the functional product characteristics can be subject to modifications. The photocopying, the translation, and all other forms of copying of fragments or of the integrity of this user's manual is prohibited.

ENGLISH

DEUTSCH

FRANCAIS

ESPAÑOL

POLSKI

ITALIANO



ENGLISH

DEUTSCH

FRANCAIS

ESPAÑOL

POLSKI

ITALIANO

Sie haben die richtige Wahl getroffen!

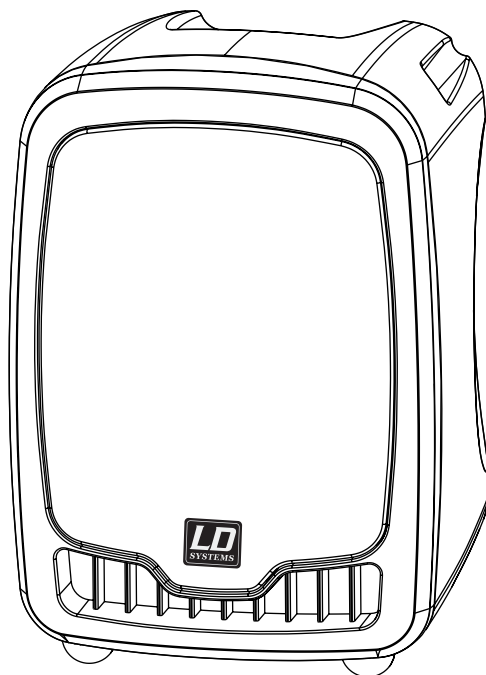
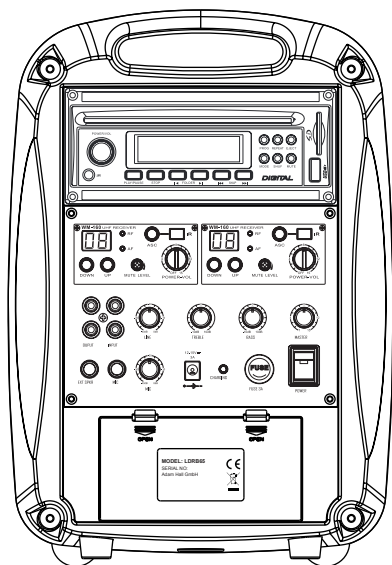
Diese LD Systems Produkte werden Sie lange Jahre durch Zuverlässigkeit, Wirtschaftlichkeit und einfaches Handling überzeugen. Dafür garantiert LD Systems mit seinem Namen und seiner in vielen Jahren erworbenen Kompetenz als Hersteller hochwertiger Geräte.

Nehmen Sie sich nun ein paar Minuten Zeit, diese Anleitung zu lesen. Wir möchten, dass Sie einfach und schnell in den Genuss dieser Technik kommen.

Mehr Informationen zu LD SYSTEMS finden Sie auf unserer Internetseite WWW.LD-SYSTEMS.COM

LD ROADBOY 6.5

MOBILES SOUND-SYSTEM 100 W



ENGLISH

DEUTSCH

FRANCAIS

ESPAÑOL

POLSKI

ITALIANO

SICHERHEITSHINWEISE:

1. Lesen Sie diese Anleitung bitte sorgfältig durch.
2. Bewahren Sie alle Informationen und Anleitungen an einem sicheren Ort auf.
3. Befolgen Sie die Anweisungen.
4. Beachten Sie alle Warnhinweise. Entfernen Sie keine Sicherheitshinweise oder andere Informationen vom Gerät.
5. Verwenden Sie das Gerät nur in der vorgesehenen Art und Weise.
6. Verwenden Sie ausschließlich stabile und passende Stative bzw. Befestigungen (bei Festinstallationen). Stellen Sie sicher, dass Wandhalterungen ordnungsgemäß installiert und gesichert sind. Stellen Sie sicher, dass das Gerät sicher installiert ist und nicht herunterfallen kann.
7. Beachten Sie bei der Installation die für Ihr Land geltenden Sicherheitsvorschriften.
8. Installieren und betreiben Sie das Gerät nicht in der Nähe von Heizkörpern, Wärmespeichern, Öfen oder sonstigen Wärmequellen. Sorgen Sie dafür, dass das Gerät immer so installiert ist, dass es ausreichend gekühlt wird und nicht überhitzen kann.
9. Platzieren Sie keine Zündquellen wie z.B. brennende Kerzen auf dem Gerät.
10. Lüftungsschlitze dürfen nicht blockiert werden.
11. Betreiben Sie das Gerät nicht in unmittelbarer Nähe von Wasser. Bringen Sie das Gerät nicht mit brennbaren Materialien, Flüssigkeiten oder Gasen in Berührung.
12. Sorgen Sie dafür, dass kein Tropf- oder Spritzwasser in das Gerät eindringen kann. Stellen Sie keine mit Flüssigkeit gefüllten Behältnisse wie Vasen oder Trinkgefäße auf das Gerät.
13. Sorgen Sie dafür, dass keine Gegenstände in das Gerät fallen können.
14. Betreiben Sie das Gerät nur mit dem vom Hersteller empfohlenen und vorgesehenen Zubehör.
15. Öffnen Sie das Gerät nicht und verändern Sie es nicht.
16. Überprüfen Sie nach dem Anschluss des Geräts alle Kabelwege, um Schäden oder Unfälle, z. B. durch Stolperfallen zu vermeiden.
17. Achten Sie beim Transport darauf, dass das Gerät nicht herunterfallen und dabei möglicherweise Sach- und Personenschäden verursachen kann.
18. Wenn Ihr Gerät nicht mehr ordnungsgemäß funktioniert, Flüssigkeiten oder Gegenstände in das Geräteinnere gelangt sind, oder das Gerät anderweitig beschädigt wurde, schalten Sie es sofort aus und trennen es von der Netzsteckdose (sofern es sich um ein aktives Gerät handelt). Dieses Gerät darf nur von autorisiertem Fachpersonal repariert werden.
19. Verwenden Sie zur Reinigung des Geräts ein trockenes Tuch.
20. Beachten Sie alle in Ihrem Land geltenden Entsorgungsgesetze. Trennen Sie bei der Entsorgung der Verpackung bitte Kunststoff und Papier bzw. Kartonagen voneinander.
21. Kunststoffbeutel müssen außer Reichweite von Kindern aufbewahrt werden.

BEI GERÄTEN MIT NETZANSCHLUSS:

22. ACHTUNG: Wenn das Netzkabel des Geräts mit einem Schutzkontakt ausgestattet ist, muss es an einer Steckdose mit Schutzleiter angeschlossen werden. Deaktivieren Sie niemals den Schutzleiter eines Netzkabels.
23. Schalten Sie das Gerät nicht sofort ein, wenn es starken Temperaturschwankungen ausgesetzt war (beispielsweise nach dem Transport). Feuchtigkeit und Kondensat könnten das Gerät beschädigen. Schalten Sie das Gerät erst ein, wenn es Raumtemperatur erreicht hat.
24. Bevor Sie das Gerät an die Steckdose anschließen, prüfen Sie zuerst, ob die Spannung und die Frequenz des Stromnetzes mit den auf dem Gerät angegebenen Werten übereinstimmen. Verfügt das Gerät über einen Spannungswahlschalter, schließen Sie das Gerät nur an die Steckdose an, wenn die Geräterwerte mit den Werten des Stromnetzes übereinstimmen. Wenn das mitgelieferte Netzkabel bzw. der mitgelieferte Netzadapter nicht in Ihre Netzsteckdose passt, wenden Sie sich an Ihren Elektriker.
25. Treten Sie nicht auf das Netzkabel. Sorgen Sie dafür, dass spannungsführende Kabel speziell an der Netz-

SICHERHEITSHINWEISE:

ENGLISH

DEUTSCH

FRANCAIS

ESPAÑOL

POLSKI

ITALIANO

buchse bzw. am Netzadapter und der Gerätebuchse nicht geknickt werden.

26. Achten Sie bei der Verkabelung des Geräts immer darauf, dass das Netzkabel bzw. der Netzadapter stets frei zugänglich ist. Trennen Sie das Gerät stets von der Stromzuführung, wenn das Gerät nicht benutzt wird, oder Sie das Gerät reinigen möchten. Ziehen Sie Netzkabel und Netzadapter immer am Stecker bzw. am Adapter und nicht am Kabel aus der Steckdose. Berühren Sie Netzkabel und Netzadapter niemals mit nassen Händen.

27. Schalten Sie das Gerät möglichst nicht schnell hintereinander ein und aus, da sonst die Lebensdauer des Geräts beeinträchtigt werden könnte.

28. WICHTIGER HINWEIS: Ersetzen Sie Sicherungen ausschließlich durch Sicherungen des gleichen Typs und Wertes. Sollte eine Sicherung wiederholt auslösen, wenden Sie sich bitte an ein autorisiertes Servicezentrum.

29. Um das Gerät vollständig vom Stromnetz zu trennen, entfernen Sie das Netzkabel bzw. den Netzadapter aus der Steckdose.

30. Wenn Ihr Gerät mit einem verriegelbaren Netzanschluss bestückt ist, muss der passende Gerätestecker entsperrt werden, bevor er entfernt werden kann. Das bedeutet aber auch, dass das Gerät durch ein Ziehen am Netzkabel verrutschen und herunterfallen kann, wodurch Personen verletzt werden und/oder andere Schäden auftreten können. Verlegen Sie Ihre Kabel daher immer sorgfältig.

31. Entfernen Sie Netzkabel und Netzadapter aus der Steckdose bei Gefahr eines Blitzschlags oder wenn Sie das Gerät länger nicht verwenden.



ACHTUNG:

Entfernen Sie niemals die Abdeckung, da sonst das Risiko eines elektrischen Schlages besteht. Im Inneren des Geräts befinden sich keine Teile, die vom Bediener repariert oder gewartet werden können. Lassen Sie Reparaturen ausschließlich von qualifiziertem Servicepersonal durchführen.



Das gleichschenkelige Dreieck mit Blitzsymbol warnt vor nichtisolierten, gefährlichen Spannungen im Geräteinneren, die einen elektrischen Schlag verursachen können.



Das gleichschenkelige Dreieck mit Ausrufungszeichen kennzeichnet wichtige Bedienungs- und Warnungshinweise.

ACHTUNG HOHE LAUTSTÄRKEN BEI AUDIOPRODUKTEN!

Dieses Gerät ist für den professionellen Einsatz vorgesehen. Der kommerzielle Betrieb dieses Geräts unterliegt den jeweils gültigen nationalen Vorschriften und Richtlinien zur Unfallverhütung. Als Hersteller ist Adam Hall gesetzlich verpflichtet, Sie ausdrücklich auf mögliche Gesundheitsrisiken hinzuweisen. Gehörschäden durch hohe Lautstärken und Dauerbelastung: Bei der Verwendung dieses Produkts können hohe Schalldruckpegel (SPL) erzeugt werden, die bei Künstlern, Mitarbeitern und Zuschauern zu irreparablen Gehör-schäden führen können. Vermeiden Sie länger anhaltende Belastung durch hohe Lautstärken über 90 dB.

VORSICHT! WICHTIGE HINWEISE IN BEZUG AUF LICHT-PRODUKTE

1. Blicken Sie nicht aus Entfernungen von unter 40 cm in den Lichtstrahl.
2. Blicken Sie niemals längere Zeit aus kurzem bis mittlerem Abstand in den Lichtstrahl.
3. Blicken Sie niemals mit optischen Geräten wie Vergrößerungsgläsern in den Lichtstrahl.
4. Stoboskopeffekte können unter Umständen bei empfindlichen Menschen epileptische Anfälle auslösen! Epileptiker sollten daher unbedingt Orte meiden, an denen Stroboskope eingesetzt werden.

RÜCKSEITE:

ENGLISH

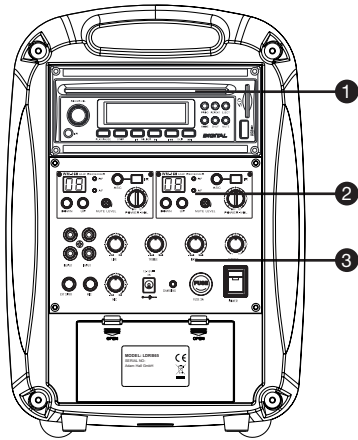
DEUTSCH

FRANCAIS

ESPAÑOL

POLSKI

ITALIANO



1 CD-PLAYER

Digitaler Slot-In-CD-Player mit USB-Speicherstick-Eingang und Steckplatz für SD-Karte. CD-Player mit Anti-Shock-Funktionalität. Unterstützte Dateiformate (CD-Player, USB-Player, SD-Kartenlesegerät): Audio CD, MP3, WMA. (Änderungen vorbehalten!)

2 FUNKEMPFÄNGER-MODUL

Der Roadboy 6.5 ist mit einem Funkempfänger ausgestattet. Wenn Sie zwei Funkmikrofone gleichzeitig einsetzen möchten, besteht die Möglichkeit, ein zweites Empfängermodul zu installieren.

3 BEDIENBEREICH

Lautstärkeregler: Master, Mic (kabelgebunden), Line-In
EQ: Bass, Treble
Line-Ein- / Ausgang Cinch
Aktiver Ausgang für externen Lautsprecher
LED-Anzeige: Akku-Ladestatus niedrig (rot), Akku wird geladen (grün blinkend), Akku voll geladen (grün)

SYSTEMKOMPONENTEN:

Roadboy



Handsender



Netzteil



Fernbedienung



Abbildung ähnlich

ENGLISH

DEUTSCH

FRANCAIS

ESPAÑOL

POLSKI

ITALIANO

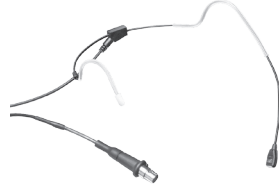
OPTIONALES ZUBEHÖR:

ENGLISH

Wasserabweisendes
Aerobic-Headset (LDHSAE1)



Wasserabweisendes Headset (LDHSM1)



DEUTSCH

Transporttasche (LDSB21)



Headset-Mikrofon, schwarz (LDWS100MH1)



FRANCAIS

ESPAÑOL

Taschensender (LDWS1616BP)



Headset-Mikrofon, hautfarben (LDWS100MH3)



POLSKI

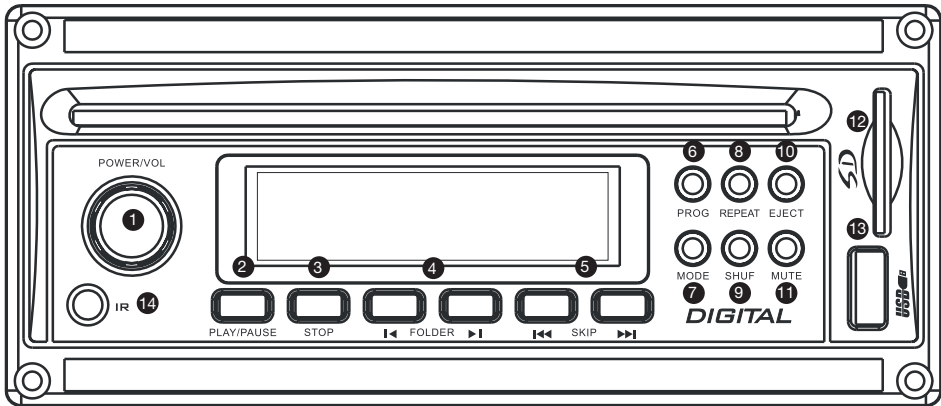
ITALIANO

Zusätzlicher Empfänger (LDRM102R)



Lautsprecherstativ
(LDST40)




1 POWER/VOL

Ein/Aus, Lautstärkeregler
Zum Ein- / Ausschalten Knopf drücken.

2 PLAY / PAUSE
3 STOP
4 FOLDER

Im Play-Modus verwenden Sie die FOLDER-Tasten (LINKS/RECHTS), um den ersten Titel des vorhergehenden/nächsten Ordners auszuwählen.

5 SKIP (LINKS/RECHTS)

Im Play-Modus wählen Sie über die SKIP-Tasten (LINKS/RECHTS) den vorhergehenden/nächsten Titel aus. Im Play-Modus können Sie die SKIP-Tasten durch Gedrückthalten für den schnellen Vorlauf (Fast Forward, rechte SKIP-Taste) oder schnellen Rücklauf (Fast Reverse, linke SKIP-Taste) innerhalb eines Titels nutzen.

6 PROG (PROGRAMM)

Programmierung einer eigenen Abfolge der Titel auf CD, USB-Stick und SD-Karte. Sobald Sie die PROG-Taste drücken, erscheint im Display oberhalb der Titellauferzeitanzeige „PROG“ und die Titelnummernanzeige blinkt. Wählen Sie mit Hilfe des VOLUME-Reglers die Titelnummer für den ersten Programmplatz und bestätigen diesen mit

SHUF. Wiederholen Sie diesen Vorgang zum Erstellen eines Programms. Das Programm wird automatisch gestartet.

7 MODE

Drücken Sie diese Taste, um zwischen den Signalquellen SD, USB und CD zu wechseln.

8 REPEAT

Drücken Sie diese Taste ein Mal, um den aktuellen Titel zu wiederholen. Drücken Sie diese Taste zwei Mal, um alle Titel zu wiederholen.

9 SHUF

Zufallswiedergabe

10 EJECT

CD auswerfen

11 MUTE

Stummschaltung

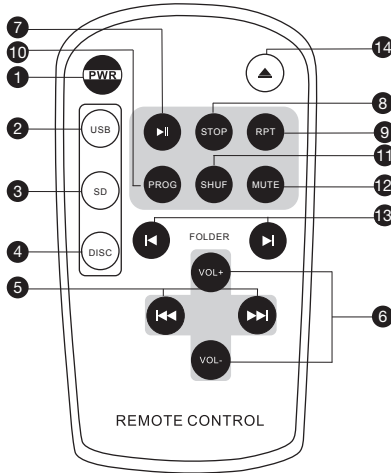
12 SD-KARTEN-STECKPLATZ
13 USB 2.0

Steckplatz für Speicherstick

14 IR

Infrarot-Empfänger für Fernbedienung

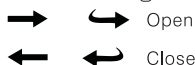
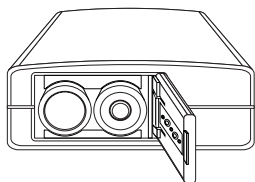
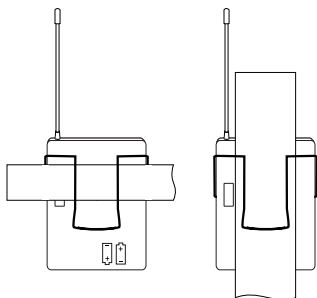
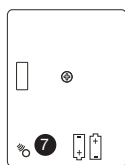
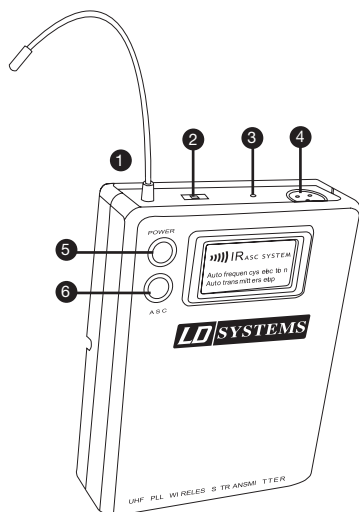
FERNBEDIENUNG:



Der Roadboy 6.5 ist mit zwei Infrarot-Empfängermodulen ausgestattet, einem auf der Vorderseite und einem auf der Rückseite. Auf diese Weise können Sie die Fernbedienung vor und hinter dem Lautsprecher nutzen.

- 1 **PWR (POWER):** Ein-/Ausschalter
- 2 **USB:** Auswahl der USB-Schnittstelle.
- 3 **SD:** Auswahl der SD-Karten-Schnittstelle.
- 4 **DISC:** Auswahl des CD-Laufwerks.
- 5 **SKIP (LINKS/RECHTS):** Im Play-Modus wählen Sie über die SKIP-Tasten (LINKS/RECHTS) den vorhergehenden, oder nächsten Titel aus. Im Play-Modus können Sie die SKIP-Tasten durch Gedrückthalten für den schnellen Vorlauf (Fast Forward, rechte SKIP-Taste) oder schnellen Rücklauf (Fast Reverse, linke SKIP-Taste) innerhalb eines Titels nutzen.
- 6 **VOL +/- :** Lautstärke. Drücken Sie die Plus-Taste (+) um die Lautstärke zu erhöhen und die Minus-Taste (-) um sie zu verringern.
- 7 **PLAY / PAUSE**
- 8 **STOP**
- 9 **RPT (REPEAT):** Drücken Sie diese Taste ein Mal, um den aktuellen Titel zu wiederholen. Drücken Sie diese Taste zwei Mal, um alle Titel zu wiederholen.
- 10 **PROG (PROGRAMM):** Programmierung einer eigenen Abspielfolge der Titel auf CD, USB-Stick und SD-Karte. Sobald Sie die PROG-Taste drücken, erscheint im Display oberhalb der Titelaufzeitanzeige „PROG“ und die Titelnúmeranzeige blinkt. Wählen Sie mit Hilfe der VOLUME-Tasten (+/-) die Titelnúmer für den ersten Programmplatz und bestätigen diesen mit SHUF. Wiederholen Sie diesen Vorgang zum Erstellen eines Programms. Das Programm wird automatisch gestartet.
- 11 **SHUF (SHUFFLE):** Zufallswiedergabe
- 12 **MUTE:** Stummschaltung
- 13 **FOLDER:** Im Play-Modus verwenden Sie die FOLDER-Tasten (LINKS/RECHTS), um den ersten Titel des vorhergehenden/nächsten Ordners auszuwählen.
- 14 **EJECT:** CD-Auswurf

TASCHESENENDER:



1 ANTENNE

2 GAIN-EINSTELLUNG

Mic: Mikrophon

0: Gitarre mit passiven Tonabnehmern

-10 dB: Gitarre mit aktiven Tonabnehmern

3 POWER-LED

Grün: Betrieb

Rot: Batteriestatus niedrig

Rot blinkend: Infrarot-Übertragung aktiv

4 MIKROFON-EINGANG (MINI-XLR)

5 POWER-TASTE (EIN/AUS)

6 ASC-TASTE (ACTIVATE SYNC)

Frequenzsynchronisation über Infrarot

7 IR-SCHNITTSTELLE

SO BEFESTIGEN SIE DEN TASCHESENENDER

Befestigen Sie den Taschensender an einem Gürtel oder Gurt. Für optimalen Halt schieben Sie den Clip des Taschensenders so weit wie möglich auf den Gürtel bzw. Gurt.

Gitarristen haben die Möglichkeit, den Gitarrenzug direkt durch den Clip zu führen.

AUSTAUSCH DER BATTERIEN

Wenn die Batterie-Statusanzeige rot blinkt, sollten sie die Batterien sofort austauschen (siehe Abbildung links). Bitte legen Sie 2 Batterien vom Typ "AA" (LR6, 1,5 V) ein.

ENGLISH

DEUTSCH

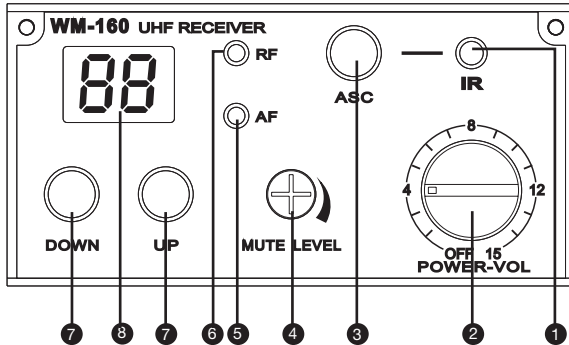
FRANCAIS

ESPAÑOL

POLSKI

ITALIANO

FUNKEMPFÄNGERMODUL:



1 IR-FENSTER

Sendet Infrarot-Signale zur Frequenzsynchronisation an den Sender.

2 POWER

Ein-/Ausschalter und Lautstärkeregler

3 ASC

Wählen Sie am Empfänger die Übertragungsfrequenz aus und drücken Sie anschließend die ASC-Taste, um Sender und Empfänger zu synchronisieren. Richten Sie das IR-Fenster (Infrarotschnittstelle) des Mikrofons vor das IR-Fenster des Empfängers. (Synchronisation mit Taschensender: Drücken Sie am Taschensender und am Empfänger die Taste "ASC", um die Synchronisation zu aktivieren.)

4 MUTE LEVEL

Squelch-Einstellung am Empfänger:
Die Squelch-Funktion dient der Rauschunterdrückung, wenn der Sender ausgeschaltet ist oder der Empfänger kein hinreichend starkes Signal vom Sender empfangen kann.

Der Squelch-Wert (Mute-Pegel) des Empfängers ist bereits ab Werk optimal eingestellt. Normalerweise ist keine weitere Justierung mehr erforderlich.

Sollte doch einmal eine Nachjustierung notwendig sein, stellen Sie den Squelch-Wert so ein, dass der Empfänger nicht rauscht, wenn der Sender abgeschaltet ist.

5 AF LED

Leuchtet auf, sobald ein Audiosignal anliegt.

6 RF LED

Zeigt an, ob das Modul ein Funksignal (HF-Signal) empfängt.

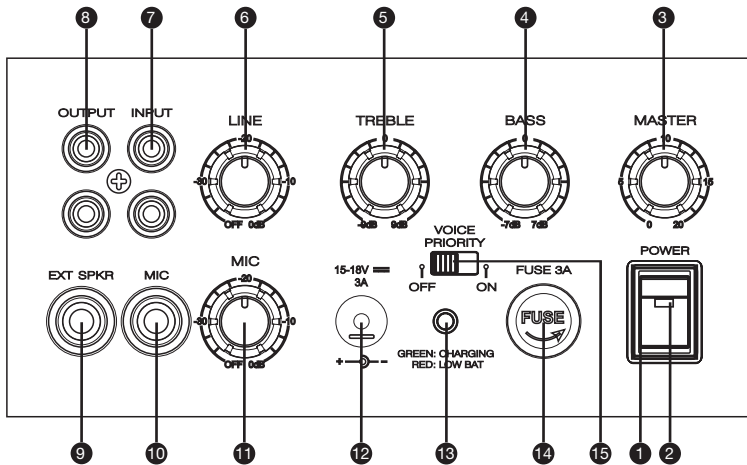
7 UP / DOWN

Auswahl Funkkanal 1 - 16

8 LED-DISPLAY

Kanalnummernanzeige

BEDIENBEREICH:



1 POWER-SCHALTER

Haupt-Netzschalter (Ein-/Ausschalter des gesamten Systems)

2 LED-ANZEIGE

Leuchtet rot, wenn das System in Betrieb ist (eingeschaltet).

3 MASTER VOLUME

Haupt-Lautstärkereger des Systems

4 BASS

Klangregler für den Bassbereich (Tiefen)

5 TREBLE

Klangregler für den Hochtonbereich (Höhen)

6 LINE VOLUME

Lautstärkereger für den Line-Eingang (Cinch)

7 LINE-IN (CINCH)

8 LINE-OUT (CINCH)

9 6,3 MM KLINGENANSCHLUSS FÜR EXTERNEN LAUTSPRECHER

An diesen Ausgang können Sie einen zusätzlichen passiven Lautsprecher anschließen. Bei Belegung dieses Ausgangs kommt der Ton sowohl aus dem Roadboy als auch aus dem passiven Zusatz-Lautsprecher (Impedanz min. 4 Ω).

10 MIKROFON-EINGANG

11 LAUTSTÄRKEREGLER MIKROFON

12 ANSCHLUSS FÜR NETZADAPTER

13 AKKU-STATUSANZEIGE

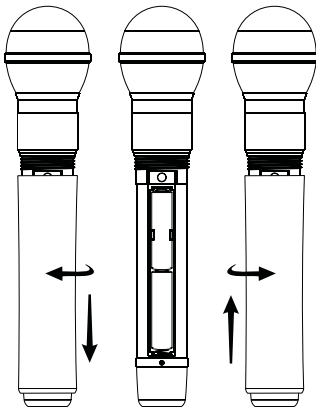
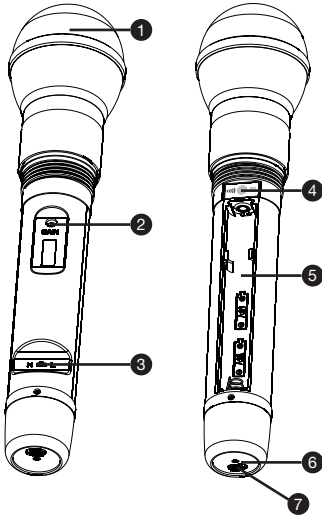
LED-Anzeige: Akku-Ladestatus niedrig (rot), Akku wird geladen (grün blinkend), Akku voll geladen (grün)

14 SICHERUNG (3 A)

15 "VOICE PRIORITY"-SCHALTER

Bei Musikwiedergabe bewirkt die "Voice Priority"-Funktion eine automatische Reduktion der Musiklautstärke, wenn das Mikrofon angesprochen wird. Sobald Sie aufhören zu sprechen, wird die Musiklautstärke automatisch wieder angehoben.

HANDESENDER:



1 MIKROFONKORB

2 GAIN

Mit diesem Regler steuern Sie die Empfindlichkeit des Mikrofons (Drehung nach links reduziert die Empfindlichkeit, Drehung nach rechts erhöht sie). Die Empfindlichkeit ist bereits ab Werk (für die meisten Anwendungen) optimal eingestellt.

3 RF-SCHALTER (FUNKSIGNAL)

"H" steht für "High" (starkes Signal), "L" für "Low" (schwaches Signal).

4 IR-SCHNITTSTELLE

5 BATTERIEFACH

Bitte legen Sie 2 Batterien vom Typ "AA" (LR 6, 1,5 V) ein.

6 POWER/ASC

LED leuchtet grün: Mikrofon eingeschaltet
LED blinkt grün: Infrarot-Übertragung aktiv
LED blinkt rot: Batteriestatus niedrig

7 EIN-/AUSSCHALTER

AUSTAUSCHEN DER BATTERIEN

Wenn die Batteriestatus-LED blinkt, tauschen Sie die Batterien bitte sofort aus.

SYSTEMEINSTELLUNGEN UND BEDIENUNG:

ENGLISH

DEUTSCH

FRANCAIS

ESPAÑOL

POLSKI

ITALIANO

DER EINGANG FÜR DRAHTGEBUNDENE MIKROFONE

Schließen Sie den 6,3-mm-Klinkenstecker Ihres Mikrofonskabels an den mit MIC gekennzeichneten Klinkeneingang an. Dieser Eingang befindet sich auf der Rückseite des Roadboy. Stellen Sie sicher, dass das andere Ende des Kabels korrekt mit dem Mikrofon verbunden ist. Wenn Ihr Mikrofon über einen Ein-/Ausschalter verfügt, schalten Sie das Mikrofon bitte ein. Stellen Sie mittels des MIC-Gain-Reglers den optimalen Mikrofonpegel (im Verhältnis zum Line-Pegel) ein. Ein zu hoher Mikrofonpegel kann Verzerrungen (Übersteuerung) verursachen.

DAS FUNKEMPFÄNGER-MODUL

Stellen Sie zu Beginn den MASTER-Lautstärkereglers des Roadboy auf "0". Anschließend drehen Sie den POWER-VOL-Regler des Funkempfänger-Moduls in Mittelstellung ("zwölf Uhr"). Nun können Sie den Sender (Handmikrofon oder Taschensender) mit Hilfe der ASC-Funktion mit dem integrierten Empfänger synchronisieren. Drücken Sie die ASC-Taste des Funkempfänger-Moduls; die ASC-LED blinkt rot.

Wenn Sie einen Handsender einsetzen: Der Infrarot-Sensor (IR) befindet sich im Batteriefach unterhalb der Kapsel. Halten Sie ihn nah an den IR-Sensor des Funkempfänger-Moduls.

Wenn Sie einen Taschensender einsetzen: Es ist erforderlich, dass Sie die ASC-Funktion auch am Taschensender aktivieren. Halten Sie dann den Infrarot-Sensor des Taschensenders ("IR", auf der Rückseite) nah an das IR-Fenster des Funkempfänger-Moduls. Die Synchronisation dauert einige Sekunden. Falls Sie ein zweites Funk-Modul (optional) installiert haben, vergewissern Sie sich bitte, dass nicht beide Module auf derselben Frequenz betrieben werden (siehe Frequenzliste). So vermeiden Sie Interferenzen. Das Blinken der "RF"-LED zeigt an, dass Ihr System funktioniert und die Synchronisation erfolgreich war. Nun können Sie den MASTER-Lautstärkereglers Ihres Roadboy auf die gewünschte Lautstärke einstellen.

Der maximale Abstand zwischen Funkmikrofon (oder Taschensender) und dem Empfänger-Modul beträgt ca. 60 m im freien Feld.

DER "EXT. SPEAKER" -AUSGANG

Verwenden Sie für den Anschluss eines externen Lautsprechers ein Lautsprecherkabel mit 6,3-mm-Klinkenstecker. Der Lautsprecher sollte eine Impedanz zwischen 4 und 8 Ohm sowie eine Maximalbelastbarkeit von mindestens 25 W aufweisen.

SO LADEN SIE DEN AKKU DES ROADBOY

Schließen Sie das im Lieferumfang des Roadboy enthaltene Netzteil (16 V / 3 A) an, wenn Sie das System ohne Akku betreiben oder den Akku aufladen möchten. Die Ladezeit beträgt 8 Stunden. Wenn der Akku vollständig aufgeladen ist, wird der Ladevorgang automatisch beendet. Sie können den Roadboy auch am Stromnetz angeschlossen betreiben.

WICHTIGER HINWEIS!

Wenn Sie den Akku neu einlegen oder ersetzen, beachten Sie bitte UNBEDINGT die Polarität! Rot = + (plus) // Schwarz = - (minus).

Bei jeder möglichen Gelegenheit den Akku voll aufladen. Niemals einen Blei-Akku völlig entladen, leer oder halbvoll lagern. Bei längerer Nichtbenutzung und Lagerung muss der Akku in regelmäßigen Abständen voll aufgeladen werden.



TECHNISCHE DATEN:

BASIC SPECIFICATIONS

Output power: MAX 100 W RMS / 4 Ω
Frequency response: 80 Hz - 15 kHz
Maximum sound pressure: 110 dB
Speaker: 6.5 - inch full range
Power: 200 V - 250 V Switching power supply
DC 16 V / 3 A
Batteries: 12 V / 2,6 AH
Battery life: ~8h
THD: <0,5 %
Size (W x H x D): 300 x 200 x 230 mm
Weight: 5 kg
Receiver module: 863 - 865 MHz

CD PLAYER

Product type:
Compact disc digital audio system with mechanic & electronic anti-shock CD, CD-R, MP3, WMA, USB, SD, MP3, WMA available.
Disc loading: Slot-in Type
Supply voltage: DC 12 V (10 ~ 16 V)
Power consumption: < 5 W
Dimensions (W x H x D): 160 x 147.4 x 68.5 mm
Weight: 1.2 kg

RECEIVER

Channels: 16
Carrier frequency range: 863 - 865 MHz
Audio bandwidth: 60 Hz - 16 kHz
THD: <1%
Signal/noise ratio: >100 dB
Modulation: FM
Dimensions: 73 x 36 x 120 mm
Net weight: 100 g
Power requirements: 12 V DC

HANDHELD TRANSMITTER

Channels: 16
Carrier frequency range: 863 - 865 MHz
Capsule type: Dynamic
Polar pattern: Cardioid
RF Output power: 10 mW
Audio bandwidth: 60 Hz - 16 kHz
Signal/noise ratio: >102 dB
Modulation: FM
Dimensions: 235 x 54 mm
Net weight: 280 g
Power requirements: 2 x „AA“ -batteries
Battery Life: >10 hours

BELT PACK TRANSMITTER

Channels: 16
Carrier frequency range: 863 - 865 MHz
RF Output power: 10 mW
Max. input level: 6 mV
Audio bandwidth: 60 Hz - 16 kHz
Signal/noise ratio: >102 dB
Modulation: FM
Dimensions: 85 x 65 x 24 mm
Net weight: 80 g
Power requirements: 2 x „AA“ -batteries
Battery Life: >10 hours, depending on batteries

Da alle unsere Produkte ständig kontrolliert und verbessert werden, sind technische Änderungen ohne vorherige Ankündigung möglich.

ENGLISH

DEUTSCH

FRANCAIS

ESPAÑOL

POLSKI

ITALIANO

TECHNISCHE DATEN:

LDWS1616 / Roadman / Roadboy

Frequenzliste für intermodulationsfreien Einsatz von bis zu drei Funkmikrofonen gleichzeitig.

Nr.	Frequenz (MHz)	Gleichzeitig
1	863,100	X
2	863,900	
3	864,500	
4	864,900	
5	863,200	
6	863,300	
7	863,400	
8	863,500	
9	863,600	
10	863,700	X
11	863,800	
12	864,000	
13	864,100	X
14	864,200	
15	864,300	
16	864,400	

ENGLISH

DEUTSCH

FRANCAIS

ESPAÑOL

POLSKI

ITALIANO

HERSTELLERERKLÄRUNGEN:

GAZANTIEBESTIMMUNGEN

Diese Garantie erstreckt sich auf die Marken Adam Hall, LD Systems, Defender, Palmer und Cameo.

Sie gilt für alle Produkte im Vertrieb von Adam Hall.

Diese Garantieerklärung berührt nicht die gesetzlichen Gewährleistungsansprüche an den Hersteller, sondern erweitert diese um zusätzliche Garantieansprüche gegenüber der Firma Adam Hall.

Adam Hall garantiert für den Zeitraum von zwei beziehungsweise fünf Jahren (bitte produktspezifisch erfragen) ab Kaufdatum, dass dieses Adam Hall-Produkt, welches Sie direkt über Adam Hall oder einen von Adam Hall autorisierten Händler erworben haben, bei bestimmungsgemäßem Gebrauch frei von Material- und Fertigungsfehlern ist.

Der Garantiezeitraum beginnt mit dem Kaufdatum des Produkts, das im Garantiefall entsprechend nachzuweisen ist (durch Vorlegen der Rechnung oder des Lieferscheins mit dem Kaufdatum). Sollte bei Produkten der oben genannten Marken innerhalb der Garantiezeit eine Reparatur erforderlich sein, sind Sie berechtigt, diese zu den hier aufgeführten Bedingungen durchführen zu lassen.

Innerhalb des Garantiezeitraums übernimmt Adam Hall die Reparatur oder den Ersatz der defekten Komponente(n) bzw. des Produkts. Im Falle einer Reparatur bzw. eines Austauschs innerhalb des Garantiezeitraumes gehen ausgewechselte Originalteile bzw. Produkte in das Eigentum der Firma Adam Hall über.

Sollte der unwahrscheinliche Fall eintreten, dass bei dem von Ihnen erworbenen Produkt ein Fehler wiederholt auftritt, hat die Firma Adam Hall das Recht, das defekte Produkt nach eigenem Ermessen durch ein anderes Produkt zu ersetzen, sofern das neue dem ausgetauschten Produkt in Bezug auf die technischen Spezifikationen mindestens gleichwertig ist.

Adam Hall übernimmt keine Garantie für einen störungs- und/oder fehlerfreien Betrieb dieses Produkts. Auch für Schäden durch Nichtbeachtung der diesem Adam Hall-Produkt beiliegenden Bedienungsanleitung und anderen Unterlagen ist Adam Hall nicht verantwortlich. Die Herstellergarantie gilt nicht - für Verschleißteile (z. B. Akkus) - für Produkte, von denen die Seriennummer entfernt wurde oder die aufgrund eines Unfalls beschädigt wurden - für Schäden durch unsachgemäßen Betrieb, durch Fehlbedienung oder andere externe Gründe

- für Schäden an Geräten, die nicht entsprechend den Betriebsparametern betrieben wurden (Parameter gemäß den im Lieferumfang enthaltenen Unterlagen),

- für Schäden durch die Verwendung nicht von Adam Hall hergestellter, vertriebener oder empfohlener Ersatzteile,

- für Schäden durch Fremdeingriffe/Modifikationen oder nicht durch Adam Hall durchgeführte Reparaturen.

Diese Bestimmungen und Bedingungen stellen die vollständige und ausschließliche Garantievereinbarung zwischen Ihnen und Adam Hall für das von Ihnen erworbene Adam Hall-Produkt dar.

HAFTUNGSBESCHRÄNKUNG

Falls an Hardware-Produkten von Adam Hall innerhalb der Garantiezeit Material- oder Verarbeitungsfehler (gemäß der Garantieerklärung oben) auftreten, besteht Ihr alleiniger und ausschließlicher Anspruch aus dieser Garantie in der Reparatur oder dem Austausch des Geräts. Die maximale Haftung der Firma Adam Hall ist entsprechend dieser Garantie ausdrücklich auf den Kaufpreis oder die Kosten für eine Reparatur oder Ersatz – und zwar den jeweils niedrigeren Betrag – der bei üblichem Gebrauch fehlerhafter Komponenten begrenzt.

Adam Hall ist nicht haftbar für jegliche durch das Produkt oder das Versagen des Produkts verursachte Schäden, einschließlich Gewinneinbußen und unterbliebener Einsparungen sowie besonderer, indirekter oder Folgeschäden. Des Weiteren ist Adam Hall nicht haftbar gegenüber Rechtsansprüchen Dritter oder durch Sie im Namen Dritter angemeldeten Forderungen.

Diese Haftungsbeschränkung gilt unabhängig davon, ob Schäden gerichtlich verfolgt oder Schadensersatzansprüche im Rahmen dieser Garantie oder aufgrund unerlaubter Handlungen (einschließlich Fahrlässigkeit und Gefährdungshaftung) oder aufgrund vertraglicher oder sonstiger Ansprüche gestellt werden, und kann von niemandem aufgehoben oder verändert werden. Diese Haftungsbeschränkung ist auch dann gültig, wenn Sie die Firma Adam Hall oder einen autorisierten Vertreter von Adam Hall auf die Möglichkeit solcher Schäden aufmerksam gemacht haben, nicht jedoch bei Schadensersatzansprüchen in Zusammenhang mit Personenschäden.

Diese Herstellergarantie räumt Ihnen bestimmte Rechte ein; je nach Gerichtsbarkeit (Staat oder Land) stehen Ihnen möglicherweise weitere Ansprüche zu. Es ist ratsam, in solchen Fällen die entsprechenden Gesetze heranzuziehen, um Ihre Rechte umfassend zu ermitteln.

INANSPRUCHNAHME DER GARANTIE

Wenden Sie sich im Garantiefall direkt an Adam Hall oder den von Adam Hall autorisierten Händler, bei dem Sie das Produkt erworben haben.

EG-KONFORMITÄTserklärung

Die von Adam Hall vertriebenen Geräte entsprechen (soweit zutreffend) den grundlegenden Anforderungen und weiteren relevanten Spezifikationen der Richtlinien 1999/5/EC (R&TTE), 2004/108/EC (EMC) und 2006/95/EC (LVD). Weitere Informationen finden Sie unter www.adamhall.com.

HERSTELLERERKLÄRUNGEN:

ENGLISH

DEUTSCH

FRANCAIS

ESPAÑOL

POLSKI

ITALIANO

KORREKTE ENTSORGUNG DIESES PRODUKTES

(Gültig in der Europäischen Union und anderen europäischen Ländern mit Mülltrennung)



Dieses Symbol auf dem Produkt oder dazugehörigen Dokumenten weist darauf hin, dass das Gerät am Ende der Produktlebenszeit nicht zusammen mit dem normalen Hausmüll entsorgt werden darf, um Umwelt- oder Personenschäden durch unkontrollierte Abfallentsorgung zu vermeiden. Bitte entsorgen Sie dieses Produkt getrennt von anderen Abfällen und führen es zur Förderung nachhaltiger Wirtschaftskreisläufe dem Recycling zu.

Als Privatkunde erhalten Sie Informationen zu umweltfreundlichen Entsorgungsmöglichkeiten über den Händler, bei dem das Produkt erworben wurde, oder über die entsprechenden regionalen Behörden.

Als gewerblicher Nutzer kontaktieren Sie bitte Ihren Lieferanten und prüfen die ggf. vertraglich vereinbarten Konditionen zur Entsorgung der Geräte. Dieses Produkt darf nicht zusammen mit anderen gewerblichen Abfällen entsorgt werden.

UMWELTSCHUTZ UND ENERGIESPAREN

Energiesparen ist ein aktiver Beitrag zum Umweltschutz. Schalten Sie bitte alle nicht benötigten elektrischen Geräte aus. Um zu verhindern, dass nicht benötigte Geräte im Standby-Modus Strom verbrauchen, ziehen Sie den Netzstecker.

Adam Hall GmbH, alle Rechte vorbehalten. Die technischen Daten und die funktionalen Produkteigenschaften können Änderungen und Irrtümer vorbehalten. Das Kopieren, die Übersetzung, und alle anderen Formen des Kopierens von Fragmenten oder der Vollständigkeit dieser Bedienungsanleitung ist untersagt.

ENGLISH

DEUTSCH

FRANCAIS

ESPAÑOL

POLSKI

ITALIANO



ENGLISH

DEUTSCH

FRANCAIS

ESPAÑOL

POLSKI

ITALIANO

Vous avez fait le bon choix !

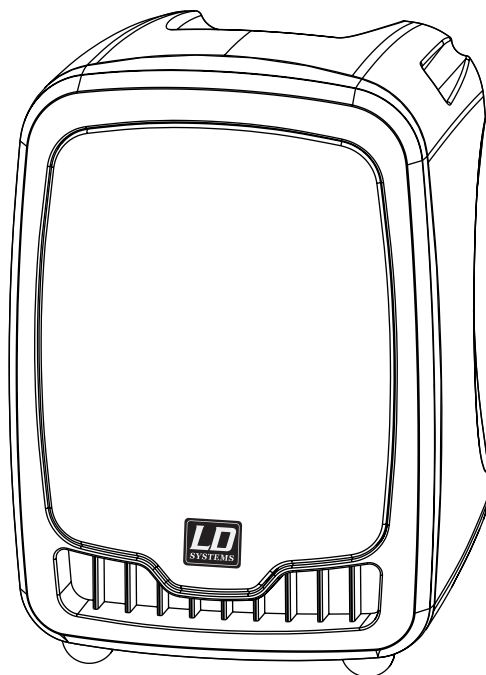
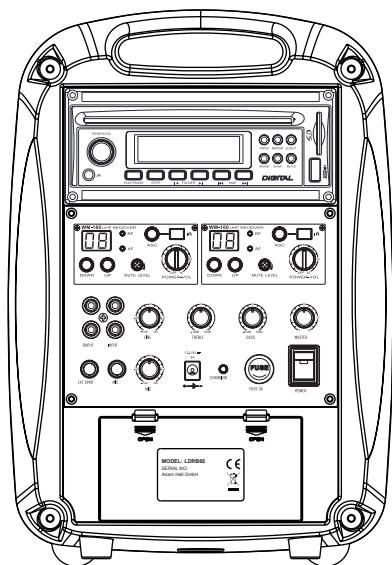
Cet appareil a été développé et fabriqué en appliquant des exigences de qualité très élevées : il garantit des années de fonctionnement sans problème. Grâce à de nombreuses années d'expérience, LD Systems est un nom connu dans le domaine des produits audio haut de gamme.

Veuillez lire attentivement ce Manuel Utilisateur : vous apprendrez rapidement à utiliser votre appareil LD Systems de façon optimale.

Pour plus d'informations sur LD Systems, visitez notre site Web, WWW.LD-SYSTEMS.COM

LD ROADBOY 6.5

SONORISATION MOBILE 100 W



ENGLISH

DEUTSCH

FRANCAIS

ESPAÑOL

POLSKI

ITALIANO

MESURES PRÉVENTIVES :

1. Veuillez lire attentivement ce manuel.
2. Rangez tous les documents d'information et d'instructions en lieu sûr.
3. Veuillez suivre toutes les instructions
4. Observez tous les messages d'avertissement N'enlevez pas de l'appareil les étiquettes de sécurité ou autres informations.
5. N'utilisez l'appareil que pour des applications et de la façon appropriées.
6. Utilisez exclusivement des pieds et des dispositifs de fixation stables et adaptés lorsque l'appareil est utilisé en installation fixe. Assurez-vous que les fixations murales ont été montées correctement, et qu'elles sont sécurisées. Vérifiez que l'appareil est installé en toute sécurité, et qu'il ne peut pas tomber.
7. Lors de l'installation, observez les réglementations de sécurité en vigueur dans votre pays.
8. N'installez et n'utilisez pas l'appareil à proximité de radiateurs, d'accumulateurs de chaleur, de fours ou de toute autre source de chaleur. Vérifiez que l'appareil est installé de façon à bénéficier en permanence d'un refroidissement efficace et qu'il ne peut pas chauffer de façon excessive.
9. Ne placez aucune source de flamme sur l'appareil – par exemple, une bougie allumée.
10. Ne bloquez pas les orifices d'aération.
11. N'utilisez pas l'appareil à proximité immédiate d'eau (à moins qu'il ne s'agisse d'un appareil conçu pour une utilisation en extérieur – dans ce cas, respectez les instructions correspondantes ci après) Ne mettez pas l'appareil en contact avec des matériaux, des liquides ou des gaz inflammables.
12. Vérifiez qu'aucune projection ou liquide ne puisse s'introduire dans l'appareil. Ne posez sur l'appareil aucun objet renfermant du liquide : vase, verre d'eau...
13. Vérifiez qu'aucun petit objet ne puisse tomber à l'intérieur de l'appareil.
14. N'utilisez avec cet appareil que des accessoires recommandés et approuvés par le fabricant.
15. N'ouvrez pas l'appareil, et n'essayez pas de le modifier.
16. Lors du branchement de l'appareil, sécurisez le passage du câble secteur, afin d'éviter tout dommage ou accident, par exemple quelqu'un qui trébucher sur le câble.
17. Lors du transport, vérifiez que l'appareil ne peut tomber, ce qui pourrait provoquer des dommages matériels et/ou corporels.
18. Si votre appareil ne fonctionne plus correctement, que de l'eau ou des objets ont pénétré à l'intérieur, ou qu'il a été endommagé de quelque façon que ce soit, éteignez-le immédiatement et débranchez sa prise secteur (s'il s'agit d'un appareil alimenté). Cet appareil ne doit être réparé que par un personnel autorisé.
19. Pour le nettoyage de l'appareil, utilisez un chiffon sec/
20. Observez toutes les réglementations en vigueur dans votre pays pour mettre l'appareil au rebut. Lorsque vous jetez l'emballage de l'appareil, veuillez séparer plastique, papier et carton.
21. Les films plastique doivent être mis hors de portée des enfants.

APPAREILS RELIÉS AU SECTEUR :

22. ATTENTION : Si le câble de l'appareil est muni d'un fil de terre, il doit être relié à une prise murale avec terre. Ne désactivez jamais la mise à la terre d'un appareil.
23. N'allumez pas l'appareil immédiatement s'il a subi une grande différence de température ambiante (par exemple, lors du transport). L'humidité et la condensation pourraient l'endommager. Ne mettez l'appareil sous tension que lorsqu'il est parvenu à la température de la pièce.
24. Avant de relier l'appareil à la prise murale, vérifiez que la valeur et la fréquence de tension secteur sur laquelle il est réglé correspondent bien à la valeur et à la fréquence de la tension secteur locale. Si l'appareil possède un sélecteur de tension, ne le branchez sur la prise murale qu'après avoir vérifié que la valeur réglée correspond à la valeur effective de la tension secteur. Si la fiche du cordon secteur ou du bloc adaptateur livré avec votre appareil ne correspond pas au format de votre prise murale, veuillez consulter un électricien.
25. Ne piétinez pas le câble secteur. Assurez-vous que le câble secteur n'est pas trop pincé, notamment au niveau de l'arrière de l'appareil (ou de son adaptateur secteur) et de la prise murale.

SÉCURITÉ :

ENGLISH

DEUTSCH

FRANCAIS

ESPAÑOL

POLSKI

ITALIANO

26. Lors du branchement de l'appareil, vérifiez que l'accès au câble secteur ou au bloc adaptateur reste facile. Sortez la fiche secteur de la prise murale dès que vous n'utilisez pas l'appareil pendant un certain temps, ou si vous désirez nettoyer l'appareil. Pour ce faire, tirez toujours sur la fiche elle-même, ou sur le bloc secteur lui-même ; ne tirez jamais sur le câble. Ne manipulez jamais le câble secteur ou l'adaptateur secteur avec des mains mouillées.
27. N'éteignez/rallumez pas l'appareil rapidement plusieurs fois de suite : vous risquez de réduire la longévité de ses composants internes.
28. CONSEIL IMPORTANT : Ne remplacez le fusible que par un fusible de même type et du même calibre. Si le fusible fond de façon répétée, veuillez consulter un centre de réparations agréé.
29. Pour séparer complètement l'appareil du secteur, débranchez le cordon secteur ou l'adaptateur de la prise murale.
30. Si votre appareil est muni d'un connecteur secteur verrouillable (Volex), il faut d'abord déverrouiller le mécanisme avant d'enlever le cordon secteur. Attention, lorsque vous retirez le câble secteur, à ne pas faire bouger l'appareil, ce qui pourrait se traduire par un risque de chute, de blesser quelqu'un, ou tout autre dommage. Manipulez toujours le cordon secteur avec soin.
31. Débranchez la fiche secteur ou l'adaptateur de la prise murale en cas d'orage, ou si vous n'utilisez pas l'appareil pendant une longue période.



ATTENTION :

Ne démontez jamais le couvercle de l'appareil, vous risquez de recevoir un choc électrique. L'appareil ne renferme aucune pièce ni composant réparable ou remplaçable par l'utilisateur. Ne confiez sa réparation qu'à un personnel technique qualifié.



Le pictogramme en forme de triangle équilatéral renfermant un éclair signale à l'utilisateur la présence à l'intérieur de l'appareil d'une tension dangereuse non protégée, suffisamment élevée pour présenter un risque pour les personnes.



Le pictogramme en forme de triangle équilatéral renfermant un point d'exclamation signale à l'utilisateur la présence d'instructions importantes concernant l'utilisation ou l'entretien de l'appareil.

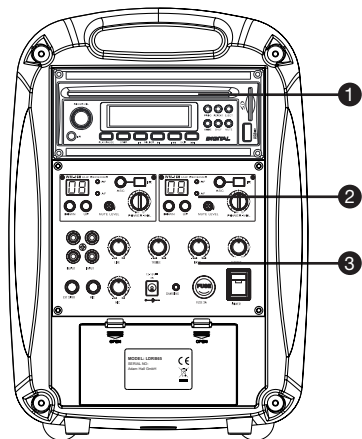
ATTENTION NIVEAUX SONORES ÉLEVÉS SUR LES PRODUITS AUDIO

Cet appareil a été conçu en vue d'une utilisation professionnelle. L'utilisation commerciale de cet appareil est soumise aux réglementations et directives en vigueur dans votre pays en matière de prévention d'accident. En tant que fabricant, Adam Hall est tenu de vous avertir formellement des risques relatifs à la santé. Risques provoqués par une exposition prolongée à des niveaux sonores élevés : Lors de l'utilisation de ce produit, il est possible d'atteindre des niveaux de pression sonore (exprimés en dB SPL) élevés, susceptibles de provoquer des dommages auditifs irréparables chez les artistes, les techniciens et le public. Évitez toute exposition prolongée à des niveaux de pression sonore élevés (supérieurs à 90 dB SPL).

ATTENTION ! CONSEILS IMPORTANTS POUR LES PRODUITS 'ÉCLAIRAGE

1. Ne regardez pas directement l'appareil si vous vous trouvez à une distance de moins de 40 cm.
2. Ne fixez jamais le rayon lumineux, même pendant une courte durée, même à distance moyenne.
3. Ne regardez jamais le rayon lumineux par l'intermédiaire d'un appareil optique grossissant (jumelles par exemple).
4. Les effets stroboscopiques peuvent, dans certaines circonstances, provoquer des crises d'épilepsie chez les sujets sensibles. Les personnes concernées doivent donc absolument éviter les lieux dans lesquels les stroboscopes sont utilisés.

PANNEAU ARRIÈRE :



1 LECTEUR DE CD

Lecteur de CD de type slot-in, avec port USB et SD
Lecteur CD avec fonction antichoc Formats de données reconnus (lecteur CD, lecteur CD, lecteur carte SD) : CD audio, MP3, WMA (sous réserve de modifications !)

2 MODULE RÉCEPTEUR HF

Le Roadboy 6.5 est équipé d'un module récepteur HF.
Si vous désirez utiliser deux micros HF simultanément, vous pouvez installer un second module récepteur HF.

3 DOMAINE D'UTILISATION

Réglage de volume Master, Micro (filaire), Line-In (entrée ligne)

EQ : Bass, Treble

Entrée / sortie ligne : RCA (cinch)

Sortie active pour enceinte externe

Indicateurs LED : Faible charge accus (rouge), charge en cours (vert clignotant), accus chargés (vert)

COMPOSANTS DU SYSTÈME :

Roadboy



Émetteur à main



Alimentation Secteur



Télécommande



(illustration indicative)

ENGLISH

DEUTSCH

FRANCAIS

ESPAÑOL

POLSKI

ITALIANO

ACCESSOIRES EN OPTION :

Serre-tête aérobic
résistant à l'eau (LDHSAE1)



Serre-tête résistant à l'eau (LDHSM1)



Housse de transport (LDSB21)



Micro sur serre-tête, noir (LDWS100MH1)



Émetteur de poche (LDWS1616BP)



Micro sur serre-tête, couleur chair



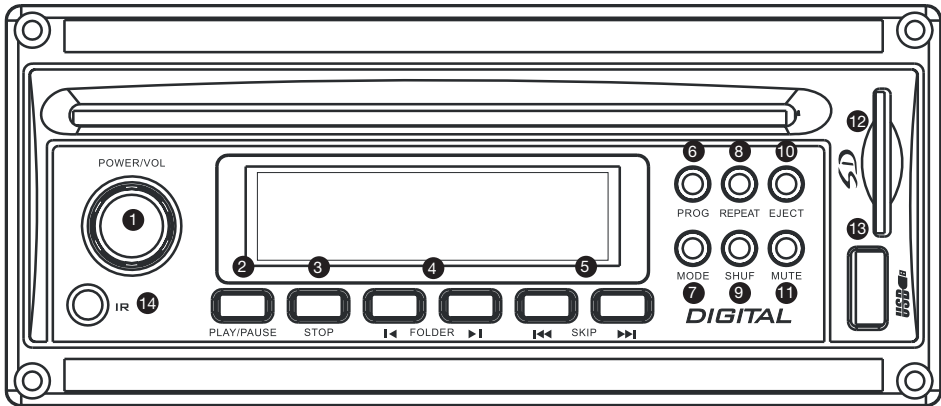
Récepteur HF supplémentaire (LDRM102R)



Pied d'encein
(LDST40)



LECTEUR DE CD :



ENGLISH

DEUTSCH

FRANCAIS

ESPAÑOL

POLSKI

ITALIANO

1 POWER/VOL

Interrupteur marche / arrêt, potentiomètre de réglage de volume
Appuyer sur le bouton pour allumer/éteindre.

2 PLAY / PAUSE

3 STOP

4 FOLDER

En mode lecture, les touches FOLDER (gauche/droite) servent à passer au premier titre du dossier précédent/suivant.

5 SKIP (GAUCHE/DROITE)

En mode lecture, les touches SKIP (gauche/droite) servent à passer au titre précédent/suivant. Maintenir une de ces touches enfoncées en cours de lecture fait passer en lecture accélérée avant (touche SKIP droite) ou arrière (touche SKIP gauche) dans le titre en cours d'écoute.

6 PROG (PROGRAMME)

Accès à la fonction de programmation de la lecture de titres sur le CD, la clé USB ou la carte SD. Dès que vous appuyez sur la touche PROG, la mention "PROG" clignote dans l'affichage, au-dessus du titre du morceau, et le numéro du titre apparaît. Vous pouvez alors choisir avec le potentiomètre VOLUME le numéro du premier titre programmé, et le valider en appuyant

sur la touche SHUF. Répétez cette procédure pour toute votre programmation. Le programme se lance automatiquement.

7 MODE

Appuyez sur cette touche pour passer d'une source de signal à une autre : carte SD, clé USB ou CD.

8 REPEAT

Appuyez une fois sur cette touche pour répéter la lecture du titre en cours.
Appuyez deux fois sur cette touche pour répéter la lecture de tous les titres.

9 SHUF

Lecture aléatoire

10 EJECT

Éjection du CD

11 MUTE

Coupure du son

12 SLOT CARTE SD

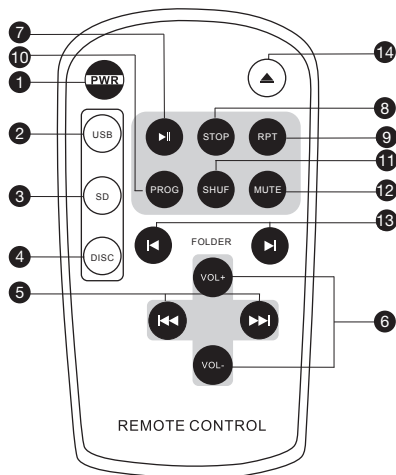
13 USB 2.0

Port pour clé mémoire USB

14 IR

Récepteur infrarouge pour la télécommande

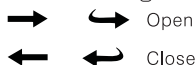
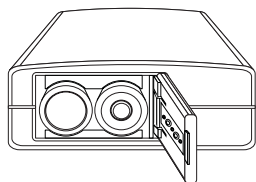
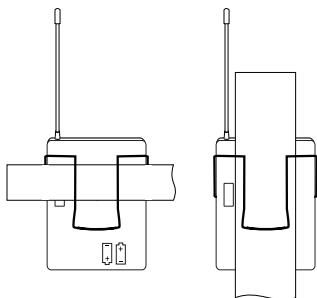
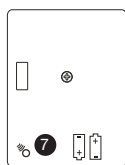
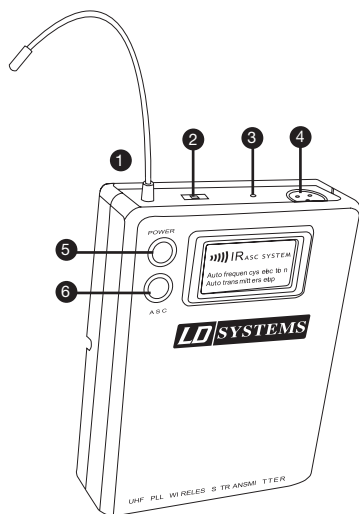
TÉLÉCOMMANDE :



Le RoadBoy 6.5 est équipé de deux modules récepteurs pour télécommande infrarouge : l'un en face avant, l'autre sur le panneau arrière. Vous pouvez ainsi télécommander l'enceinte où que vous soyez par rapport à elle.

- 1 **PWR (POWER)** : Interrupteur marche / arrêt
- 2 **USB** : Sélection du port USB
- 3 **SD** : Sélection du port pour carte SD
- 4 **DISC** : Sélection du lecteur de CD
- 5 **SKIP (GAUCHE/DROITE)** : En mode lecture, les touches SKIP (gauche/droite) servent à passer au titre précédent/suivant. Maintenir une de ces touches enfoncées en cours de lecture fait passer en lecture accélérée avant (touche SKIP droite) ou arrière (touche SKIP gauche) dans le titre en cours d'écoute.
- 6 **VOL +/-** : Réglage de volume Appuyez sur la touche (+) pour augmenter le niveau sonore, sur la touche (-) pour le réduire.
- 7 **PLAY / PAUSE**
- 8 **STOP**
- 9 **RPT (REPEAT)** : Appuyez une fois sur cette touche pour répéter la lecture du titre en cours. Appuyez deux fois sur cette touche pour répéter la lecture de tous les titres.
- 10 **PROG (PROGRAMME)** : Accès à la fonction de programmation de la lecture de titres sur le CD, la clé USB ou la carte SD. Dès que vous appuyez sur la touche PROG, la mention "PROG" clignote dans l'affichage, au-dessus du titre du morceau, et le numéro du titre apparaît. Vous pouvez alors choisir avec les touches VOLUME (+/-) le numéro du premier titre programmé, et le valider en appuyant sur la touche SHUF. Répétez cette procédure pour toute votre programmation. Le programme se lance automatiquement.
- 11 **SHUF (SHUFFLE)** : Lecture aléatoire
- 12 **MUTE** : Coupure du son
- 13 **FOLDER** : En mode lecture, les touches FOLDER (gauche/droite) servent à passer au premier titre du dossier précédent/suivant.
- 14 (UP arrow)

ÉMETTEUR DE POCHE :



1 ANTENNE

2 RÉGLAGE DE GAIN

Micro : Position pour microphone
0 Position pour guitare avec capteurs passifs
-10 dB : Position pour guitare avec capteurs actifs

3 LED POWER

Verte : Alimentation :
Rouge : Faible charge batterie
Rouge clignotant : Télécommande infrarouge active

4 ENTRÉE MICROPHONE (MINI-XLR)

5 TOUCHE POWER (ON/OFF)

6 TOUCHE ASC (SYNCHRONISATION)

Synchronisation des fréquences via infrarouge

7 PORT IR

FIXATION DE L'ÉMETTEUR DE POCHE

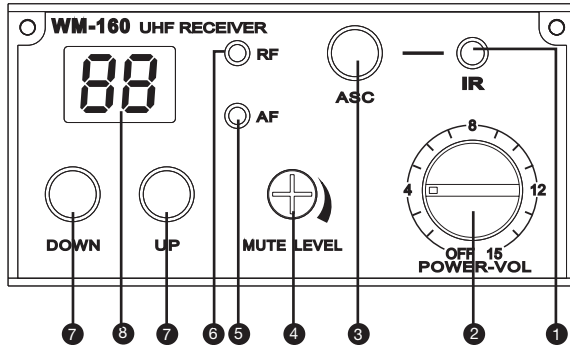
Accrochez l'émetteur à votre ceinture ou à la sangle de votre guitare. Pour assurer le meilleur maintien possible, faites passer la pince sur la plus grande largeur possible de la ceinture ou de la sangle.

Les guitaristes ont également la possibilité de faire passer leur bandoulière directement à travers la pince.

REMPACEMENT DES PILES

Si l'indicateur d'état des piles clignote en rouge, remplacez immédiatement les piles (voir illustration de gauche). Veuillez utiliser deux piles alcalines 1,5 Volts de type AA (LR 06).

MODULE RÉCEPTEUR HF :



1 PORT IR

Envoie vers l'émetteur des données par infrarouge pour synchronisation des fréquences

2 POWER

Interrupteur On/Off et potentiomètre de réglage de volume

3 ASC

Réglez la fréquence d'utilisation désirée sur le récepteur, puis appuyez sur la touche ASC pour synchroniser l'émetteur et le récepteur. Mettez en regard le port infrarouge du microphone et celui du récepteur. (synchronisation avec l'émetteur de poche : Appuyez simultanément sur la touche "ASC" de l'émetteur de poche et du récepteur, pour activer la synchronisation des fréquences.

4 MUTE LEVEL

Réglage du niveau de Squelch sur le récepteur : La fonction Squelch permet de couper le bruit de fond de réception lorsque l'émetteur est éteint ou lorsque le récepteur n'arrive plus à capter un signal assez fort en provenance de l'émetteur. La valeur de Squelch (niveau de seuil) de l'émetteur est réglée en usine sur une valeur optimale. Normalement, aucune modification ultérieure de réglage n'est nécessaire. Si une modification s'avère quand même nécessaire, réglez la valeur de Squelch de telle façon que le

récepteur ne génère pas de souffle lorsque l'émetteur est éteint.

5 LED AF

Indique la réception d'un signal audio par le module.

6 LED RF

Indique la réception d'un signal HF par le module.

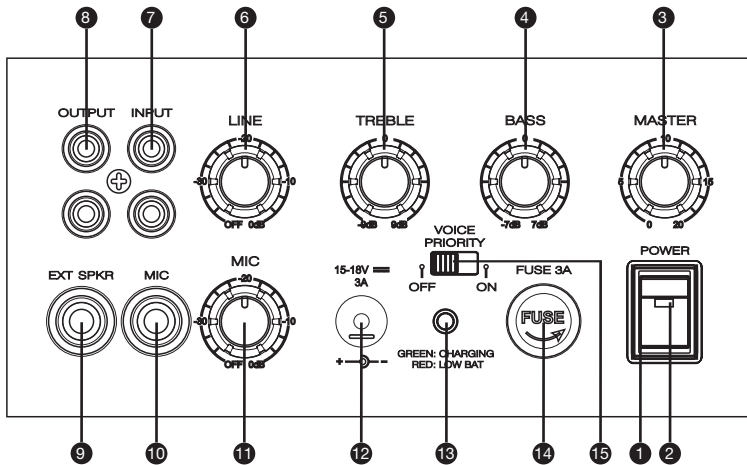
7 UP / DOWN

Choix du canal HF, de 1 à 16

8 AFFICHEUR LED

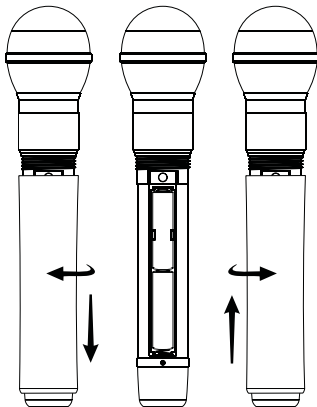
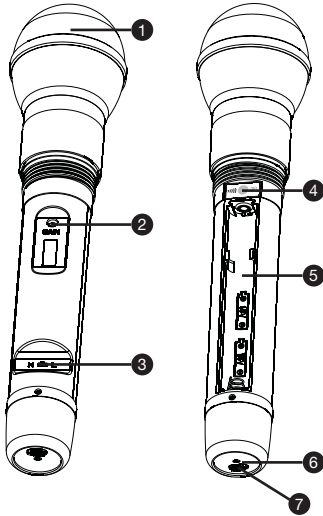
Indique le numéro de canal HF.

CONTRÔLES UTILISATEUR :



- 1 INTERRUPTEUR POWER** Interrupteur secteur (marche/arrêt de l'enceinte)
- 2 INDICATEUR LED** S'allume en rouge lorsque le système est en utilisation (allumé).
- 3 VOLUME MASTER** Réglage du volume global de l'enceinte
- 4 BASS** Potentiomètre de réglage des graves
- 5 TREBLE** Potentiomètre de réglage des aigus
- 6 LINE VOLUME** Potentiomètre de réglage de volume de l'entrée ligne (RCA)
- 7 LINE-IN (RCA)**
- 8 LINE-OUT (RCA)**
- 9 JACK 6,35 MM POUR ENCEINTE EXTERNE** Cette sortie permet de connecter une enceinte passive supplémentaire. Si vous utilisez cette sortie, le son est produit par la Roadboy et par l'enceinte passive supplémentaire (impédance minimale 4 Ω).
- 10 ENTRÉE MICROPHONE**
- 11 POTENTIOMÈTRE RÉGLAGE ENTRÉE MICROPHONE**
- 12 CONNECTEUR POUR ALIMENTATION SECTEUR**
- 13 INDICATEUR STATUT ACCUS** Indicateur LED : Faible charge (rouge), en cours de charge (vert clignotant), pleine charge (vert)
- 14 FUSIBLE (3 A)**
- 15 SÉLECTEUR VOICE PRIORITY** En cours de diffusion musicale, la fonction Voice Priority assure une réduction automatique du niveau de la musique lorsqu'on parle dans le microphone. Dès que la voix disparaît, la musique retrouve son niveau original. Cette fonction s'appelle aussi "Talkover" ou "Ducking".

ÉMETTEUR À MAIN :



1 GRILLE MICROPHONE

2 GAIN

Ce potentiomètre permet de régler la sensibilité du microphone (vers la gauche pour réduire la sensibilité, vers la droite pour l'augmenter).

La sensibilité est réglée en usine sur une valeur convenant à la plupart des applications.

3 SÉLECTEUR HF (PUISSANCE ÉMISSION)

"H" correspond à "High" (puissance élevée), "L" à "Low" (puissance plus réduite).

4 PORT IR

5 COMPARTIMENT PILE

Veuillez mettre en place deux piles alcalines 1,5 Volts de type LR06 (AA).

6 INDICATEUR POWER/ASC

LED verte : Microphone sous tension.

LED verte clignotante : Synchronisation de fréquence HF en cours

LED rouge clignotante : Piles à remplacer

7 INTERRUPTEUR MARCHE / ARRÊT

REMPACEMENT DES PILES

Lorsque la LED clignote en rouge, remplacez immédiatement les piles.

RÉGLAGE ET UTILISATION DE L'ENCEINTE :

ENGLISH

DEUTSCH

FRANCAIS

ESPAÑOL

POLSKI

ITALIANO

ENTRÉE POUR MICRO FILAIRE

Reliez le connecteur jack 6,35 mm de votre câble micro à l'entrée jack repérée MIC. Cette entrée se trouve à l'arrière du Roadboy. Assurez-vous qu'à l'autre extrémité du câble, le microphone est connecté correctement. Si votre microphone est équipé d'un interrupteur, veuillez placer celui-ci sur Marche. Réglez le gain du micro à la valeur optimale, comparativement à l'entrée ligne, via le potentiomètre MIC. Un gain trop élevé peut provoquer de la distorsion (écrêtage du signal).

MODULE RÉCEPTEUR

Réglez tout d'abord le potentiomètre MASTER du Roadboy sur "0". Tournez ensuite le potentiomètre POWER-VOL du module récepteur HF en position médiane ("midi"). Vous pouvez alors synchroniser la fréquence de l'émetteur (microphone à main ou émetteur de poche) et celle du module récepteur, via la fonction ASC. Appuyez sur la touche ASC du module récepteur HF ; la LED ASC clignote en rouge.

Si vous utilisez un émetteur à main : Le port infrarouge (IR) se trouve dans le compartiment à piles, sous la capsule. Orientez le micro vers le module récepteur HF.

Si vous utilisez un émetteur de poche (beltpack) : Il faut également activer la fonction ASC sur l'émetteur de poche. Orientez ensuite le port infrarouge de l'émetteur de poche (repéré "IR", à l'arrière de l'appareil) et rapprochez-le du port infrarouge du module récepteur. La synchronisation prend quelques secondes. Dans le cas où vous avez installé un deuxième module récepteur HF (optionnel), vérifiez qu'il n'est pas réglé sur une fréquence identique à celle du premier (voir la liste des fréquences). Vous éviterez ainsi toute interférence. Le clignotement de la LED "RF" confirme que le système fonctionne et que la synchronisation a réussi. Vous pouvez alors régler le potentiomètre de volume MASTER de votre Roadboy sur la position désirée

La distance maximale entre le micro à main (ou l'émetteur de poche) et le module récepteur est d'environ 60 mètres en champ libre.

SORTIE "EXT. SPEAKER"

Cette sortie permet de connecter une enceinte externe, via un câble jack 6,35 mm. Cette enceinte doit être d'une impédance comprise entre 4 et 8 Ohms, et d'une puissance admissible minimale de 25 Watts.

RECHARGE DES ACCUMULATEURS DU ROADBOY

Si vous désirez utiliser le système sur secteur (sans accus) ou si vous désirez recharger les accumulateurs, branchez le bloc secteur livré avec le Roadboy (16 V / 3 A). La charge complète prend 8 heures. Lorsque l'accumulateur est complètement chargé, la tension de charge est coupée automatiquement. Vous pouvez utiliser le Roadboy lorsqu'il est branché sur le secteur.

CONSEIL IMPORTANT !

Lors de la mise en place ou du remplacement de l'accumulateur, veuillez respecter ABSOLUMENT la polarité ! Rouge = + (plus) // Noir = - (moins).

Dès que c'est possible, rechargez les accus à fond. Ne déchargez jamais complètement un accumulateur au plomb, et ne le laissez jamais déchargé ou même à moitié chargé. En cas de longue période de non-utilisation ou de stockage, l'accumulateur doit être chargé à fond à intervalles réguliers.



CARACTÉRISTIQUES TECHNIQUES :

CARACTÉRISTIQUES DE BASE

Puissance de sortie : Maxi 100 W efficaces / 4 Ω
Réponse en fréquence : 80 Hz - 15 kHz
Niveau maximal de pression sonore : 110 dB SPL
Haut-parleur : 165 mm (6,5 pouces) Full Range
Alimentation : 200 à 250 V, alimentation à découpage
Tension continue 16 Volts / 3 A
Batterie : 12 V / 2,6 Ah
Taux de distorsion harmonique (THD) : < 0,5 %
Dimensions (L x H x P) : 300 x 200 x 230 mm
Poids : 5 kg
Module récepteur : Fréquences 863 - 865 MHz

LECTEUR DE CD

Type :
Lecteur de CD audio avec dispositif antichoc, compatible
CD Audio, CD-R, MP3, WMA, avec ports USB et SD
(fichiers MP3 et WMA)
Chargement du disque : slot-in
Tension d'alimentation : continue 12 Volts (10 à 16 V)
Consommation : env. 5 W
Dimensions (L x H x P) : 160 x 147,4 x 68,5 mm
Masse : 1,2 kg

RÉCEPTEUR

Nombre de canaux HF : 16
Gamme de fréquences HF : 863 - 865 MHz
Bande passante audio : 60 Hz - 16 kHz
Taux de distorsion harmonique (THD) : < 1 %
Rapport Signal/Bruit : > 100 dB
Type de modulation : FM
Dimensions : 73 x 36 x 120 mm
Masse nette : 100 g
Alimentation : 12 V, tension continue

ÉMETTEUR À MAIN

Nombre de canaux HF : 16
Gamme de fréquences HF : 863 - 865 MHz
Type de capsule : Dynamique
Directivité : Cardioïde
Puissance d'émission HF : 10 mW
Bande passante audio : 60 Hz - 16 kHz
Rapport Signal/Bruit : > 102 dB
Type de modulation : FM
Dimensions : 235 x 54 mm
Masse nette : 280 g
Alimentation : 2 piles LR06 (AA)
Autonomie : >10 heures

ÉMETTEUR DE POCHE (BELT PACK)

Nombre de canaux HF : 16
Gamme de fréquences HF : 863 - 865 MHz
Puissance d'émission HF : 10 mW
Tension d'entrée maxi : 6 mV
Bande passante audio : 60 Hz - 16 kHz
Bande passante audio : > 102 dB
Type de modulation : FM
Dimensions : 85 x 65 x 24 mm
Masse nette : 80 g
Alimentation : 2 piles LR06 (AA)
Autonomie : >10 heures, selon la qualité des piles

Tous nos produits étant évalués et améliorés en permanence, des modifications techniques sont possibles sans préavis.

ENGLISH

DEUTSCH

FRANCAIS

ESPAÑOL

POLSKI

ITALIANO

ISTIQUES TECHNIQUES :

LDWS1616 / Roadman / Roadboy

Liste de fréquences pour une exploitation sans intermodulation (jusqu'à 3 micros HF simultanément)

Nr.	Frequenz (MHz)	Gleichzeitig
1	863,100	X
2	863,900	
3	864,500	
4	864,900	
5	863,200	
6	863,300	
7	863,400	
8	863,500	
9	863,600	
10	863,700	X
11	863,800	
12	864,000	
13	864,100	X
14	864,200	
15	864,300	
16	864,400	

ENGLISH

DEUTSCH

FRANCAIS

ESPAÑOL

POLSKI

ITALIANO

DECLARATIONS DECLARATIONS :

GARANTIE FABRICANT LIMITÉE

Cette garantie concerne tous les produits de marque Adam Hall, LD Systems, Defender, Palmer et Cameo.

Elle s'applique également à tous les produits distribués par Adam Hall.

Elle ne concerne pas les droits statutaires relatifs à la garantie envers le vendeur. En fait, elle justifie des requêtes en garantie supplémentaires, indépendantes, envers Adam Hall.

Adam Hall garantit, pendant une période s'étendant selon le cas de deux à cinq ans (à vérifier selon le produit) à compter de la date d'achat, que le produit Adam Hall que vous avez acheté directement auprès d'Adam Hall ou chez un revendeur autorisé est dépourvu de défaut, au niveau des composants ou de la fabrication, dans le cadre d'une utilisation normale.

La période pendant laquelle cette garantie limitée est applicable commence à partir de la date d'achat. Cette date se justifie d'après une facture ou un bon de livraison daté. Dans le cas où des produits des marques citées ci avant nécessiteraient une réparation pendant la période de garantie limitée, vous avez droit à des réparations sous garantie, conformément aux termes et conditions exposés dans ce document.

Pendant toute la période de garantie limitée, Adam Hall réparera ou procédera au remplacement de tous les composants défectueux, ou le produit lui-même. En cas de réparation ou d'échange pendant la période de garantie, les pièces originales remplacées ou le produit échangé deviennent la propriété de la société Adam Hall.

Dans le cas improbable où votre produit Adam Hall serait sujet à des défaillances répétées, Adam Hall, à sa discrétion, peut choisir de mettre à votre disposition un appareil de remplacement de son choix, au moins équivalent à votre produit de marque Adam Hall en termes de performances matérielles et techniques.

Adam Hall ne garantit pas que l'utilisation de ce produit ne sera sujette à aucune interruption ni défaillance. Adam Hall n'est pas responsable des dommages occasionnés par le non-respect des instructions contenues dans le manuel d'utilisation livré avec le produit de marque Adam Hall. La garantie fabricant ne s'applique pas - aux pièces d'usure (accumulateurs par exemple) - aux produits dont le numéro de série a été effacé, ou qui ont été endommagés ou rendus inutilisables à la suite d'un accident - aux dommages provoqués une utilisation peu précautionneuse, à une erreur de manipulation ou tout autre motif externe.

- en cas de dommages subis par des appareils suite à une utilisation hors des valeurs d'usage des paramètres (telles que mentionnées dans le manuel utilisateur livré avec le produit)

- en cas de dommages consécutifs à l'utilisation de pièces de rechange non fabriquées ou non vendues par Adam Hall

- en cas de dommages consécutifs à des modifications ou réparations non assurées par Adam Hall

Ces termes et conditions constituent l'accord de garantie complet et exclusif entre vous et Adam Hall, relativement au produit de marque Adam Hall que vous avez acheté.

DECLARATIONS DECLARATIONS :

ENGLISH

DEUTSCH

FRANCAIS

ESPAÑOL

POLSKI

ITALIANO

RESPONSABILITÉ LIMITÉE

Si votre appareil de marque Adam Hall présente, pendant la période de garantie, des défaillances au niveau des composants ou de la fabrication, couvertes par les conditions ci avant, le seul recours, exclusif, est sa réparation ou son remplacement au titre de cette garantie. Dans le cadre de cette garantie limitée, la responsabilité financière maximale d'Adam Hall est expressément limitée à la plus faible des deux sommes suivantes : prix d'achat payé pour le produit ou coût de réparation ou de remplacement de tout composant matériel ne fonctionnant pas correctement dans des conditions normales d'utilisation.

Adam Hall ne peut être tenu pour financièrement responsable de tout dommage causé par le produit ou sa défaillance – y compris toute perte de recettes ou de bénéfices, ni de tout dommage spécifique, incidentel ou consécutif. De plus, Adam Hall n'est pas responsable financièrement en cas de requête émanant d'une tierce partie ou de votre part pour le compte d'une tierce partie.

Cette limitation de responsabilité financière s'applique en cas de demande de dommages et intérêts ou de poursuites, dans le cadre de cette garantie limitée ou en cas de procédure (négligence et stricte responsabilité produit), de non-respect du contrat, ou de toute autre procédure. Cette limitation de responsabilité financière ne peut être annulée ou amendée par quiconque. Cette limitation de responsabilité financière s'applique même si vous avez prévenu Adam Hall ou tout représentant autorisé de Adam Hall de la possibilité de tels dommages. Toutefois, cette limitation de responsabilité financière ne s'applique pas en cas de blessures aux personnes.

Cette garantie fabricant limitée vous donne des droits légaux spécifiques. Vous pouvez également avoir d'autres droits, variables d'un état ou d'un pays à l'autre. Nous vous conseillons de vous reporter aux lois applicables dans votre état ou votre pays afin de déterminer l'étendue exacte de vos droits.

DEMANDE DE RÉPARATIONS SOUS GARANTIE

Pour demander des réparations sous garantie pour votre produit, veuillez contacter Adam Hall ou le revendeur agréé Adam Hall auprès de qui vous l'avez acheté.

DÉCLARATION DE CONFORMITÉ CE

Les appareils commercialisés par Adam Hall répondent (à la date actuelle) aux exigences et spécifications applicables des Directives 1999/5/EC (R&TTE), 2004/108/EC (EMC) et 2006/95/EC (LVD). Pour plus d'informations, référez-vous au site www.adamhall.com.

DECLARATIONS DECLARATIONS :

MISE AU REBUT DE CE PRODUIT

(Applicable dans l'Union Européenne et les autres pays européens dotés de systèmes de collecte sélective)



La présence de ce logo sur le produit ou son manuel d'utilisation indique qu'en fin de vie, il ne doit pas être jeté avec les autres déchets domestiques. Afin d'éviter toute atteinte à l'environnement ou à la santé humaine pouvant résulter d'une gestion incontrôlée des déchets, veuillez assurer son recyclage de manière responsable. Séparez-le des autres types de déchets et recyclez-le, afin de promouvoir la réutilisation durable des ressources naturelles.



Nous conseillons aux utilisateurs non professionnels de contacter le revendeur chez qui ils ont acheté le produit, ou un représentant gouvernemental local, pour plus de détails sur le lieu de collecte et la façon de recycler cet appareil dans le meilleur respect de l'environnement possible..

Nous invitons les utilisateurs professionnels à contacter leur fournisseur et à vérifier les termes et conditions de leur contrat d'achat. Ce produit ne doit pas être mélangé à d'autres déchets commerciaux lors de la collecte.

PROTECTION DE L'ENVIRONNEMENT ET ÉCONOMIES D'ÉNERGIE

Économiser l'énergie constitue une contribution active efficace à la protection de l'environnement. Pensez à éteindre tout appareil électrique dès que vous ne vous en servez plus. Pour éviter que les appareils placés en mode de veille (Standby) ne continuent à consommer de l'électricité, débranchez-les de leur prise secteur.

Adam Hall GmbH, tous droits réservés. Les caractéristiques techniques et les fonctions disponibles sur le produit sont sujettes à modifications. La photocopie, la traduction et toute forme de copie, partielle ou intégrale, de ce manuel utilisateur sont interdites.

ENGLISH

DEUTSCH

FRANCAIS

ESPAÑOL

POLSKI

ITALIANO



ENGLISH

DEUTSCH

FRANÇAIS

ESPAÑOL

POLSKI

ITALIANO

¡Gracias por elegir LD-Systems!

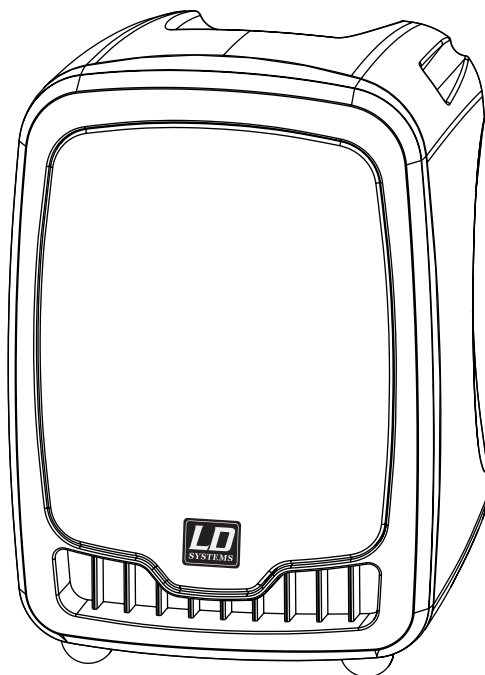
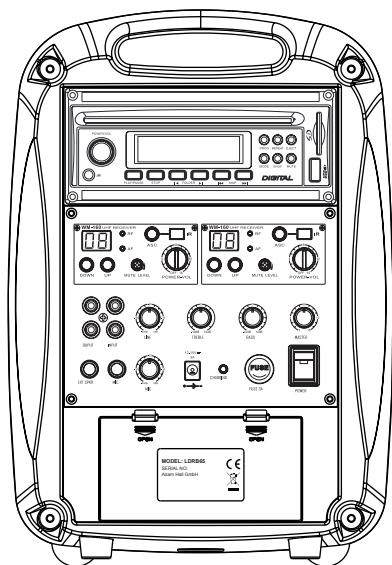
Este equipo está diseñado y fabricado con los estándares de calidad más exigentes, para garantizar un correcto funcionamiento durante muchos años. Los productos de LD-Systems se caracterizan por su gran calidad, avalada por el prestigio de la marca y una dilatada experiencia como fabricante.

Lea atentamente este manual de usuario para poder aprovechar rápidamente toda la funcionalidad de su nuevo producto de LD Systems.

Si desea obtener información sobre LD-SYSTEMS, visite nuestro sitio web WWW.LD-SYSTEMS.COM

LD ROADBOY 6.5

SISTEMA DE SONIDO PORTÁTIL 100 W



ENGLISH

DEUTSCH

FRANCAIS

ESPAÑOL

POLSKI

ITALIANO

MEDIDAS DE SEGURIDAD:

1. Lea atentamente las instrucciones de este manual.
2. Guarde toda la información en un lugar seguro para futuras consultas.
3. Siga las instrucciones indicadas.
4. Siga todas las advertencias. No quite las instrucciones de seguridad ni cualquier otra información indicada en el equipo.
5. Utilice el equipo únicamente según la finalidad prevista.
6. Utilice solo soportes y fijaciones que sean robustos y adecuados cuando instale el equipo en instalaciones fijas. Asegúrese de que los soportes de pared están correctamente instalados y firmemente fijados. Asegúrese de que el equipo está sólidamente instalado y no se puede caer.
7. Al instalar el equipo, respete las normas de seguridad aplicables en su país.
8. Evite instalar el equipo cerca de radiadores, acumuladores de calor, estufas o cualquier otra fuente de calor. Asegúrese de que el equipo esté instalado en un lugar con ventilación suficiente para evitar cualquier sobrecalentamiento.
9. No coloque sobre el equipo fuentes de llamas sin protección, por ejemplo, velas encendidas.
10. Evite bloquear las rejillas de ventilación.
11. No utilice este equipo cerca del agua (excepto los equipos específicamente diseñados para uso en exterior, en cuyo caso tenga en cuenta las indicaciones mencionadas a continuación). No exponga este equipo a materiales, líquidos o gases inflamables.
12. Evite exponer el equipo a gotas o salpicaduras que puedan caer dentro del mismo. No coloque recipientes llenos de líquido, como floreros o vasos, sobre el equipo.
13. Asegúrese de no dejar caer ningún objeto dentro del equipo.
14. Emplee el equipo únicamente con los accesorios recomendados por el fabricante.
15. No abra el equipo ni intente modificarlo.
16. Una vez conectado el equipo, compruebe que en toda la longitud del cableado no hay peligro de que provoque una caída, por ejemplo.
17. Durante el transporte, asegúrese de que el equipo no se caiga y pueda causar daños personales o materiales.
18. Si el equipo no funciona correctamente, o si se ha vertido líquido sobre él, o si un objeto ha caído en su interior o si ha sufrido algún desperfecto, apague inmediatamente el equipo y desenchufe el cable eléctrico (si se trata de un equipo activo). Únicamente un técnico especialista debe reparar el equipo.
19. Para limpiar el equipo utilice un paño seco.
20. Procure seguir las normas vigentes en su país sobre reciclaje de desechos. Separe los componentes de plástico, papel y cartón del paquete para reciclarlos en sus contenedores respectivos.
21. No deje las bolsas de plástico al alcance de los niños.

PARA LOS EQUIPOS CON TOMA ELÉCTRICA:

22. **ADVERTENCIA:** Si el cable eléctrico está provisto de un contacto de protección, debe conectarse a una toma eléctrica con conexión a tierra. No desactivar nunca esta conexión de protección a tierra del cable eléctrico.
23. Si el equipo ha estado expuesto a un cambio brusco de temperatura (por ejemplo, después del transporte), no lo encienda inmediatamente. La condensación o la humedad podrían dañar el equipo. Deje que el equipo alcance la temperatura ambiente antes de encenderlo.
24. Antes de conectar el cable eléctrico a la toma de corriente, compruebe si la tensión y la frecuencia del suministro eléctrico coinciden con las especificaciones de este equipo. Si el equipo dispone de un selector de tensión, antes de enchufarlo a la red eléctrica, asegúrese de que el valor seleccionado coincide con la tensión de suministro. Si el enchufe o el adaptador de corriente no encajan en la toma eléctrica, consulte a un electricista.
25. Asegúrese de que el cable eléctrico no está pinzado. Evite que el cable resulte pellizcado, sobre todo en los extremos de conexión al equipo y en la toma eléctrica.
26. Al conectar el equipo, asegúrese de que el cable eléctrico o el adaptador de corriente estén siempre accesibles. Desconecte el equipo de la toma de corriente cuando no esté en uso o antes de limpiarlo. Para ello,

SEGURIDAD:

desconecte el cable eléctrico y el adaptador de corriente del conector del equipo en vez de desenchufar el cable de la toma eléctrica. No tocar el cable eléctrico ni el adaptador de corriente con las manos húmedas.

27. No encienda y apague el equipo en cortos intervalos de tiempo, ya que se reduce así la vida útil del sistema.

28. **NOTA IMPORTANTE:** Sustituya los fusibles únicamente por otros del mismo tipo y de las mismas características. Si el fusible se funde continuamente, póngase en contacto con un servicio técnico autorizado.

29. Para desconectar completamente el equipo de la tensión eléctrica, desenchufe el cable eléctrico o el adaptador de corriente de la toma eléctrica.

30. Si el equipo dispone de un enchufe eléctrico Volex, deberá desbloquearse el Volex del equipo para desenchufarlo. Esto implica que un tirón en el cable eléctrico puede desplazar el equipo y provocar daños personales o materiales. Por tanto, asegúrese de instalar los cables con sumo cuidado.

31. Si es probable que caiga un rayo por una tormenta eléctrica o si no va a emplear el equipo durante mucho tiempo, desenchufe el cable eléctrico y el adaptador de corriente.



ADVERTENCIA:

Para evitar el riesgo de descarga eléctrica, no retire la tapa. El equipo no contiene piezas que el usuario pueda reparar o sustituir. Para cualquier tarea de mantenimiento o reparación, acuda a un técnico cualificado.



El símbolo de rayo dentro de un triángulo equilátero advierte al usuario de la presencia de tensiones peligrosas sin aislamiento dentro del equipo que pueden causar una descarga eléctrica y suponer un riesgo para la salud.



El símbolo de exclamación dentro de un triángulo equilátero advierte al usuario de la existencia de importantes instrucciones de uso y mantenimiento.

ADVERTENCIA: ¡ALTO VOLUMEN!

Este equipo se destina a un uso profesional. Por consiguiente, si se aplica a un uso comercial, estará sujeto a las normas y reglamentos de la Asociación para la prevención de accidentes de su sector profesional. Como fabricante, Adam Hall tiene la obligación de informar formalmente a los usuarios de la existencia de posibles riesgos para la salud.

Daños auditivos por exposición prolongada a un nivel SPL alto: este equipo puede generar fácilmente un nivel de presión sonora (SPL) lo suficientemente elevado como para causar daños auditivos permanentes a los artistas, el personal de producción y el público. Deben tomarse precauciones para evitar la exposición prolongada a un SPL de más de 90 dB.

¡ATENCIÓN! INFORMACIÓN IMPORTANTE SOBRE LOS PRODUCTOS DE ILUMINACIÓN

1. No mire el haz de luz desde una distancia inferior a 40 cm.
2. No mire el haz de luz de cerca durante periodos prolongados.
3. No mire directamente el haz de luz con instrumentos ópticos, como lentes de aumento.
4. ¡Los efectos estroboscópicos pueden a veces causar convulsiones en personas fotosensibles! Las personas con epilepsia deben evitar los lugares en los que se usan luces estroboscópicas.

ENGLISH

DEUTSCH

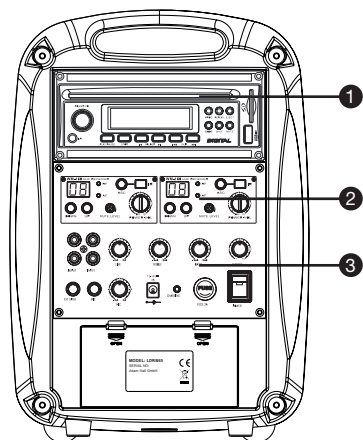
FRANCAIS

ESPAÑOL

POLSKI

ITALIANO

PANEL POSTERIOR:



1 REPRODUCTOR DE CD

Reproductor de CD con ranura de carga y entradas para memoria USB y tarjetas SD. Reproductor de CD con función antisalto. Archivos compatibles (reproductor de CD, USB y tarjetas SD): CD de audio, MP3, WMA. (¡Compatibilidad sujeta a cambios!)

2 MÓDULO RECEPTOR INALÁMBRICO

El Roadboy 6.5 está equipado con un receptor inalámbrico. Puede instalar un segundo módulo receptor si desea utilizar simultáneamente un segundo micrófono inalámbrico.

3 PANEL DE CONTROL

Control de volumen: Master, micrófono (conectado por cable), entrada de línea
 Ecualizador: graves (BASS) y agudos (TREBLE)
 Entrada y salida por RCA
 Salida de potencia para altavoz externo
 Indicador LED: nivel bajo de batería (rojo), batería en carga (verde intermitente), batería 100% cargada (verde)

COMPONENTES DEL SISTEMA:

Roadboy



Micrófono de mano



Adaptador de corriente



Mando a distancia



Imagen aproximada

ENGLISH

DEUTSCH

FRANCAIS

ESPAÑOL

POLSKI

ITALIANO

ACCESORIOS OPCIONALES:

Auriculares para aerobic resistentes al agua (LDHSAE1)



Auriculares resistentes al agua (LDHSM1)



Funda de transporte (LDSB21)



Auriculares con micro, color negro (LDWS100MH1)



Petaca transmisora (LDWS1616BP)



Auriculares con micro. color carne (LDWS100MH3)



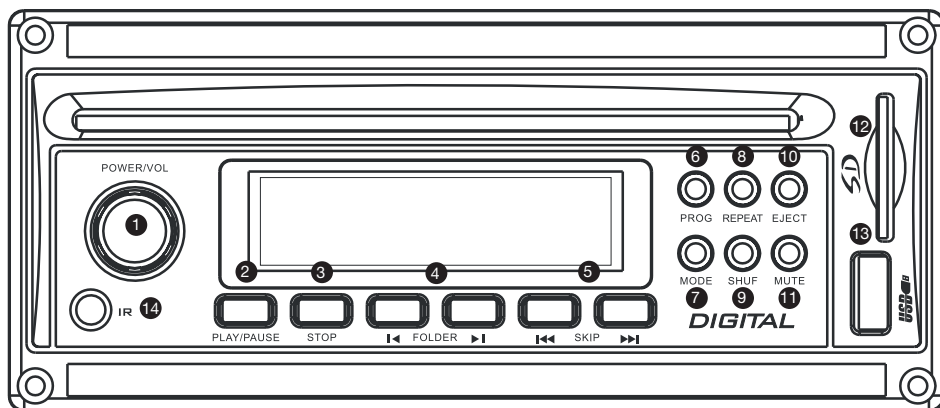
Receptor adicional (LDRM102R)



Soporte para (LDST40)



REPRODUCTOR DE CD:



1 POWER/VOL

Botón de encendido/apagado, control de volumen
Pulse este botón para encender o apagar el equipo.

2 PLAY / PAUSE

3 STOP

4 FOLDER

En el modo PLAY, utilice los botones FOLDER (izquierda o derecha) para ir a la primera pista de la carpeta anterior o siguiente.

5 SKIP (IZQUIERDA/DERECHA)

En el modo PLAY, pulse SKIP (izquierda o derecha) para ir a la pista anterior o siguiente.

En el modo PLAY, mantenga pulsado el botón SKIP para avanzar rápidamente (SKIP derecha) o retroceder rápidamente (SKIP izquierda) dentro de una pista.

6 PROG (PROGRAMAR)

Permite programar el orden de reproducción de las pistas de un CD, pendrive o tarjeta SD.

Al pulsar el botón PROG, en la pantalla aparece "PROG" encima del tiempo de reproducción y el número de pista parpadea. Seleccione con el control VOLUME el número de pista que asignará a la primera posición del programa, y confirme con

SHUF. Repita este proceso hasta completar el programa. El programa se iniciará automáticamente.

7 MODE

Pulse este botón para cambiar entre las fuentes de señal SD, USB y CD.

8 REPEAT

Pulse este botón una vez para repetir la pista actual. Pulse este botón dos veces para repetir todas las pistas.

9 SHUF

Reproducción aleatoria de pistas.

10 EJECT

Permite expulsar el CD.

11 MUTE

Permite silenciar el reproductor.

12 RANURA PARA TARJETA SD

13 USB 2.0

Entrada para un pendrive.

14 IR

Receptor de infrarrojos para el mando a distancia.

ENGLISH

DEUTSCH

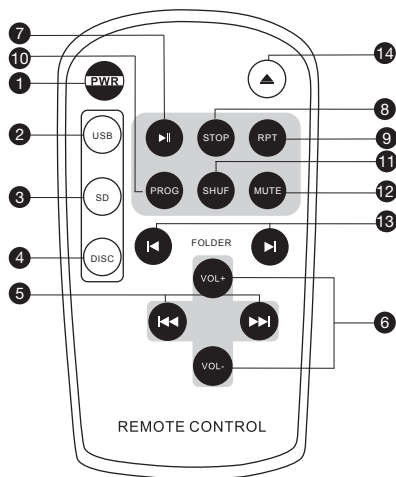
FRANCAIS

ESPAÑOL

POLSKI

ITALIANO

MANDO A DISTANCIA:



El Roadboy 6.5 está equipado con dos receptores de infrarrojos de control remoto, uno en el frontal y el otro en el panel posterior del equipo. De esta manera, podrá utilizar el mando a distancia delante o detrás del altavoz.

1 PWR (POWER): Botón de encendido/apagado.

2 USB: Selección del modo USB.

3 SD: Selección del modo SD.

4 DISC: Selección del modo CD.

5 SKIP (IZQUIERDA/DERECHA): En el modo PLAY, pulse SKIP (izquierda o derecha) para ir a la pista anterior o siguiente. En el modo PLAY, mantenga pulsado el botón SKIP para avanzar rápidamente (SKIP derecha) o retroceder rápidamente (SKIP izquierda) dentro de una pista.

6 VOL +/-: Volumen. Pulse el botón más (+) para aumentar el volumen o el botón menos (-) para disminuirlo.

7 REPRODUCIR/PAUSA

8 STOP

9 RPT (REPETIR): Pulse este botón una vez para

repetir la pista actual. Pulse este botón dos veces para repetir todas las pistas.

10 PROG (PROGRAMAR): Permite programar el orden de reproducción de las pistas de un CD, pendrive o tarjeta SD. Al pulsar el botón PROG, en la pantalla aparece "PROG" encima del tiempo de reproducción y el número de pista parpadea. Seleccione con los botones VOL (+/-) el número de pista que asignará a la primera posición del programa, y confirme con SHUF. Repita este proceso hasta completar el programa. El programa se iniciará automáticamente.

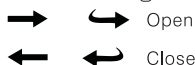
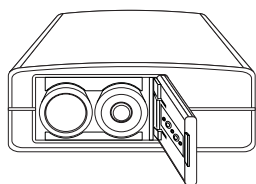
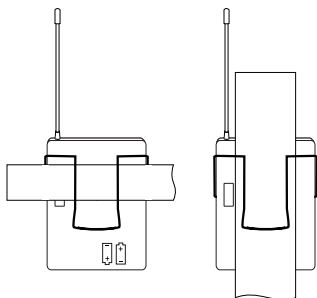
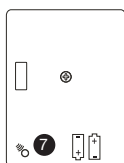
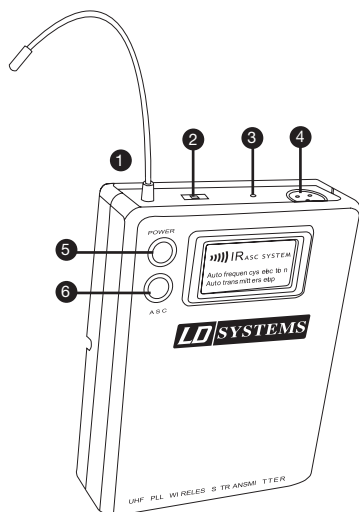
11 SHUF (SHUFFLE): Reproducción aleatoria de pistas.

12 MUTE: Permite silenciar el reproductor.

13 FOLDER: En el modo PLAY, utilice los botones FOLDER (izquierda o derecha) para ir a la primera pista de la carpeta anterior o siguiente.

14 EXPULSAR: Permite expulsar el CD.

PETACA TRANSMISORA:



1 ANTENA

2 AJUSTE DE GANANCIA

Mic: micrófono

0: guitarra con pastillas pasivas

-10 dB: guitarra con pastillas activas

3 LED DE ENCENDIDO:

Verde: en funcionamiento

Rojo: batería baja

Rojo intermitente: transmitiendo por infrarrojos

4 ENTRADA DE MICRÓFONO (MINI XLR)

5 BOTÓN POWER (ENCENDIDO/APAGADO)

6 BOTÓN ASC (ACTIVAR SINCRONIZACIÓN)

Permite realizar la sincronización de frecuencias a través de infrarrojos.

7 SENSOR DE INFRARROJOS

USO DE LA PETACA

La petaca se cuelga del cinturón o de la cinta de la guitarra. Para garantizar un agarre seguro, deslice el clip de la petaca transmisora hasta el fondo.

El guitarrista puede pasar la cinta de guitarra directamente a través del clip.

SUSTITUCIÓN DE LAS BATERÍAS

Cuando el indicador de estado de la batería parpadee en color rojo, deberá sustituir las baterías inmediatamente, como se muestra en la figura izquierda. Inserte 2 pilas alcalinas tipo AA (LR6 1,5 V).

ENGLISH

DEUTSCH

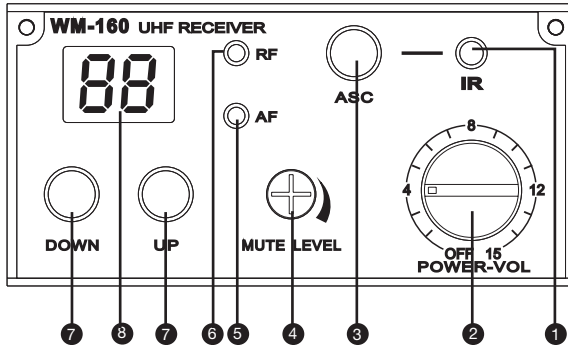
FRANCAIS

ESPAÑOL

POLSKI

ITALIANO

MÓDULO RECEPTOR INALÁMBRICO:



1 SENSOR DE INFRARROJOS (IR)

Envía la señal de infrarrojos al transmisor para la sincronización de frecuencia.

2 POWER-VOL

Botón de encendido/apagado y control de volumen.

3 ASC

Después de seleccionar una frecuencia de transmisión en el receptor, pulse ASC para sincronizar el transmisor y el receptor. Sostenga el micrófono con el sensor de infrarrojos frente al sensor de infrarrojos del receptor. (Sincronización de la petaca: pulse ASC en la petaca y en el receptor para activar la sincronización).

4 MUTE LEVEL

Ajuste del silenciador del receptor:
Esta función se utiliza para eliminar el ruido cuando el transmisor está apagado o cuando el receptor no recibe una señal lo suficientemente fuerte desde el transmisor.
El silenciador del receptor viene configurado de fábrica para que el sistema funcione de manera óptima. En general, no será necesario cambiar este ajuste. Si es necesario cambiarlo, ajuste el nivel del silenciador de forma que el receptor no detecte ningún ruido cuando el transmisor esté apagado.

5 LED AF

Indica si el módulo está recibiendo señal de audio.

6 LED RF

Indica si el módulo está recibiendo señal de radiofrecuencia.

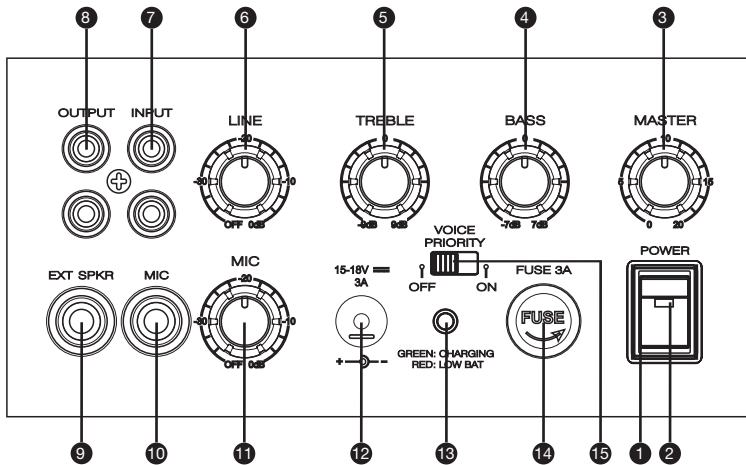
7 UP / DOWN

Permite seleccionar entre los canales 1 a 16.

8 PANTALLA LED

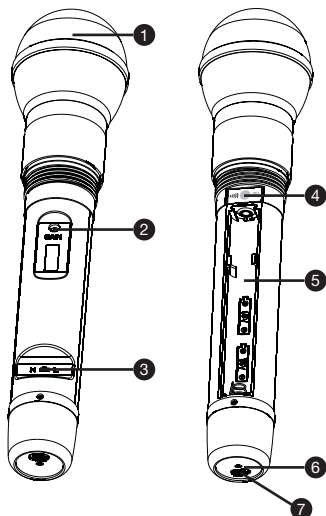
Muestra el número de canal.

PANEL DE CONTROL:



- 1 INTERRUPTOR POWER** Interruptor general de encendido/apagado del sistema.
- 2 INDICADOR LED** Si está iluminado en color rojo, indica que el sistema está operativo y encendido.
- 3 MASTER**
Control general de volumen del sistema.
- 4 BASS**
Ecuualizador de graves.
- 5 TREBLE**
Ecuualizador de agudos.
- 6 LINE**
Control de volumen de la entrada de línea (RCA).
- 7 ENTRADA DE LINEA (RCA)**
- 8 SALIDA DE LINEA (RCA)**
- 9 JACK DE 6,3 MM PARA ALTAVOZ EXTERNO**
En esta salida se puede conectar otro altavoz pasivo. Si se emplea esta salida, el sonido provendrá del Roadboy y del altavoz pasivo (impedancia mín. 4 Ω).
- 10 ENTRADA DE MICRÓFONO**
- 11 CONTROL DE VOLUMEN DE MICRÓFONO**
- 12 TOMA PARA EL ADAPTADOR DE CORRIENTE**
- 13 INDICADOR DE ESTADO DE LA BATERÍA**
Indicador LED: nivel bajo de batería (rojo), batería en carga (verde intermitente), batería 100% cargada (verde)
- 14 FUSIBLE DE 3 A**
- 15 INTERRUPTOR "VOICE PRIORITY"**
Mientras se está reproduciendo música, si se activa la función "Voice Priority" de prioridad de voz, reduce automáticamente el volumen de la música al hablar por el micrófono. Cuando deje de hablar, el volumen de la música volverá a su nivel anterior. Esta función se conoce también como "Talk Over".

MICRO DE MANO:



1 REJILLA DEL MICRÓFONO

2 GAIN

Utilice este control para ajustar la sensibilidad del micrófono: gire a la izquierda para disminuirla y a la derecha para aumentarla.

En general, el ajuste de fábrica le dará buenos resultados.

3 CONMUTADOR DE POTENCIA DE TRANSMISIÓN

"H" indica una potencia alta de transmisión; "L" indica una potencia baja de transmisión.

4 SENSOR DE INFRARROJOS

5 COMPARTIMENTO DE PILAS

Inserte 2 pilas alcalinas tipo AA (LR6 1,5 V).

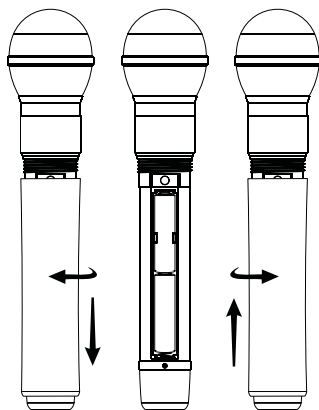
6 ENCENDIDO/ASC

LED verde: micrófono encendido

LED verde intermitente: transmitiendo por infrarrojos

LED rojo intermitente: batería baja

7 INTERRUPTOR DE ENCENDIDO



SUSTITUCIÓN DE LAS PILAS

Si se enciende el indicador de batería baja deberá sustituir las pilas inmediatamente.

CONFIGURACIÓN Y USO DEL SISTEMA:

USO DE LA ENTRADA DE MICRÓFONO CONECTADO POR CABLE

Conecte el jack de 6,3 mm del cable de micrófono a la entrada MIC. Esta entrada se encuentra en el panel posterior del Roadboy. Asegúrese de que el otro extremo del cable está correctamente conectado al micrófono. Si el micrófono tiene un interruptor de encendido/apagado, sitúelo en la posición de encendido. A continuación, use el control de ganancia del micrófono para equilibrar el nivel entre las entradas de línea y micro. Si el nivel de micro es demasiado alto, puede producirse distorsión.

USO DEL MÓDULO INALÁMBRICO

Primero, ajuste el control de nivel MASTER del Roadboy en la posición "0". A continuación, gire el control POWER-VOL del módulo inalámbrico hasta la posición de las doce en punto. Ahora, sincronice el transmisor (micrófono de mano o petaca) con el receptor integrado, mediante la función ASC. Pulse el botón ASC del módulo inalámbrico; el LED ASC parpadeará en color rojo.

Si está usando un micrófono de mano: El sensor de infrarrojos (IR) está situado en el compartimiento de baterías, justo debajo de la cápsula. Mantenga el micro cerca del sensor de infrarrojos del módulo receptor inalámbrico.

Si está usando una petaca: Deberá activar también la función de ASC en la petaca. A continuación, mantenga el sensor de infrarrojos (IR), situado en la parte posterior de la petaca, cerca del sensor de infrarrojos del módulo receptor inalámbrico. La sincronización dura unos segundos. Si ha instalado un segundo módulo inalámbrico (opcional), asegúrese de que los dos módulos no operan a la misma frecuencia (consulte la lista de frecuencias). De este modo, evitará las interferencias. Si el LED RF parpadea, indica que el sistema está funcionando y que la sincronización se ha realizado correctamente. Ahora podrá aumentar el volumen MASTER del Roadboy hasta el nivel deseado.

La distancia máxima entre el micrófono inalámbrico (o petaca) y el módulo receptor es de unos 60 m en espacio libre de obstáculos.

USO DE LA SALIDA DE ALTAVOZ EXTERNO "EXT. SPKR"

Utilice un cable de altavoz con jack de 6,3 mm para conectar el altavoz externo. El altavoz debe tener una impedancia comprendida entre 4 y 8 ohmios y una potencia mínima de 25 W.

CARGA DE LA BATERÍA DEL ROADBOY

Conecte el adaptador de corriente (16 V, 3 A) suministrado con el Roadboy para utilizar el sistema sin batería o para cargar la batería. El tiempo de carga es de 8 horas. La carga se detiene automáticamente cuando la batería está completamente cargada. También puede utilizar el Roadboy conectado a una toma de corriente.

¡NOTA IMPORTANTE!

Cuando conecte una batería por primera vez o cuando sustituya la batería ¡TENGA EN CUENTA la polaridad! Rojo = + (positivo). Negro = - (negativo).

Cargue al 100% las baterías siempre que sea posible. No almacene las baterías de plomo completamente descargadas ni medio descargadas. Si va a almacenar baterías durante un largo período de tiempo, cárguelas periódicamente al 100%.



CARACTERÍSTICAS TÉCNICAS:

ESPECIFICACIONES BÁSICAS

Potencia de salida: 100 W RMS máx. a 4 Ω
Respuesta en frecuencia: 80 Hz a 15 kHz
SPL máximo: 110 dB
Altavoz: 6,5" full range
Alimentación eléctrica: 200 - 250 V. Fuente de alimentación conmutada
16 VDC, 3 A
Baterías: 12 V; 2,6 Ah
THD: <0,5%
Dimensiones (An x Al x F): 300 x 200 x 230 mm
Peso: 5 kg
Módulo receptor: 863 - 865 MHz

REPRODUCTOR DE CD

Tipo de producto:
Sistema CD de audio digital, con antisalto mecánico y electrónico, que reproduce CD, CD-R, MP3, WMA, USB, SD y WMA.
Carga del disco: con ranura de carga
Tensión de alimentación: 12 VDC (10 a 16 V)
Consumo eléctrico: 5 W, aprox.
Dimensiones (An x Al x F): 160 x 147,4 x 68,5 mm
Peso: 1,2 kg

RECEPTOR

Canales: 16
Frecuencia portadora: 863 - 865 MHz
Ancho de banda de audio: 60 Hz a 16 kHz
THD: <1%
Relación señal/ruido: >100 dB
Modulación: FM
Dimensiones: 73 x 36 x 120 mm
Peso neto: 100 g
Alimentación eléctrica: 12 VDC

MICRÓFONO DE MANO

Canales: 16
Frecuencia portadora: 863 - 865 MHz
Tipo de cápsula: dinámica
Patrón polar: cardioide
Potencia de transmisión: 10 mW
Ancho de banda de audio: 60 Hz a 16 kHz
Relación señal/ruido: >102 dB
Modulación: FM
Dimensiones: 235 x 54 mm
Peso neto: 280 g
Alimentación eléctrica: 2 pilas de tipo AA
Autonomía: >10 horas

PETACA TRANSMISORA

Canales: 16
Frecuencia portadora: 863 - 865 MHz
Potencia de transmisión: 10 mW
Nivel de entrada máx.: 6 mV
Ancho de banda de audio: 60 Hz a 16 kHz
Relación señal/ruido: >102 dB
Modulación: FM
Dimensiones: 85 x 65 x 24 mm
Peso neto: 80 g
Alimentación eléctrica: 2 pilas de tipo AA
Autonomía: >10 horas, en función de las pilas

Dado que trabajamos constantemente en mejorar nuestros productos, las especificaciones técnicas pueden variar sin previo aviso.

ENGLISH

DEUTSCH

FRANÇAIS

ESPAÑOL

POLSKI

ITALIANO

CARACTERÍSTICAS TÉCNICAS:

LDWS1616 / Roadman / Roadboy

Lista de frecuencias sin intermodulación para usar simultáneamente hasta tres micrófonos inalámbricos.

Nr.	Frequenz (MHz)	Gleichzeitig
1	863,100	X
2	863,900	
3	864,500	
4	864,900	
5	863,200	
6	863,300	
7	863,400	
8	863,500	
9	863,600	
10	863,700	X
11	863,800	
12	864,000	
13	864,100	X
14	864,200	
15	864,300	
16	864,400	

ENGLISH

DEUTSCH

FRANCAIS

ESPAÑOL

POLSKI

ITALIANO



DECLARACIÓN DEL FABRICANTE:

GARANTÍA DEL FABRICANTE

La presente garantía cubre las marcas Adam Hall, LD Systems, Defender, Palmer y Cameo.

Se aplica a todos los productos distribuidos por Adam Hall.

No afecta a los derechos de garantía legal que asume el fabricante. De hecho, le concede al usuario derechos adicionales ante Adam Hall, independientes de la garantía legal.

Adam Hall garantiza que el producto que ha adquirido de Adam Hall o de un distribuidor autorizado de Adam Hall estará exento de defectos de material y fabricación, en condiciones normales de uso, durante un período de 2 o 5 años (consúltese el producto concreto) a partir de la fecha de compra.

La garantía limitada entra en vigor el día de la fecha de compra. Para tener derecho a esta garantía será necesario presentar un justificante de compra válido en el que figure la fecha de compra del producto, por ejemplo, la factura o el albarán de entrega. Si el producto que ha adquirido necesitara una reparación durante la vigencia de la garantía limitada, tendrá derecho a obtener los servicios de garantía conforme a los términos y condiciones establecidos en este documento.

Durante el periodo de garantía limitada, Adam Hall se compromete a reparar o sustituir las piezas defectuosas del producto. En caso de reparación o sustitución dentro del período de garantía, las piezas originales y productos retirados pasarán a ser propiedad de Adam Hall.

En el caso poco probable de que se produzca un fallo recurrente en el producto adquirido, Adam Hall, a su entera discreción, podrá optar por sustituir dicho producto defectuoso por otro de similares características.

Adam Hall no garantiza el funcionamiento ininterrumpido y sin fallos de este producto. Además, Adam Hall no se hace responsable de los posibles daños ocasionados por no seguir las instrucciones de uso suministradas con el producto Adam Hall. Esta garantía no se aplica - a los consumibles (baterías, etc.) - a los productos cuyo número de serie ha sido borrado, o que han quedado dañados y defectuosos debido a un accidente - en caso de defectos ocasionados por una incorrecta utilización o manipulación, o cualquier otra causa ajena

- en caso de utilización del producto no conforme con los parámetros establecidos en la documentación facilitada con el producto

- en caso de utilización de piezas de repuesto no fabricadas, no recomendadas ni vendidas por Adam Hall

- si el producto ha sido modificado o reparado por personal no autorizado por Adam Hall.

Estos términos y condiciones constituyen el acuerdo de garantía íntegro y exclusivo entre usted y Adam Hall en relación con el producto Adam Hall que acaba de adquirir.

ENGLISH

DEUTSCH

FRANÇAIS

ESPAÑOL

POLSKI

ITALIANO

DECLARACIÓN DEL FABRICANTE:

ENGLISH

DEUTSCH

FRANCAIS

ESPAÑOL

POLSKI

ITALIANO

LIMITACIÓN DE RESPONSABILIDAD

Si durante el período de garantía aparecen defectos de material o de fabricación en su producto Adam Hall (de acuerdo con las garantías mencionadas en este documento), tendrá derecho exclusivamente a la reparación o sustitución del mismo. La responsabilidad máxima de Adam Hall en virtud de los términos de esta garantía está limitada al menor importe que resulte del precio de compra del producto, del coste de la reparación o la sustitución de las piezas que han dejado de funcionar en condiciones normales de uso.

Adam Hall no será responsable de ningún daño causado por el producto o por el mal funcionamiento del producto, incluidas la pérdida de beneficios, la pérdida de ahorros o cualquier consecuencia derivada de dichas pérdidas. Además, Adam Hall no se hará responsable de ninguna reclamación presentada por un tercero o por el comprador original en nombre de un tercero.

Esta limitación de responsabilidad se aplicará con independencia de que se solicite una indemnización por daños y perjuicios, o se presenten reclamaciones por negligencia, contractuales o de cualquier otra índole, y no podrá ser derogada o modificada. Esta limitación de responsabilidad será efectiva incluso en el caso de que el comprador hubiese avisado previamente a Adam Hall o a alguno de sus representantes de la posibilidad de reclamar daños y perjuicios. No obstante, esta limitación de responsabilidad no tendrá efecto en caso de reclamación por daños personales.

Esta garantía limitada le otorga derechos legales específicos. Puede que posea derechos adicionales conforme a la legislación del país o Estado en el que se encuentre. Le recomendamos que consulte la legislación vigente en su país o Estado para conocer el alcance de sus derechos.

APLICACIÓN DE LA GARANTÍA

Para solicitar asistencia técnica en relación con el producto en garantía, póngase en contacto con Adam Hall o con el distribuidor autorizado donde adquirió el producto.

DECLARACIÓN CE DE CONFORMIDAD

Los productos distribuidos por Adam Hall cumplen (según proceda) los requisitos esenciales de las Directivas europeas 1999/5/CE (Equipos radioeléctricos y equipos terminales de telecomunicación, R&TTE), 2004/108/CE (Compatibilidad Electromagnética) y 2006/95/CE (Baja Tensión), así como las correspondientes cláusulas adicionales. Para más información consulte www.adamhall.com.

DECLARACIÓN DEL FABRICANTE:

ELIMINACIÓN CORRECTA DE ESTE PRODUCTO

(Aplicable en la Unión Europea y en los países europeos que dispongan de un sistema de recogida selectiva)



El símbolo que aparece sobre el producto o en la documentación adjunta indica que al final de la vida útil del equipo, no deberá desecharlo con los demás residuos domésticos, con el fin de evitar posibles efectos negativos en el medio ambiente y en la salud humana debidos al vertido incontrolado de desechos. La recogida selectiva ayuda a su posterior reciclaje y fomenta la reutilización sostenible de los componentes de este equipo.

Si es un particular, póngase en contacto con el distribuidor donde adquirió este producto, o con el ayuntamiento, para informarse sobre el reciclaje adecuado de este equipo.

Si es una empresa, póngase en contacto con su proveedor para informarse sobre los términos y condiciones de su contrato de compra-venta. Este producto no debe mezclarse con otros residuos industriales.

PROTECCIÓN MEDIOAMBIENTAL Y AHORRO ENERGÉTICO

Ahorre energía eléctrica para proteger el medio ambiente. Para ello, apague todos los aparatos eléctricos cuando no estén en uso. Además, para evitar el consumo de energía en modo En espera, desenchufe todo aparato eléctrico de la toma de corriente cuando no esté en uso.

Adam Hall GmbH. Todos los derechos reservados. Los datos técnicos y las características funcionales del producto están sujetos a modificaciones. Se prohíbe la fotocopia, traducción y cualquier otra forma de reproducción parcial o total de este manual de usuario.

ENGLISH

DEUTSCH

FRANCAIS

ESPAÑOL

POLSKI

ITALIANO



ENGLISH

DEUTSCH

FRANCAIS

ESPAÑOL

POLSKI

ITALIANO

Gratulujemy wyboru!

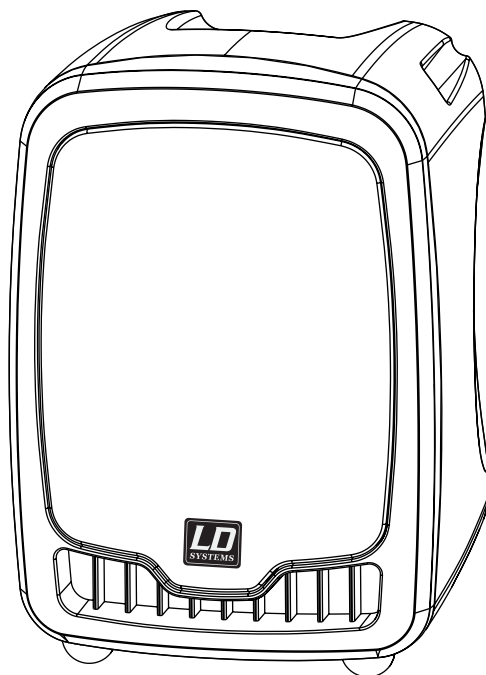
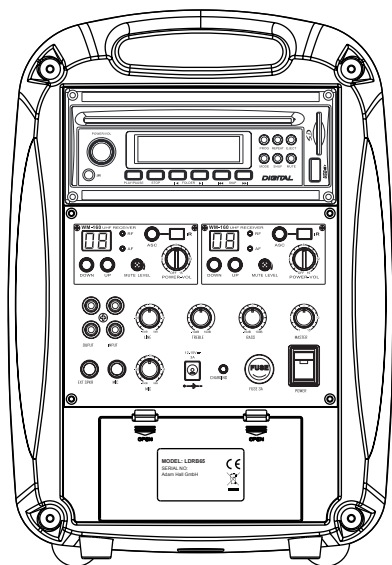
To urządzenie zostało zaprojektowane i wyprodukowane przy zastosowaniu najwyższych kryteriów jakościowych w celu zapewnienia wieloletniej bezawaryjnej eksploatacji. Firma LD Systems gwarantuje to swoją marką i wieloletnim doświadczeniem w wytwarzaniu wysokiej jakości produktów audio.

Proszę starannie przeczytać niniejszą instrukcję obsługi, aby móc jak najszybciej zacząć użytkować ten produkt marki LD Systems.

Dalsze informacje na temat firmy LD SYSTEMS dostępne są na naszej stronie internetowej WWW.LD-SYSTEMS.COM

LD ROADBOY 6.5

PRZENOŚNY SYSTEM DŹWIĘKOWY 100 W



ENGLISH

DEUTSCH

FRANCAIS

ESPAÑOL

POLSKI

ITALIANO

ŚRODKI OSTROŻNOŚCI:

1. Należy dokładnie przeczytać niniejszą instrukcję.
2. Wszystkie informacje i instrukcje przechowywać w bezpiecznym miejscu.
3. Należy przestrzegać zaleceń.
4. Należy przestrzegać wszystkich wskazówek ostrzegawczych. Nie wolno usuwać wskazówek bezpieczeństwa ani innych informacji znajdujących się na urządzeniu.
5. Używać urządzenia wyłącznie w sposób zgodny z jego przeznaczeniem.
6. Stosować wyłącznie stabilne i pasujące statywy, ew. elementy mocujące (w przypadku instalacji stałych).
7. Należy zadbać o prawidłową instalację uchwytów ściennych i ich odpowiednie zabezpieczenie. Zapewnić bezpieczną instalację urządzenia i upewnić się, że urządzenie nie spadnie.
8. Podczas instalacji przestrzegać obowiązujących w danym kraju przepisów bezpieczeństwa.
9. Urządzenie instalować i eksploatować z dala od grzejników, zasobników ciepła, pieców i innych źródeł ciepła. Zadbać o zainstalowanie urządzenia w taki sposób, aby zawsze było ono wystarczająco chłodzone i nie mogło ulec przegrzaniu.
10. Nie umieszczać na urządzeniu źródeł zapłonu, takich jak np. palące się świece.
11. Nie wolno blokować szczelin wentylacyjnych.
12. Nie używać urządzenia w bezpośrednim sąsiedztwie wody (nie dotyczy specjalnych urządzeń do stosowania na zewnątrz – w takim przypadku należy przestrzegać podanych poniżej wskazówek specjalnych). Urządzenie nie może mieć kontaktu z palnymi materiałami, płynami ani gazami.
13. Zabezpieczyć urządzenie przed wniknięciem kapiącej lub pryskającej wody. Nie wolno stawiać na urządzeniu pojemników napełnionych płynami, takich jak wazon czy naczynia z piciem.
14. Należy zadbać o to, aby do urządzenia nie wpadały żadne przedmioty.
15. Urządzenie można eksploatować tylko przy użyciu akcesoriów zalecanych i przewidzianych przez producenta.
16. Nie otwierać urządzenia ani nie dokonywać w nim zmian.
17. Po podłączeniu urządzenia sprawdzić wszystkie ciągi kablowe, aby zapobiec szkodom lub wypadkom np. w wyniku potknięcia.
18. Podczas transportu zadbać o to, aby urządzenie nie upadło, gdyż może to spowodować uszkodzenie mienia i obrażenia ciała.
19. Jeśli urządzenie nie działa prawidłowo, do jego wnętrza dostały się płyny lub przedmioty lub jeśli urządzenie zostało uszkodzone w inny sposób, należy je natychmiast wyłączyć i odłączyć od gniazda sieciowego (jeśli urządzenie jest aktywne). Naprawę takiego urządzenia może wykonać tylko autoryzowany personel specjalistyczny.
20. Do czyszczenia urządzenia stosować suchą ściereczkę.
21. Przestrzegać obowiązujących w danym kraju przepisów dotyczących usuwania odpadów. Podczas utylizacji opakowania oddzielić tworzywo sztuczne od papieru i tektury.
22. Worki z tworzywa sztucznego należy przechowywać w miejscu niedostępnym dla dzieci.

DOTYCZY URZĄDZEŃ Z ZASILANIEM SIECIOWYM:

22. UWAGA: jeśli kabel sieciowy urządzenia jest wyposażony w zestyk ochronny, należy go podłączyć do gniazda z przewodem uziemiającym. Nigdy nie wolno dezaktywować przewodu uziemiającego kabla sieciowego.
23. Nie włączaj urządzenia bezpośrednio po narażeniu go na silne wahania temperatury (np. po transporcie). Wilgoć i skropliny mogą uszkodzić urządzenie. Włączaj urządzenie dopiero wtedy, gdy osiągnie temperaturę pokojową.
24. Przed podłączeniem urządzenia do gniazda elektrycznego należy sprawdzić, czy napięcie i częstotliwość sieci elektrycznej odpowiada wartościom podanym na urządzeniu. Jeśli urządzenie jest wyposażone w przełącznik napięcia, należy podłączyć je do gniazda tylko wówczas, gdy wartości urządzenia odpowiadają wartościom sieci elektrycznej. Jeśli dołączony kabel sieciowy lub dołączony adapter sieciowy nie pasuje do gniazda elektrycznego, należy skontaktować się z elektrykiem.
25. Nie stawaj na kablu sieciowym. Należy zadbać o to, aby kable przewodzące napięcie nie były zagięte przy gnieździe sieciowym, przy adapterze sieciowym ani przy gnieździe urządzenia.

BEZPIECZEŃSTWO:

ENGLISH

DEUTSCH

FRANCAIS

ESPAÑOL

POLSKI

ITALIANO

26. Przy podłączaniu urządzenia zawsze należy zadbać o to, aby kabel sieciowy lub adapter sieciowy był zawsze łatwo dostępny. Odłączyć urządzenie od źródła zasilania, gdy nie jest ono używane lub gdy ma zostać poddane czyszczeniu. Zawsze należy wyjmować kabel sieciowy i adapter sieciowy z gniazda, chwytając za wtyczkę lub adapter, a nie za kabel. Nigdy nie dotykać kabla sieciowego i adaptera sieciowego mokrymi dłońmi.

9. W miarę możliwości nie włączać i wyłączać urządzenia w krótkich odstępach czasu, gdyż może to mieć negatywny wpływ na jego żywotność.

28. **WAŻNA INFORMACJA:** bezpieczniki należy wymieniać wyłącznie na bezpieczniki tego samego typu i o takich samych wartościach. Jeśli bezpiecznik stale się przepala, należy skontaktować się z autoryzowanym centrum serwisowym.

29. Aby całkowicie odłączyć urządzenie od sieci, należy wyjąć kabel sieciowy lub adapter sieciowy z gniazda.

30. Jeśli urządzenie jest wyposażone w przyłącze sieciowe Volex, konieczne jest odblokowanie odpowiedniej wtyczki urządzenia Volex, zanim będzie możliwe jej odłączenie. Oznacza to także, iż w wyniku pociągnięcia za kabel urządzenie może się przesunąć i spaść, co może spowodować obrażenia ciała i/lub inne szkody, dlatego ważne jest, aby przewody były odpowiednio poprowadzone.

31. W przypadku zagrożenia uderzeniem pioruna lub jeśli urządzenie przez dłuższy czas nie jest używane, należy wyjąć kabel sieciowy i adapter sieciowy z gniazda.



UWAGA:

Nigdy nie wolno zdejmować pokrywy, gdyż grozi to porażeniem prądem. We wnętrzu urządzenia nie ma żadnych części, które mogłyby zostać naprawione bądź poddane czynnościom konserwacyjnym przez użytkownika. Naprawy może przeprowadzać wyłącznie wykwalifikowany personel serwisowy.



Trójkąt równoramienny z symbolem błyskawicy oznacza niezaizolowane, „niebezpieczne” napięcie w urządzeniu, które może spowodować niebezpieczne dla zdrowia porażenie prądem.



Trójkąt równoramienny z wykrzyknikiem oznacza ważne wskazówki dotyczące obsługi i wskazówki ostrzegawcze.

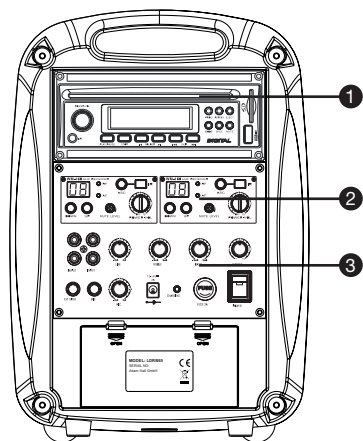
UWAGA NA WYSOKI POZIOM GŁOŚNOŚCI PRODUKTÓW AUDIO!

To urządzenie przewidziane jest do profesjonalnych zastosowań. Komercyjne stosowanie tego urządzenia podlega obowiązującym w danym kraju przepisom i wytycznym dotyczącym zapobiegania wypadkom. Firma Adam Hall jest jako producent zobowiązana do wyraźnego informowania o potencjalnym zagrożeniu dla zdrowia. Utrata słuchu w wyniku wysokiego poziomu głośności i długotrwałego narażenia: podczas stosowania tego produktu może powstać wysoki poziom ciśnienia akustycznego (SPL), który może doprowadzić do nieodwracalnego uszkodzenia słuchu u artystów, pracowników i widzów. Należy unikać długotrwałego narażenia na wysoki poziom głośności powyżej 90 dB.

OSTROŻNIE! WAŻNE WSKAZÓWKI DOTYCZĄCE PRODUKTÓW OŚWIETLENIOWYCH

1. Nie spoglądać w stronę promienia świetlnego z odległości mniejszej niż 40 cm.
2. Nigdy nie spoglądać przez dłuższy czas z krótkiej lub średniej odległości w stronę promienia świetlnego.
3. Nigdy nie spoglądać w stronę promienia świetlnego przy pomocy urządzeń optycznych, takich jak np. szkło powiększające.
4. Światło stroboskopowe może u wrażliwych osób powodować drgawki. Chorzy na padaczkę powinny bezwzględnie unikać miejsc, w których używa się tego typu lamp.

TYLNY PANEL:



- 1** ODTWARZACZ CD
 Cyfrowy odtwarzacz CD z mechanizmem slot-in i złączem USB oraz gniazdem na kartę SD. Odtwarzacz CD z funkcją anti-shock. Obsługiwane formaty plików (odtwarzacz CD, odtwarzacz USB, czytnik kart SD): audio CD, MP3, VMA. (Zastrzega się możliwość zmian!)
- 2** MODUŁ ODBIORNIKA RADIOWEGO:
 Urządzenie Roadboy 6.5 jest wyposażone w odbiornik radiowy. Jeśli dwa mikrofony bezprzewodowe mają być podłączone równocześnie, istnieje możliwość zainstalowania drugiego modułu odbiornika.
- 3** PANEL OBSŁUGI
 Regulator głośności: Master, Mic (połączenie kablowe), Line-In
 Korektor: dźwięki niskie i wysokie
 Wejście/Wyjście liniowe cinch
 Aktywne wyjście dla głośnika zewnętrznego
 Wskaźnik LED: niski poziom naładowania akumulatora (świeci się na czerwono), ładowanie akumulatora (miga na zielono), akumulator naładowany (świeci się na zielono)

ELEMENTY SYSTEMU:

Roadboy



Nadajnik ręczny



Zasilacz sieciowy



Pilot



Podobny do przedstawionego na ilustracji

ENGLISH

DEUTSCH

FRANCAIS

ESPAÑOL

POLSKI

ITALIANO

AKCESORIA DODATKOWE:

Wodoodporny zestaw nagłowny do aerobiku (LDHSAE1)



Wodoodporny zestaw nagłowny (LDHSM1)



Torba transportowa (LDSB21)



Zestaw nagłowny z mikrofonem, czarny (LDWS100MH1)



Nadajnik kieszonkowy (LDWS1616BP)



Zestaw nagłowny z mikrofonem. kolor cielisty (LDWS10)

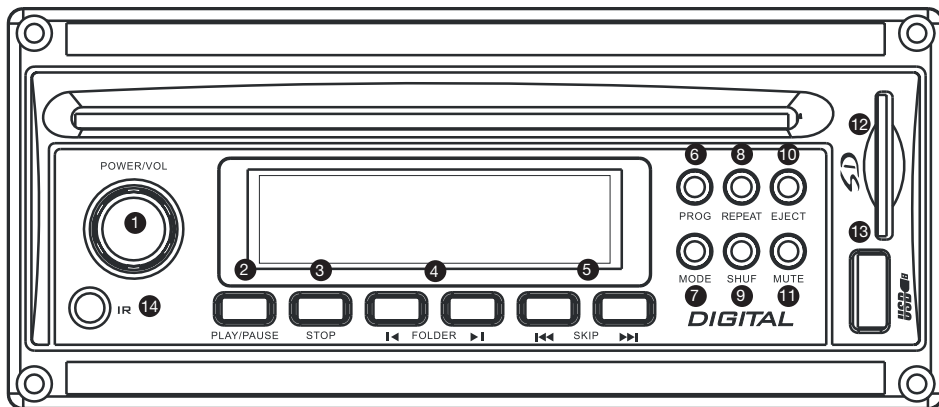


Dodatkowy odbiornik (LDRM102R)



Statyw głośni (LDST40)





1 POWER/VOL

Włącznik/Wyłącznik, regulator głośności
Aby włączyć lub wyłączyć urządzenie, należy nacisnąć przycisk.

2 PLAY/PAUSE

3 STOP

4 FOLDER

W trybie odtwarzania można za pomocą przycisków FOLDER (LEWY/PRAWY) wybrać poprzedni lub następny katalog.

5 SKIP (LEWY/PRAWY)

W trybie odtwarzania można za pomocą przycisków SKIP (LEWY/PRAWY) wybrać poprzedni lub następny utwór.
W trybie odtwarzania można nacisnąć i przytrzymać jeden z przycisków SKIP w celu szybkiego przewinięcia do przodu (prawy przycisk SKIP) lub do tyłu (lewy przycisk SKIP).

6 PROG (PROGRAM)

Programowanie kolejności odtwarzania utworów z płyty CD, pendrive'a lub karty SD.
Po naciśnięciu przycisku PROG na wyświetlaczu pojawi się czas trwania utworu „PROG”, a numer utworu będzie migać. Za pomocą regulatora VOLUME wybrać numer utworu, który ma być odtwarzany jako pierwszy, i zatwierdzić wybór za pomocą

przycisku SHUF. Powtórzyć powyższą czynność w celu stworzenia całego programu. Program uruchomi się automatycznie.

7 MODE

Przycisk ten służy do przełączania między źródłami sygnału SD, USB i CD.

8 REPEAT

Nacisnąć ten przycisk, aby ponownie odtworzyć bieżący utwór.
Nacisnąć ten przycisk dwukrotnie, aby ponownie odtworzyć wszystkie utwory.

9 SHUF

Odtwarzanie losowe

10 EJECT

Wysuwanie płyty CD

11 MUTE

Wyciszenie

12 GNIAZDO KARTY SD

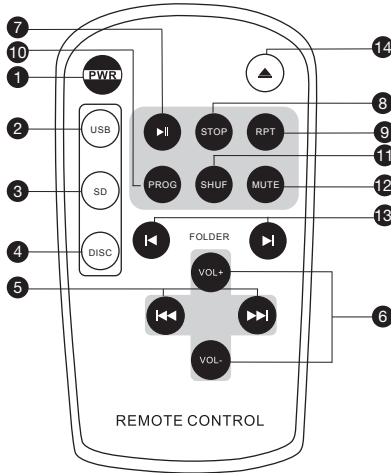
13 USB 2.0

Wejście na pendrive'a

14 IR

Odbiornik podczerwieni do pilota

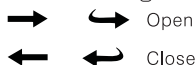
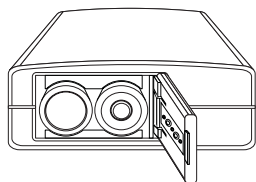
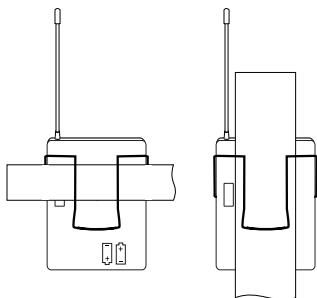
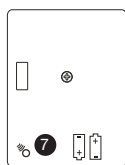
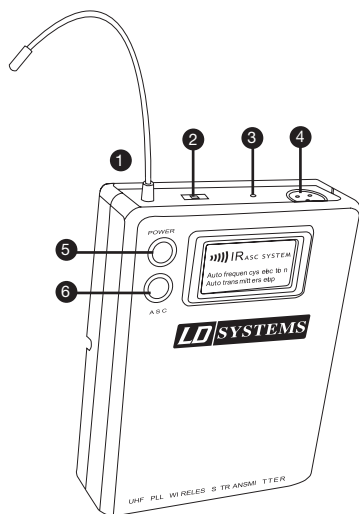
PILOT:



Urządzenie Roadboy 6.5 jest wyposażone w dwa zdalnie sterowane moduły odbiornika na podczerwień. Jeden znajduje się na panelu przednim, a drugi na panelu tylnym. Dzięki temu pilot może być używany zarówno z przodu, jak i z tyłu głośnika.

- 1 **PWR (POWER):** włącznik/wyłącznik
- 2 **USB:** wybór interfejsu USB
- 3 **SD:** wybór interfejsu karty SD
- 4 **DISC:** wybór napędu CD
- 5 **SKIP (LEWY/PRAWY):** w trybie odtwarzania można za pomocą przycisków SKIP (LEWY/PRAWY) wybrać poprzedni lub następny utwór. W trybie odtwarzania można nacisnąć i przytrzymać jeden z przycisków SKIP w celu szybkiego przewinięcia do przodu (prawy przycisk SKIP) lub do tyłu (lewy przycisk SKIP).
- 6 **VOL +/- :** głośność. Nacisnąć przycisk „plus” (+), aby zwiększyć głośność, lub przycisk „minus” (-), aby ją zmniejszyć.
- 7 **PLAY/PAUSE**
- 8 **STOP**
- 9 **RPT (REPEAT):** Nacisnąć ten przycisk, aby ponownie odtworzyć bieżący utwór. Nacisnąć ten przycisk dwukrotnie, aby ponownie odtworzyć wszystkie utwory.
- 10 **PROG (PROGRAM):** Programowanie kolejności odtwarzania utworów z płyty CD, pendrive'a lub karty SD. Po naciśnięciu przycisku PROG na wyświetlaczu pojawi się czas trwania utworu „PROG”, a numer utworu będzie migać. Za pomocą przycisków VOLUME (+/-) wybrać numer utworu, który ma być odtwarzany jako pierwszy, i zatwierdzić wybór za pomocą przycisku SHUF. Powtórzyć powyższą czynność w celu stworzenia całego programu. Program uruchomi się automatycznie.
- 11 **SHUF (SHUFFLE):** odtwarzanie losowe
- 12 **MUTE:** wyciszenie
- 13 **FOLDER:** w trybie odtwarzania można za pomocą przycisków FOLDER (LEWY/PRAWY) wybrać poprzedni lub następny katalog.
- 14 **EJECT:** wysuwanie płyty CD

NADAJNIK KIESZONKOWY:



1 ANTENA

2 REGULACJA WZMOCNIENIA (GAIN)

Mic: mikrofon

0: gitara z pasywnymi przetwornikami dźwięku

-10 dB: gitara z aktywnymi przetwornikami dźwięku

3 DIODA LED POWER

Świeci się na zielono: praca

Świeci się na czerwono: niski poziom baterii

Miga na czerwono: transmisja na podczerwień jest aktywna

4 WEJŚCIE MIKROFONOWE (MINI-XLR)

5 PRZYCIŚK POWER (WŁ./WYŁ.)

6 PRZYCIŚK ASC (ACTIVATE SYNC)

Synchronizacja częstotliwości za pomocą podczerwień

7 INTERFEJS PODCZERWIENI

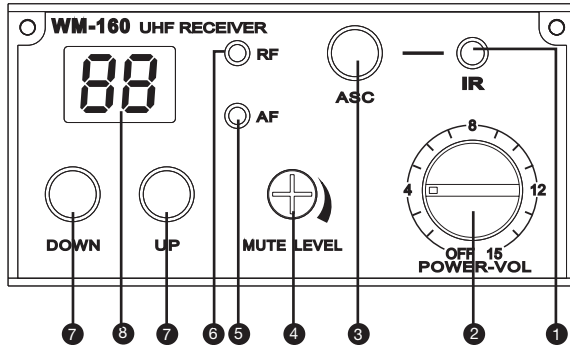
MOCOWANIE NADAJNIKA KIESZONKOWEGO

Przymocować nadajnik do paska od spodni lub innego paska. Aby zapewnić optymalne mocowanie, należy za pomocą klipsa przypiąć nadajnik do paska od spodni lub innego paska, przesuwając go maksymalnie w dół. Pasek od gitary można przewlec przez klips.

WYMIANA BATERII

Jeśli wskaźnik stanu naładowania baterii miga na czerwono, należy natychmiast je wymienić (patrz ilustracja po lewej stronie). W gnieździe baterii należy umieścić 2 baterie alkaliczne typu „AA” (LR6, 1,5 V).

MODUŁ ODBIORNIKA RADIOWEGO:



1 PORT PODCZERWIENI

Wysyła sygnały podczerwieni do nadajnika w celu synchronizacji częstotliwości.

2 POWER

Włącznik/Wyłącznik i regulator głośności

3 ASC

Na odbiorniku należy wybrać częstotliwość transmisji, a następnie nacisnąć przycisk ASC, aby zsynchronizować nadajnik z odbiornikiem. Ustawić port podczerwieni mikrofonu w stronę portu podczerwieni odbiornika. (Synchronizacja z nadajnikiem kieszonkowym: nacisnąć przycisk „ASC” na nadajniku kieszonkowym i na odbiorniku, aby umożliwić synchronizację.)

4 MUTE LEVEL

Ustawienie wyciszenia w odbiorniku:
Funkcja wyciszenia służy do tłumienia szumów, gdy nadajnik jest wyłączony lub odbiornik nie może odebrać wystarczająco silnego sygnału od nadajnika.
Wartość wyciszenia (poziom Mute) odbiornika jest ustawiona fabrycznie na optymalnym poziomie. Dodatkowa regulacja zazwyczaj nie jest potrzebna. Jeśli jednak konieczna byłaby dodatkowa regulacja, należy ustawić wartość wyciszenia tak, aby odbiornik nie szumiał, gdy nadajnik jest wyłączony.

5 AF LED

Wskazuje, czy moduł odbiera sygnał audio.

6 RF LED

Wskazuje, czy moduł odbiera sygnał radiowy (sygnał wysokiej częstotliwości).

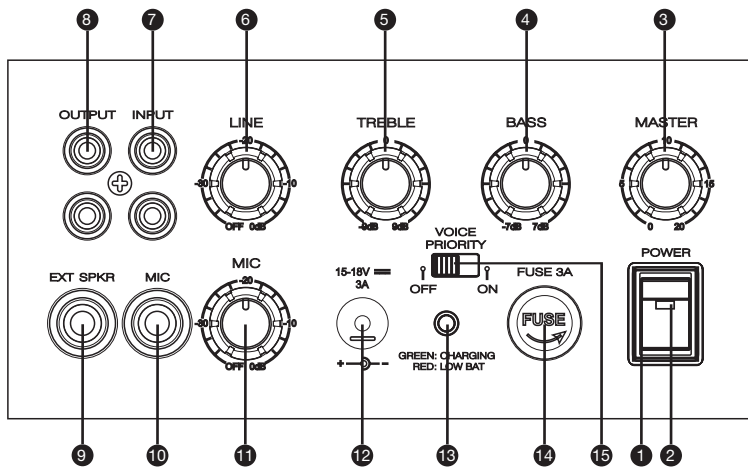
7 UP/DOWN

Wybór kanału radiowego od 1 do 16

8 WYŚWIETLACZ LED

Wskazanie numeru kanału

PANEL OBSŁUGI:



1 PRZEŁĄCZNIK ZASILANIA

Główny przełącznik sieciowy (włącznik/wyłącznik całego systemu)

2 WSKAŹNIK LED

Świeci się na czerwono, gdy system pracuje (jest włączony).

3 MASTER VOLUME

Główny regulator głośności systemu

4 BASS

Regulator brzmienia dla zakresu tonów niskich

5 TREBLE

Regulator brzmienia dla zakresu tonów wysokich

6 LINE VOLUME

Regulator głośności dla wejścia liniowego (cinch)

7 LINE-IN (CINCH)

8 LINE-OUT (CINCH)

9 ZŁĄCZE JACK 6,3 MM DLA GŁOŚNIKA ZEWNĘTRZNEGO

Do tego wyjścia można podłączyć dodatkowy

głośnik pasywny. Po podłączeniu głośnika zewnętrznego dźwięk emitowany jest zarówno przez urządzenie Roadboy, jak i przez dodatkowy głośnik pasywny (impedancja min. 4 Ω).

10 WEJŚCIE MIKROFONOWE

11 REGULATOR GŁOŚNOŚCI MIKROFONU

12 PRZYŁĄCZE DLA ZASILACZA SIECIOWEGO

13 WSKAZANIE POZIOMU NAŁADOWANIA AKUMULATORA

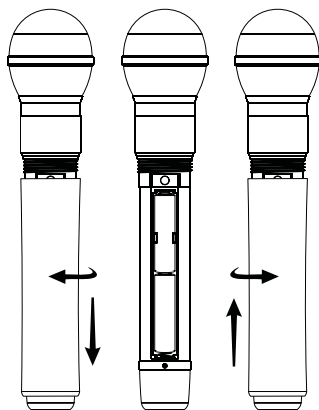
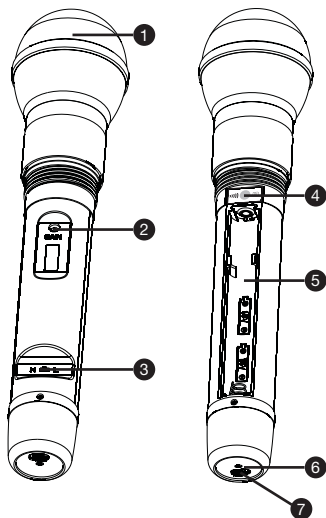
Wskaźnik LED: niski poziom naładowania akumulatora (świeci się na czerwono), ładowanie akumulatora (miga na zielono), akumulator naładowany (świeci się na zielono)

14 BEZPIECZNIK (3 A)

15 PRZEŁĄCZNIK „VOICE PRIORITY”

Podczas odtwarzania muzyki funkcja „Voice Priority” powoduje automatyczną redukcję głośności muzyki, gdy ktoś zaczyna mówić do mikrofonu. Gdy mówiący skończy, głośność muzyki automatycznie się zwiększa. Funkcja ta nazywana jest również „Talkover” lub „Ducking”.

NADAJNIK RĘCZNY:



1 GŁÓWKA MIKROFONU

2 REGULATOR WZMOCNIENIA (GAIN)

Regulator ten służy do ustawiania czułości mikrofonu (obrót w lewo redukuje czułość, obrót w prawo zwiększa ją).
Czułość jest fabrycznie ustawiona na poziomie optymalnym (dla większości zastosowań).

3 PRZEŁĄCZNIK RF (SYGNAŁ RADIOWY)

„H” oznacza „High” (mocny sygnał), „L” oznacza „Low” (słaby sygnał).

4 INTERFEJS PODCZERWIENI

5 KOMORA BATERII

W komorze baterii należy umieścić 2 baterie alkaliczne typu „AA” (LR 6, 1,5 V).

6 WSKAŹNIK POWER/ASC

Dioda LED świeci się na zielono: mikrofon jest włączony

Dioda LED miga na zielono: transmisja na podczerwień jest aktywna

Dioda LED miga na czerwono: niski poziom baterii

7 WŁĄCZNIK/WYŁĄCZNIK

WYMIANA BATERII

Gdy dioda LED sygnalizująca poziom naładowania baterii miga, należy natychmiast wymienić baterie.

USTAWIENIA SYSTEMOWE | OBSŁUGA:

ENGLISH

DEUTSCH

FRANCAIS

ESPAÑOL

POLSKI

ITALIANO

WEJŚCIE DLA MIKROFONÓW PRZEWODOWYCH

Wtyczkę jack 6,3 mm kabla mikrofonowego włożyć do gniazda jack oznaczonego symbolem MIC. Gniazdo to znajduje się na tylnym panelu urządzenia. Należy dopilnować, aby drugi koniec kabla był prawidłowo podłączony do mikrofonu. Jeśli mikrofon posiada włącznik/wyłącznik, należy go włączyć. Za pomocą regulatora wzmocnienia MIC ustawić optymalny poziom mikrofonu (w stosunku do poziomu liniowego). Zbyt wysoki poziom mikrofonu może powodować zniekształcenia (przesterowanie).

MODUŁ ODBIORNIKA RADIOWEGO

Na początku należy ustawić regulator głośności MASTER urządzenia Roadboy na poziomie „0”. Następnie ustawić regulator POWER VOL modułu odbiornika radiowego w pozycji środkowej („godzina dwunasta”). Teraz można zsynchronizować nadajnik (mikrofon ręczny lub nadajnik kieszonkowy) za pomocą funkcji ASC ze zintegrowanym odbiornikiem. Nacisnąć przycisk ASC modułu odbiornika radiowego. Dioda LED ASC miga na czerwono.

W przypadku użycia nadajnika ręcznego: czujnik podczerwieni (IR) znajduje się w komorze baterii pod pokrywą. Należy go przytrzymać w pobliżu czujnika IR modułu odbiornika radiowego.

W przypadku użycia nadajnika kieszonkowego: konieczne jest włączenie funkcji ASC także w nadajniku kieszonkowym. Następnie należy przytrzymać czujnik podczerwieni nadajnika kieszonkowego („IR” na tylnym panelu) w pobliżu interfejsu podczerwieni modułu odbiornika radiowego. Synchronizacja trwa kilka sekund. Jeśli zainstalowano drugi moduł radiowy (opcjonalny), należy upewnić się, czy oba moduły nie pracują na tej samej częstotliwości (patrz wykaz częstotliwości). Dzięki temu można uniknąć zakłóceń. Miganie diody LED „RF” oznacza, że system działa i synchronizacja przebiegła pomyślnie. Teraz można przy pomocy regulatora głośności MASTER urządzenia Roadboy ustawić wybraną głośność.

Maksymalna odległość między mikrofonem bezprzewodowym (lub nadajnikiem kieszonkowym) a modułem odbiornika wynosi ok. 60 m w otwartej przestrzeni.

WYJŚCIE DLA GŁOŚNIKA ZEWNĘTRZNEGO

Do podłączenia głośnika zewnętrznego należy użyć kabla głośnikowego z wtyczką jack 6,3 mm. Głośnik powinien charakteryzować się impedancją między 4 a 8 Ω oraz mocą minimalną 25 W.

ŁADOWANIE AKUMULATORA ROADBOY

Podłączyć dostarczony wraz z urządzeniem Roadboy zasilacz sieciowy (16 V/3 A), jeżeli system ma pracować bez akumulatora lub jeżeli akumulator ma zostać naładowany. Czas ładowania wynosi 8 godzin. Gdy akumulator jest w pełni naładowany, proces ładowania przerywa się automatycznie. Urządzenie Roadboy może także pracować w trybie podłączenia do sieci elektrycznej.

WAŻNA INFORMACJA!

Przy wkładaniu lub wymianie akumulatora należy KONIECZNIE zwrócić uwagę na bieguny! Czerwony = + (plus) // czarny = - (minus).

Przy każdej możliwej okazji ładować akumulator do poziomu maksymalnego. Nigdy nie rozładowywać akumulatora całkowicie, nie przechowywać w stanie rozładowanym ani w połowie naładowanym.

W przypadku dłuższego okresu przechowywania i nieużywania akumulatora należy go ładować w regularnych odstępach czasu.



DANE TECHNICZNE:

SPECYFIKACJA PODSTAWOWA

Moc wyjściowa: MAX 100 W RMS/4 Ω
Odpowiedź częstotliwościowa: 80 Hz–15 kHz
Maksymalne ciśnienie akustyczne: 110 dB
Głośnik: pełnozakresowy 6,5 cala
Zasilanie: zasilacz sieciowy 200 V–250 V
DC 16 V/3 A
Baterie: 12 V/2,6 AH
THD: <0,5 %
Wymiary (szer. x wys. x gł.): 300 x 200 x 230 mm
Waga: 5 kg
Moduł odbiornika: 863–865 MHz

ODTWARZACZ CD

Typ produktu:
Cyfrowy system audio z odtwarzaczem CD oraz mechaniczną i elektroniczną funkcją anti-shock, obsługujący formaty CD-R, MP3, WMA, USB, SD, MP3, WMA.
Napęd CD: typ slot-in
Napięcie zasilania: DC 12 V (10~16 V)
Pobór mocy: w zakresie 5 W
Wymiary (szer. x wys. x gł.): 160 x 147,4 x 68,5 mm
Waga: 1,2 kg

ODBIORNIK:

Kanały: 16
Pasma przenoszenia: 863–865 MHz
Szerokość pasma audio: 60 Hz–16 kHz
THD: <1%
Stosunek sygnału do szumów: > 100 dB
Modulacja: FM
Wymiary: 73 x 36 x 120 mm
Waga netto: 100 g
Wymagania dotyczące zasilania: 12 V DC

NADAJNIK RĘCZNY

Kanały: 16
Pasma przenoszenia: 863–865 MHz
Typ obudowy: dynamiczna
Wykres biegunowy: kardiodoidalny
Moc wyjściowa RF: 10 mW
Szerokość pasma audio: 60 Hz–16 kHz
Stosunek sygnału do szumów: > 102 dB
Modulacja: FM
Wymiary: 235 x 54 mm
Waga netto: 280 g
Wymagania dotyczące zasilania: 2 x baterie „AA”
Żywotność baterii: >10 h

NADAJNIK BELT PACK

Kanały: 16
Pasma przenoszenia: 863–865 MHz
Moc wyjściowa RF: 10 mW
Maks. poziom wejściowy: 6 mV
Szerokość pasma audio: 60 Hz–16 kHz
Stosunek sygnału do szumów: > 102 dB
Modulacja: FM
Wymiary: 85 x 65 x 24 mm
Waga netto: 80 g
Wymagania dotyczące zasilania: 2 x baterie „AA”
Żywotność baterii: >10 h, w zależności od rodzaju baterii

Ponieważ wszystkie nasze produkty są nieustannie sprawdzane i ulepszone, istnieje możliwość zmiany specyfikacji bez wcześniejszego powiadomienia.

ENGLISH

DEUTSCH

FRANCAIS

ESPAÑOL

POLSKI

ITALIANO

DANE TECHNICZNE:

LDWS1616/Roadman/Roadboy

Wykaz częstotliwości w przypadku użycia do trzech mikrofonów bezprzewodowych w celu uniknięcia intermodulacji.

Nr.	Frequenz (MHz)	Gleichzeitig
1	863,100	X
2	863,900	
3	864,500	
4	864,900	
5	863,200	
6	863,300	
7	863,400	
8	863,500	
9	863,600	
10	863,700	X
11	863,800	
12	864,000	
13	864,100	X
14	864,200	
15	864,300	
16	864,400	

ENGLISH

DEUTSCH

FRANCAIS

ESPAÑOL

POLSKI

ITALIANO

DEKLARACJE PRODUCENTA:

GWARANCJA PRODUCENTA

Niniejsza gwarancja dotyczy marek Adam Hall, LD Systems, Defender, Palmer i Cameo. Obejmuje ona wszystkie marki znajdujące się w ofercie firmy Adam Hall.

Niniejsze oświadczenie gwarancyjne nie ogranicza ustawowych roszczeń wobec producenta wynikających z rękojmi, lecz rozszerza je o dodatkowe roszczenia gwarancyjne wobec firmy Adam Hall.

Adam Hall gwarantuje, że w okresie od dwóch do pięciu lat (w zależności od produktu) od daty zakupu dany produkt Adam Hall, który został zakupiony bezpośrednio od firmy Adam Hall lub od autoryzowanego sprzedawcy, pod warunkiem zgodnego z przeznaczeniem użytkowania jest wolny od wad materiałowych i produkcyjnych.

Okres gwarancji rozpoczyna się od daty zakupu produktu, którą w razie wystąpienia przypadku objętego gwarancją należy odpowiednio udokumentować (poprzez przedłożenie faktury lub dowodu dostawy z datą zakupu). Jeśli w przypadku produktów wymienionych powyżej marek konieczna będzie naprawa w trakcie trwania okresu gwarancji, klient jest uprawniony do jej zlecenia w oparciu o niniejsze warunki.

W trakcie trwania okresu gwarancji firma Adam Hall naprawi lub wymieni wadliwe elementy lub produkty. W przypadku naprawy lub wymiany w trakcie trwania okresu gwarancji wymienione części oryginalne lub produkty stają się własnością firmy Adam Hall.

Jeśli nastąpi bardzo mało prawdopodobna sytuacja wielokrotnego występowania wady w nabytym przez klienta produkcie, firma Adam Hall ma prawo, według własnego uznania, zastąpić wadliwy produkt, pod warunkiem, że nowy produkt będzie co najmniej równoważny z wymienianym produktem pod względem specyfikacji technicznej.

Adam Hall nie udziela gwarancji na bezzakłóceniu i/lub bezawaryjne działanie tego produktu. Adam Hall nie ponosi także odpowiedzialności za szkody powstałe wskutek nieprzestrzegania instrukcji obsługi lub innych dokumentów załączonych do tego produktu firmy Adam Hall. Gwarancja producenta nie obejmuje – części zużywalnych (np. akumulatory), – produktów, z których usunięto numer seryjny lub które zostały uszkodzone w wyniku wypadku, – szkód wynikających z nieodpowiedniej eksploatacji, nieprawidłowej obsługi lub innych przyczyn zewnętrznych, – szkód w urządzeniach, które były eksploatowane niezgodnie z ich parametrami roboczymi (parametry zgodne z dokumentacją załączoną do produktu), – szkód wynikających ze stosowania części zamiennych, które nie są produkowane, sprzedawane lub zalecane przez firmę Adam Hall, – szkód wynikających z ingerencji osób trzecich/modyfikacji lub napraw, które nie zostały przeprowadzone przez firmę Adam Hall.

Niniejsze postanowienia i warunki stanowią kompletną i wyłączną umowę gwarancyjną między klientem a firmą Adam Hall dotyczącą zakupionego przez klienta produktu Adam Hall.

DEKLARACJE PRODUCENTA:

ENGLISH

DEUTSCH

FRANCAIS

ESPAÑOL

POLSKI

ITALIANO

OGRANICZENIE ODPOWIEDZIALNOŚCI

Jeśli w produktach sprzętowych firmy Adam Hall w trakcie trwania okresu gwarancji wystąpią szkody materiałowe lub technologiczne (zgodnie z powyższym oświadczeniem gwarancyjnym), jedyne i wyłączne prawo klienta wynikające z niniejszej gwarancji dotyczy naprawy lub wymiany urządzenia. Maksymalna odpowiedzialność firmy Adam Hall jest zgodnie z niniejszą gwarancją wyraźnie ograniczona do ceny kupna lub kosztów naprawy lub wymiany (w zależności od tego, która z tych kwot będzie niższa) elementów uszkodzonych podczas normalnego użytkowania.

Adam Hall nie ponosi odpowiedzialności za żadne szkody spowodowane przez produkt lub jego nieprawidłowe działanie, włącznie z utraconym zyskiem i niepowstałymi oszczędnościami oraz szkodami szczególnymi, pośrednimi i wynikowymi. Ponadto Adam Hall nie ponosi odpowiedzialności za roszczenia prawne osób trzecich ani roszczenia zgłoszone przez klienta w imieniu osób trzecich.

Niniejsze ograniczenie odpowiedzialności obowiązuje niezależnie od tego, czy szkody są dochodzone na drodze sądowej lub czy roszczenia odszkodowawcze wnoszone są w ramach niniejszej gwarancji w wyniku niedozwolonych działań (włącznie z niedbalstwem i odpowiedzialnością z tytułu zagrożenia) lub w wyniku roszczeń umownych lub innych. Nie może ono zostać także przez nikogo zniesione ani zmienione. Niniejsze ograniczenie odpowiedzialności obowiązuje także wówczas, gdy klient poinformuje firmę Adam Hall lub autoryzowanego przedstawiciela firmy Adam Hall o możliwości wystąpienia takich szkód, nie obowiązuje natomiast w przypadku roszczeń odszkodowawczych związanych ze szkodami na osobie.

Niniejsza gwarancja producenta przyznaje klientowi określone prawa. W zależności od jurysdykcji (państwo lub kraj związkowy) klientowi może przysługiwać prawo zgłoszenia dalszych roszczeń. W takich przypadkach zaleca się zastosowanie odpowiednich przepisów umożliwiających skorzystanie z pełni przysługujących danej osobie praw.

SKORZYSTANIE Z GWARANCJI

W razie wystąpienia przypadku objętego gwarancją należy zwrócić się bezpośrednio do firmy Adam Hall lub do autoryzowanego sprzedawcy, u którego produkt został zakupiony.

DEKLARACJA ZGODNOŚCI WE

Sprzedawane przez firmę Adam Hall urządzenia są zgodne z podstawowymi wymogami i pozostałymi obowiązującymi specyfikacjami określonymi dyrektywami 1999/5/WE (R&TTE), 2004/108/WE (EMC) i 2006/95/WE (LVD) (o ile mają zastosowanie). Dalsze informacje dostępne są na stronie www.adamhall.com.

DEKLARACJE PRODUCENTA:

PRAWIDŁOWA UTYLIZACJA NINIEJSZEGO PRODUKTU

(dotyczy Unii Europejskiej i innych krajów europejskich, w których stosuje się segregację odpadów)



Niniejszy symbol na produkcie lub związanych z nim dokumentach wskazuje, iż po zakończeniu okresu użytkowania urządzenie nie może być utylizowane razem ze standardowymi odpadami domowymi, ponieważ mogłoby to spowodować szkody w środowisku lub szkody na osobie powstałe w wyniku niekontrolowanego usuwania odpadów. Niniejszy produkt należy utylizować oddzielnie od innych odpadów i przekazać do punktu recyklingu w celu wspierania ruchu okrężnego w gospodarce w ramach idei zrównoważonego rozwoju.

Klienci prywatni otrzymują informacje w zakresie przyjaznych dla środowiska możliwości usuwania odpadów od sprzedawcy, u którego produkt został zakupiony, lub w odpowiednich placówkach regionalnych.

Użytkownicy będący przedsiębiorcami proszeni są o kontakt ze swoimi dostawcami i ewentualne sprawdzenie uzgodnionych umownie warunków utylizacji urządzeń. Niniejszy produkt nie może być utylizowany razem z innymi odpadami przemysłowymi.

OCHRONA ŚRODOWISKA I OSZCZĘDZANIE ENERGII

Oszczędzanie energii stanowi aktywny wkład w ochronę środowiska. Należy wyłączać wszystkie nieużywane urządzenia elektryczne. Aby zapobiec zużyciu prądu przez nieużywane urządzenia znajdujące się w trybie czuwania (standby), należy wyjąć wtyczkę z gniazda sieciowego.

Adam Hall GmbH, wszystkie prawa zastrzeżone. Dane techniczne i funkcjonalne produktu mogą podlegać modyfikacjom. Kopiowanie, tłumaczenie i pozostałe formy reprodukcji fragmentów lub całości tej instrukcji obsługi są zabronione.

ENGLISH

DEUTSCH

FRANCAIS

ESPAÑOL

POLSKI

ITALIANO



ENGLISH

DEUTSCH

FRANÇAIS

ESPAÑOL

POLSKI

ITALIANO

Avete fatto la scelta giusta!

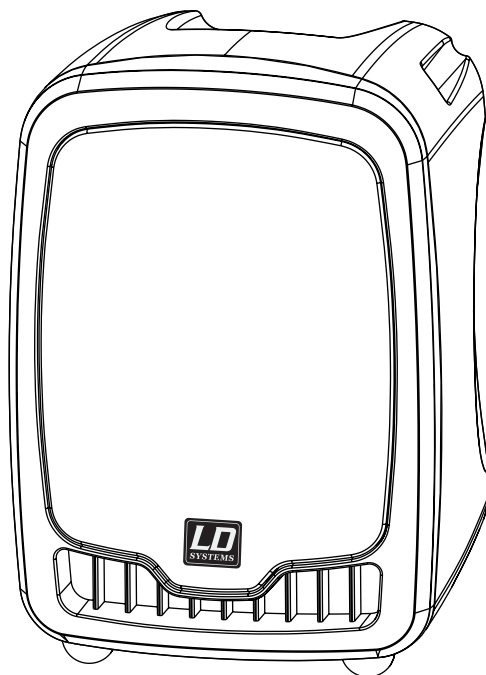
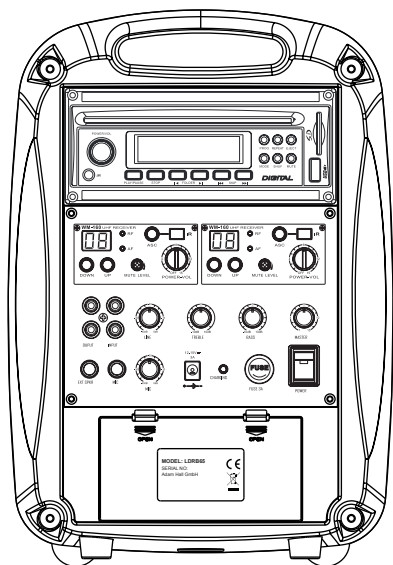
Quest'apparecchio è stato sviluppato e prodotto secondo elevati standard qualitativi che garantiscono un funzionamento regolare per molti anni. Per questo motivo LD Systems, con il suo nome e la pluriennale esperienza, rappresenta un'azienda produttrice di prodotti audio di qualità.

Leggete attentamente questo manuale d'uso per utilizzare al meglio il vostro nuovo prodotto LD Systems.

Per maggiori informazioni su LD SYSTEMS, consultate la nostra pagina web WWW.LD-SYSTEMS.COM

LD ROADBOY 6.5

SOUND SYSTEM 100 W MOBILE



ENGLISH

DEUTSCH

FRANCAIS

ESPAÑOL

POLSKI

ITALIANO

MISURE PRECAUZIONALI:

1. Leggere attentamente il presente manuale di istruzioni.
2. Conservare tutte le indicazioni e le istruzioni in un luogo sicuro.
3. Seguire le istruzioni.
4. Rispettare tutte le avvertenze. Non rimuovere dal dispositivo le indicazioni sulla sicurezza o altre informazioni.
5. Utilizzare il dispositivo solo nei modi previsti dal manuale.
6. Utilizzare esclusivamente stativi e fissaggi stabili e adatti (per installazioni fisse). Verificare che i supporti a parete siano installati e fissati a regola d'arte. Verificare che il dispositivo sia installato in modo stabile e non possa cadere.
7. Durante l'installazione, osservare le normative sulla sicurezza in vigore nel proprio Paese.
8. Non installare né azionare il dispositivo in prossimità di radiatori, accumulatori termici, stufe o altre fonti di calore. Accertarsi che il dispositivo sia sempre installato in modo che venga raffreddato a sufficienza e non possa surriscaldarsi.
9. Non appoggiare sul dispositivo fonti di combustione, quali candele accese.
10. Le fessure di areazione non devono essere bloccate.
11. Non attivare il dispositivo nelle immediate vicinanze di acqua (questo punto non interessa i dispositivi specifici per l'esterno, per i quali valgono le speciali indicazioni riportate di seguito). Non portare mai il dispositivo a contatto con materiali, liquidi o gas infiammabili.
12. Accertarsi che all'interno del dispositivo non possa penetrare acqua per gocciolamento o spruzzo. Non collocare sul dispositivo oggetti contenenti liquidi, quali vasi, tazze o bicchieri.
13. Assicurarsi che non sia possibile la caduta di oggetti nel dispositivo.
14. Azionare il dispositivo esclusivamente con gli accessori appositamente consigliati e previsti dal produttore.
15. Non aprire né modificare il dispositivo.
16. Una volta collegato il dispositivo, verificare tutti i cavi per evitare danni o incidenti, ad esempio per inciampo.
17. Durante il trasporto, assicurarsi che il dispositivo non possa cadere e causare possibili danni a cose e/o persone.
18. Se il dispositivo non funzionasse più correttamente, vi fosse caduto sopra del liquido o un oggetto o fosse stato danneggiato in altro modo, spegnerlo immediatamente e staccare la spina (se si tratta di un dispositivo attivo). La riparazione del dispositivo deve essere affidata esclusivamente a personale qualificato autorizzato.
19. Per la pulizia del dispositivo utilizzare un panno pulito.
20. Rispettare le leggi sullo smaltimento in vigore nel Paese di installazione. Al momento di smaltire l'imballo, separare la plastica dalla carta e dal cartone.
21. I sacchetti di plastica devono essere tenuti lontani dalla portata dei bambini.

DISPOSITIVI CON ALLACCIAMENTO DI RETE:

22. **ATTENZIONE:** se il cavo di rete è dotato di contatto di protezione, deve essere collegato a una presa di rete con messa a terra. Non disattivare mai la connessione di messa a terra di un cavo di rete.
23. Non accendere il dispositivo subito dopo essere stato sottoposto a forti variazioni di temperatura (ad esempio dopo il trasporto). Umidità e condensa potrebbero danneggiare il dispositivo. Accendere il dispositivo solo dopo che ha raggiunto la temperatura ambiente.
24. Prima di collegare il dispositivo alla presa, controllare innanzitutto se la tensione e la frequenza della rete elettrica coincidono con i valori indicati sul dispositivo stesso. Nel caso di dispositivo munito di selettore di tensione, collegarlo alla presa unicamente se i valori del dispositivo coincidono con quelli della rete elettrica. Se il cavo di rete o l'adattatore di rete forniti in dotazione non sono compatibili con la presa, rivolgersi a un elettricista.
25. Non calpestare il cavo di rete. Accertarsi che i cavi sotto tensione, in particolare della presa di rete o dell'adattatore di rete, non vengano pizzicati.
26. Durante il cablaggio del dispositivo, verificare sempre che il cavo di rete e l'adattatore di rete siano costantemente accessibili. Staccare sempre il dispositivo dall'alimentazione di rete quando non è utilizzato o durante la pulizia. Per staccare dalla presa il cavo di rete e l'adattatore di rete, tirare sempre dalla spina o dall'adattatore e non dal cavo. Non toccare mai il cavo di alimentazione e l'alimentatore con le mani umide.

SICUREZZA:

27. Evitare per quanto possibile di accendere e spegnere velocemente il dispositivo per non pregiudicarne la durata.
28. **NOTA IMPORTANTE:** Sostituire i fusibili esclusivamente con fusibili dello stesso tipo e valore. Se un fusibile continua a saltare, rivolgersi a un centro di assistenza autorizzato.
29. Per staccare completamente il dispositivo dalla rete elettrica, rimuovere il cavo di rete o l'adattatore di rete dalla presa.
30. Per staccare un dispositivo provvisto di presa Volex, è prima necessario sbloccare la relativa spina Volex del dispositivo stesso. Tirando il cavo di rete, però, il dispositivo potrebbe spostarsi e cadere, provocando danni alle persone o di altro genere. Prestare quindi la più scrupolosa attenzione durante la posa dei cavi.
31. In caso di pericolo di caduta di fulmine, o se il dispositivo rimane inutilizzato a lungo, staccare sempre il cavo di rete e l'adattatore di rete dalla presa.



ATTENZIONE:

non togliere mai il coperchio di protezione per evitare il pericolo di scosse elettriche. L'interno del dispositivo non contiene parti che possono essere riparate o sottoposte a manutenzione da parte dell'utente. Le riparazioni dovranno essere realizzate esclusivamente da tecnici qualificati.



Il triangolo isoscele con il simbolo del fulmine indica la presenza nel dispositivo di tensioni non isolate, "pericolose", che possono provocare scosse dannose alla salute.



Il triangolo isoscele con punto esclamativo avverte di importanti segnalazioni relative all'uso e alla manutenzione.

ATTENZIONE: ELEVATI LIVELLI SONORI NEI PRODOTTI AUDIO!

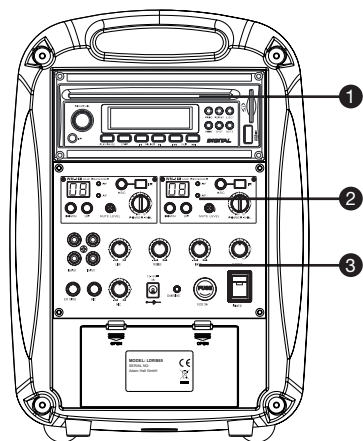
Questo dispositivo è destinato a uso professionale. Di conseguenza, se viene destinato ad un uso commerciale, sarà soggetto alle norme e ai regolamenti dell'Associazione per la prevenzione di infortuni del rispettivo settore professionale. In qualità di produttore, Adam Hall è tenuto per legge a informare espressamente gli utenti degli eventuali rischi per la salute.

Danni all'udito provocati da un'esposizione prolungata a un livello SPL elevato: dall'utilizzo di questo prodotto si possono generare elevati livelli di pressione sonora (SPL) che possono provocare danni irreparabili all'udito di artisti, collaboratori e spettatori. Evitare l'esposizione prolungata a livelli sonori elevati, superiori a 90 dB.

ATTENZIONE! INDICAZIONI IMPORTANTI RELATIVE AI PRODOTTI DI ILLUMINAZIONE

1. Non guardare il fascio di luce da distanze inferiori a 40 cm.
2. Non guardare mai a lungo il fascio di luce da breve-media distanza.
3. Non guardare mai il fascio di luce con dispositivi ottici quali le lenti d'ingrandimento.
4. In alcuni casi, in persone sensibili gli effetti stroboscopici possono causare attacchi epilettici. Pertanto, le persone affette da epilessia devono assolutamente evitare luoghi in cui vengono impiegati effetti stroboscopici.

PANNELLO POSTERIORE:



1 LETTORE CD

Slot digitale nel lettore CD con ingresso per memory stick USB e slot per scheda SD. Lettore CD con funzionalità anti salto. Formati file supportati (lettore CD, lettore USB, lettore scheda SD): Audio CD, MP3, WMA. (Con riserva di modifiche!)

2 MODULO RICEVITORE RADIO

Il Roadboy 6.5 è dotato di ricevitore radio. Installando un secondo modulo ricevitore, è possibile utilizzare due microfoni senza fili contemporaneamente.

3 PANNELLO DI CONTROLLO

Regolatore di volume: Master, Mic (collegamento via cavo), ingresso di linea

EQ: Bass, Treble

Ingresso e uscita via RCA

Uscita attiva per altoparlante esterno

Indicatore LED: Livello batteria basso (rosso), batteria in carica (verde intermittente), batteria carica (verde)

COMPONENTI DEL SISTEMA:

Roadboy



Microfono a mano



Alimentatore



Telecomando



Figura simile

ENGLISH

DEUTSCH

FRANCAIS

ESPAÑOL

POLSKI

ITALIANO

ACCESSORI **OPZIONALI:**

Cuffia impermeabile per aerobica (LDHSAE1)



Cuffia impermeabile per aerobica (LDHSM1)



Borsa (LDSB21)



Cuffia con microfono, nera (LDWS100MH1)



Trasmettitore tascabile (LDWS1616BP)



Cuffia con microfono, color carne (LDWS100MH3)



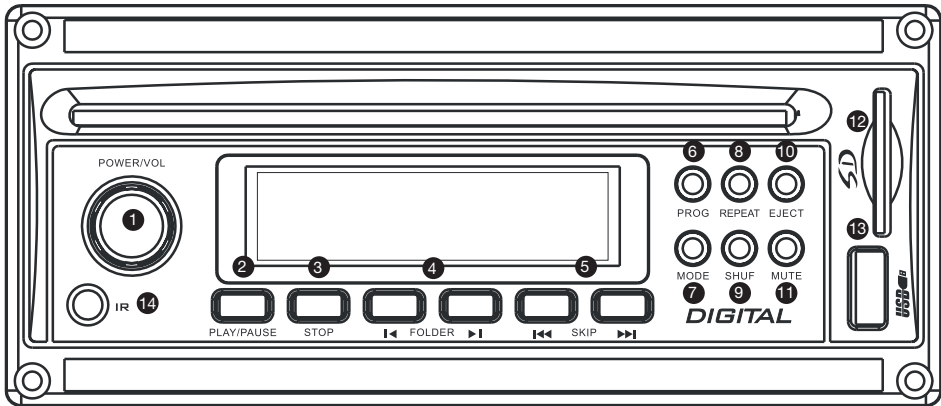
Ricevitore supplementare (LDRM102R)



Stativo per altoparlante (LDST40)



LETTORE CD:



ENGLISH

DEUTSCH

FRANCAIS

ESPAÑOL

POLSKI

ITALIANO

1 POWER/VOL

Accensione/spengimento, regolatore altoparlante
Premere il pulsante per accendere/spengere.

2 PLAY/PAUSE

3 STOP

4 FOLDER

Nella modalità PLAY, utilizzare i tasti FOLDER (SINISTRO/DESTRO) per selezionare la prima pista della cartella precedente/seguinte.

5 SKIP (SINISTRA/DESTRA)

Nella modalità PLAY, utilizzare i tasti SKIP (sinistra o destra) per selezionare la pista precedente/seguinte. Nella modalità PLAY, tenere premuti i tasti SKIP per avanzare rapidamente (Fast Forward, tasto SKIP destro) o tornare indietro rapidamente (Fast Reverse, tasto SKIP sinistro) in una pista.

6 PROG (PROGRAMMARE)

Consente di programmare un proprio ordine di riproduzione per le piste di un CD, una chiavetta USB o una scheda SD.

Premendo il tasto PROG, nel display sopra la visualizzazione del tempo di riproduzione delle piste, appare "PROG" e il numero di pista lampeggia. Con il regolatore del VOLUME, selezionare il numero di pista che si assegnerà al primo posto del programma

e confermare con SHUF. Ripetere la procedura fino al completamento del programma. Il programma si avvia automaticamente.

7 MODE

Premere questo tasto per navigare tra le sorgenti del segnale SD, USB e CD.

8 REPEAT

Premere questo tasto una volta per ripetere la pista attuale.
Premere questo tasto due volte per ripetere tutte le piste.

9 SHUF

Riproduzione casuale delle piste

10 EJECT

Espulsione del CD

11 MUTE

Posizione di silenzio

12 SLOT SCHEDA SD

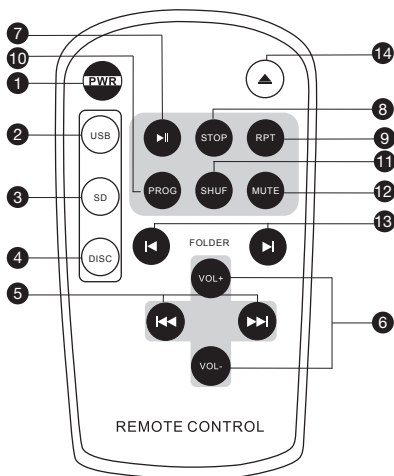
13 USB 2.0

Slot per il memory stick

14 IR

Ricevitore infrarossi per telecomando

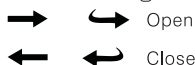
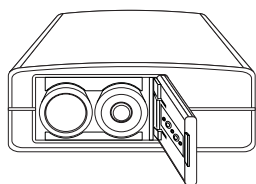
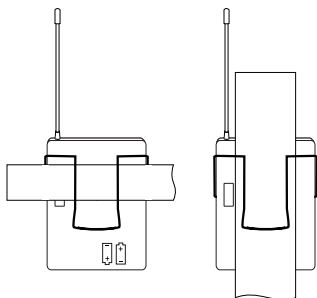
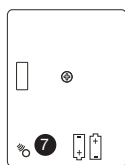
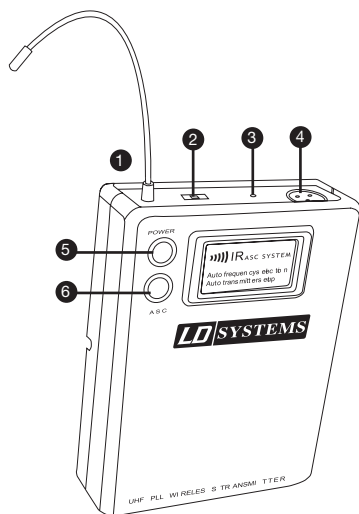
TELECOMANDO:



Il Roadboy 6.5 è dotato di due moduli ricevitori a infrarossi telecomandabili, uno sul lato anteriore e uno sul lato posteriore. In questo modo il telecomando può essere utilizzato da davanti e da dietro l'altoparlante.

- 1 PWR (POWER):** Interruttore di accensione/spengimento
- 2 USB:** Selezione dell'interfaccia USB.
- 3 SD:** Selezione dell'interfaccia della scheda SD.
- 4 DISC:** Selezione dell'unità CD.
- 5 SKIP (SINISTRA/DESTRA):** Nella modalità PLAY, utilizzare i tasti SKIP (sinistra o destra) per selezionare la pista precedente o seguente. Nella modalità PLAY, tenere premuti i tasti SKIP per avanzare rapidamente (Fast Forward, tasto SKIP destro) o tornare indietro rapidamente (Fast Reverse, tasto SKIP sinistro) in una pista.
- 6 VOL +/-:** Volume. Premere il tasto più (+) per aumentare il volume e il tasto meno (-) per abbassarlo.
- 7 PLAY/PAUSE**
- 8 STOP**
- 9 RPT (REPEAT):** Premere questo tasto una volta per ripetere la pista, due volte per ripetere tutte le piste.
- 10 PROG (PROGRAMMARE):** Consente di programmare un proprio ordine di riproduzione per le piste di un CD, una chiavetta USB o una scheda SD. Premendo il tasto PROG, nel display sopra la visualizzazione del tempo di riproduzione delle piste, appare "PROG" e il numero di pista lampeggia. Con i tasti del VOL (+/-), selezionare il numero di pista da assegnare al primo posto del programma e confermare con SHUF. Ripetere la procedura fino al completamento del programma. Il programma si avvia automaticamente.
- 11 SHUF (SHUFFLE):** Riproduzione casuale delle piste
- 12 MUTE:** Posizione di silenzio
- 13 FOLDER:**
Nella modalità PLAY, utilizzare i tasti FOLDER (SINISTRO/DESTRO) per selezionare la prima pista della cartella precedente/seguente.
- 14 EJECT:** Espulsione del CD

TRASMETTITORE TASCABILE:



1 ANTENNA

2 IMPOSTAZIONE GAIN

Mic: Microfono
0: Chitarra con pick-up passivi
-10 dB: Chitarra con pick-up attivi

3 LED ACCENSIONE

Verde: Acceso
Rosso: Livello batteria basso
Rosso lampeggiante: Trasmissione a infrarossi attiva

4 INGRESSO MICROFONO (MINI XLR)

5 TASTO POWER (ACCESO/SPENTO)

6 TASTO ASC (ATTIVARE SINCRONIZZAZIONE)

Sincronizzazione di frequenza tramite infrarossi

7 SENSORE INFRAROSSI

COME FISSARE IL TRASMETTITORE TASCABILE

Fissare il trasmettitore tascabile a una cintura o alla tracolla. Per un fissaggio sicuro, spostare la clip del trasmettitore tascabile fino in fondo alla cintura o alla tracolla.

I chitarristi possono far passare la tracolla della chitarra direttamente attraverso la clip.

SOSTITUZIONE DELLE BATTERIE

Quando l'indicatore del livello delle batterie lampeggia in rosso, le batterie si devono sostituire immediatamente (v. figura a sinistra). Introdurre due batterie alcaline del tipo "AA" (LR6, 1,5 V).

ENGLISH

DEUTSCH

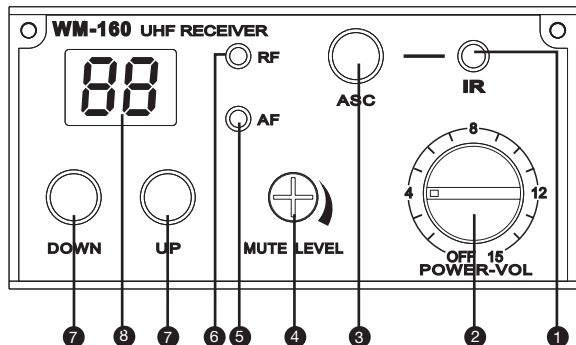
FRANCAIS

ESPAÑOL

POLSKI

ITALIANO

MODULO RICEVITORE RADIO:



1 SENSORE INFRAROSSI

Invia al trasmettitore segnali infrarossi per la sincronizzazione di frequenza.

2 POWER-VOL

Interruttore di accensione/spengimento e regolatore del volume

3 ASC

Sul ricevitore, selezionare la frequenza di trasmissione e premere quindi il tasto ASC per sincronizzare trasmettitore e ricevitore. Orientare il sensore IR (interfaccia infrarossi) del microfono davanti al sensore IR del ricevitore. (Sincronizzazione con trasmettitore tascabile: sul trasmettitore tascabile e sul ricevitore premere il tasto "ASC" per attivare la sincronizzazione.)

4 MUTE LEVEL

Impostazione Squelch sul ricevitore:

La funzione Squelch consente di eliminare il rumore quando il trasmettitore è spento o il ricevitore non può ricevere un segnale sufficientemente forte dal trasmettitore.

Il valore Squelch (livello Mute) del ricevitore è configurato in fabbrica in maniera ottimale. Solitamente non è necessaria alcuna ulteriore regolazione.

Se fosse necessario effettuare una regolazione ulteriore, impostare il valore Squelch in modo che con il trasmettitore spento non si generino fruscii sul ricevitore.

5 LED AF

Indica se il modulo riceve un segnale audio.

6 LED RF

Indica se il modulo riceve un segnale radio (HF).

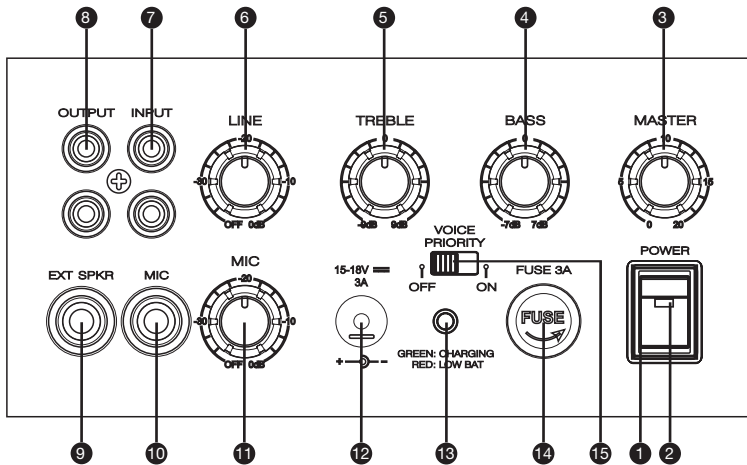
7 UP/DOWN

Selezione del canale 1 - 16

8 DISPLAY LED

Indicatore del numero di canale

PANNELLO DI CONTROLLO:

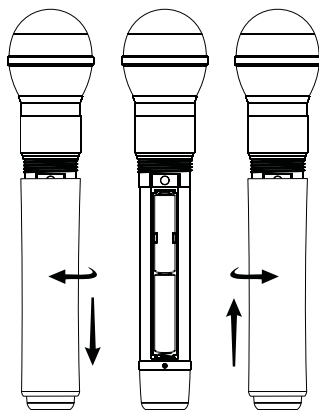
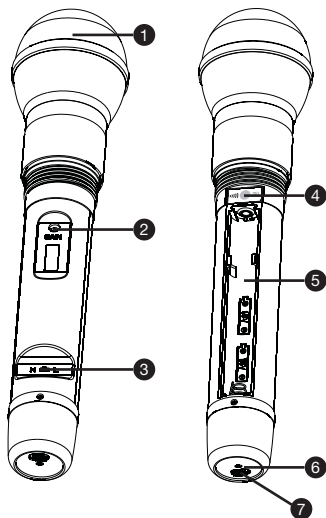


- 1 **INTERRUTTORE POWER** Interruttore di accensione principale (interruttore di accensione/spegnimento dell'intero sistema)
- 2 **INDICATORE LED** Si accende in rosso quando il sistema è in funzione (accesso).
- 3 **VOLUME GENERALE**
Regolatore principale del volume del sistema
- 4 **BASS**
Regolatore del suono per l'area dei bassi (gravi)
- 5 **TREBLE**
Regolatore del suono per l'area degli alti (acuti)
- 6 **LINE VOLUME**
Regolazione del volume per l'ingresso di linea (RCA)
- 7 **INGRESSO DI LINEA (RCA)**
- 8 **USCITA DI LINEA (RCA)**
- 9 **JACK DA 6,3 MM PER ALTOPARLANTE ESTERNO**
Su questa uscita è possibile collegare anche un

altoparlante passivo supplementare. Quando si utilizza questa uscita, il suono proviene sia dal Roadboy sia dall'altoparlante passivo supplementare (impedenza min. 4 Ω).

- 10 **INGRESSO MICROFONO**
- 11 **REGOLATORE DEL VOLUME DEL MICROFONO**
- 12 **CONNESSIONE PER ALIMENTATORE**
- 13 **VISUALIZZAZIONE DI STATO DELLA BATTERIA**
Indicatore LED: Livello batteria basso (rosso), batteria in carica (verde intermittente), batteria carica (verde)
- 14 **FUSIBILE (3 A)**
- 15 **INTERRUTTORE "VOICE PRIORITY"**
Durante la riproduzione di musica, la funzione "Voice Priority" abbassa automaticamente il volume della musica quando si parla al microfono. Non appena si smette di parlare, il volume della musica torna automaticamente al livello precedente. Questa funzione è denominata anche "Talkover" (o "Ducking").

MICROFONO A MANO:



1 GRIGLIA DEL MICROFONO

2 GAIN

Questo regolatore consente di controllare la sensibilità del microfono (ruotando a sinistra si riduce la sensibilità, a destra si aumenta).

La configurazione ottimale della sensibilità è già impostata in fabbrica (per la maggior parte delle applicazioni).

3 INTERRUOTTORE RF (SEGNALE RADIO)

"H" significa "High" (segnale forte), "L" significa "Low" (segnale debole).

4 SENSORE INFRAROSSI

5 SCOMPARTO BATTERIE

Introdurre due batterie alcaline del tipo "AA" (LR6, 1,5 V).

6 POWER/ASC

Il LED è acceso in verde: Microfono acceso

Il LED lampeggia in verde: Trasmissione a infrarossi attiva

Il LED lampeggia in rosso: Livello batteria basso

7 INTERRUOTTORE DI ACCENSIONE/SPEGNIMENTO

SOSTITUZIONE DELLE BATTERIE

Se il LED del livello della batteria lampeggia, sostituire la batteria immediatamente.

IMPOSTAZIONI E COMANDO DEL SISTEMA:

INGRESSO PER MICROFONI A FILO

Collegare la spina jack da 6,3-mm-del cavo del microfono all'ingresso jack denominato MIC. Questo ingresso si trova sul pannello posteriore del Roadboy. Verificare che l'altra estremità del cavo sia collegata correttamente al microfono. Se il microfono dispone di un interruttore di accensione/spegnimento, accenderlo. Con il regolatore della funzione GAIN del microfono, impostare il livello ottimale del microfono (rispetto al livello di linea). Un livello del microfono troppo elevato può generare distorsioni.

USO DEL MODULO RICEVITORE RADIO

Innanzitutto impostare su "0" il regolatore del volume MASTER del Roadboy, quindi ruotare il regolatore POWER-VOL del modulo ricevitore radio in posizione centrale ("ore dodici"). Sincronizzare ora il trasmettitore (microfono manuale o trasmettitore tascabile) con il ricevitore utilizzando la funzione ASC. Premere il tasto ASC del modulo ricevitore radio; il LED ASC lampeggia in rosso.

Se si utilizza un microfono a mano: Il sensore a infrarossi (IR) si trova nello scomparto della batteria sotto la capsula. Tenerlo in prossimità del sensore IR del modulo ricevitore radio.

Se si utilizza un trasmettitore tascabile: È necessario attivare la funzione ASC anche sul trasmettitore tascabile. Tenere quindi il sensore a infrarossi del trasmettitore tascabile ("IR", sul pannello posteriore) vicino alla finestra IR del modulo ricevitore radio. La sincronizzazione dura qualche secondo. Se si è installato un secondo modulo radio (opzionale), accertarsi che i due moduli siano azionati sulla stessa frequenza (v. lista delle frequenze). In questo modo si evitano interferenze. Se il LED "RF" lampeggia, significa che il sistema funziona e che la sincronizzazione è stata effettuata correttamente. Ora è possibile impostare il volume desiderato con il regolatore del volume MASTER del Roadboy.

La distanza massima tra il microfono radio (o trasmettitore tascabile) e il modulo ricevitore è di circa 60 m in uno spazio libero da ostacoli.

USCITA "EXT. SPKR"

Per il collegamento di un altoparlante esterno utilizzare un apposito cavo dotato di spina jack da 6,3 mm. L'altoparlante deve avere un'impedenza compresa tra 4 e 8 ohm e una potenza minima di 25 W.

COME CARICARE LA BATTERIA DEL ROADBOY

Per azionare il sistema senza batteria o per caricare la batteria, collegare l'alimentatore del Roadboy fornito in dotazione (16 V / 3 A). Il tempo di carica è di circa 8 ore. Quando la batteria è completamente caricata, la procedura di carica termina automaticamente. Il Roadboy può essere utilizzato anche collegato alla rete elettrica.

NOTA IMPORTANTE!

Quando si collega una batteria per la prima volta o si sostituisce la batteria, prestare la MASSIMA attenzione alla polarità! Rosso = + (più) // nero = - (meno).

Appena possibile, caricare sempre completamente la batteria. Non immagazzinare mai una batteria al piombo completamente scarica, vuota o semiscarica. Se la batteria non viene utilizzata o viene stoccata per un periodo prolungato, è necessario ricaricarla a intervalli regolari.

ENGLISH

DEUTSCH

FRANCAIS

ESPAÑOL

POLSKI

ITALIANO



ENGLISH

DEUTSCH

FRANCAIS

ESPAÑOL

POLSKI

ITALIANO

SPECIFICHE BASE

Potenza di uscita: MAX 100 W RMS / 4 Ω
Risposta in frequenza: 80 Hz - 15 kHz
Massimo livello di pressione sonora: 110 dB
Speaker: full range da 6,5 pollici
Alimentazione elettrica: Commutazione dell'alimentazione elettrica 200 V - 250 V
DC 16 V / 3 A
Batterie: 12 V / 2,6 Ah
THD: <0,5 %
Dimensioni (L x H x P): 300 x 200 x 230 mm
Peso: 5 kg
Modulo ricevitore: 863 - 865 MHz

CD PLAYER

Tipo di prodotto:
Sistema CD di audio digitale disponibile con anti salto meccanico ed elettronico per la riproduzione di CD, CD-R, MP3, WMA, USB, SD, WMA.
Caricamento disco: inserimento a slot
Tensione di alimentazione: DC 12 V (10 ~ 16 V)
Consumo elettrico: meno di 5 W
Dimensioni (L x H x P): 160 x 147,4 x 68,5 mm
Peso: 1,2 kg

RICEVITORE

Canali: 16
Intervallo della frequenza portante: 863 - 865 MHz
Larghezza di banda audio: 60 Hz - 16 kHz
THD: <1%
Rapporto segnale/rumore: >100 dB
Modulazione: FM
Dimensioni: 73 x 36 x 120 mm
Peso netto: 100 g
Requisiti di alimentazione: 12 V DC

MICROFONO A MANO

Canali: 16
Intervallo della frequenza portante: 863 - 865 MHz
Tipo di capsula: dinamico
Diagramma polare: cardioide
Potenza di uscita RF: 10 mW
Larghezza di banda audio: 60 Hz - 16 kHz
Rapporto segnale/rumore: >102 dB
Modulazione: FM
Dimensioni: 235 x 54 mm
Peso netto: 280 g
Requisiti di alimentazione: N. 2 batterie "AA"
Durata batterie: >10 ore

TRASMETTITORE BELT PACK

Canali: 16
Intervallo della frequenza portante: 863 - 865 MHz
Potenza di uscita RF: 10 mW
Max livello di input: 6 mV
Larghezza di banda audio: 60 Hz - 16 kHz
Rapporto segnale/rumore: >102 dB
Modulazione: FM
Dimensioni: 85 x 65 x 24 mm
Peso netto: 80 g
Requisiti di alimentazione: N. 2 batterie "AA"
Durata batterie: >10 ore, in funzione delle batterie

Poiché tutti i nostri prodotti sono sottoposti a controllo e miglioramento continui, è possibile che vengano introdotte modifiche tecniche senza previa notifica.

DATI TECNICI:

LDWS1616 / Roadman / Roadboy

Lista delle frequenze per l'impiego senza intermodulazione di un massimo di tre microfoni radio contemporaneamente.

Nr.	Frequenz (MHz)	Gleichzeitig
1	863,100	X
2	863,900	
3	864,500	
4	864,900	
5	863,200	
6	863,300	
7	863,400	
8	863,500	
9	863,600	
10	863,700	X
11	863,800	
12	864,000	
13	864,100	X
14	864,200	
15	864,300	
16	864,400	

ENGLISH

DEUTSCH

FRANCAIS

ESPAÑOL

POLSKI

ITALIANO

DICHIARAZIONI DEL PRODUTTORE:

GARANZIA DEL PRODUTTORE

La presente garanzia copre i marchi Adam Hall, LD Systems, Defender, Palmer e Cameo.

Essa è valida per tutti i prodotti distribuiti da Adam Hall.

La presente dichiarazione di garanzia non influisce sui diritti legali di garanzia verso il produttore, bensì li estende con ulteriori diritti di garanzia nei confronti della ditta Adam Hall.

Adam Hall garantisce, per un periodo di due o cinque anni (chiedere informazioni per il prodotto specifico) dalla data di acquisto, che questo prodotto Adam Hall, acquistato direttamente presso Adam Hall o attraverso un rivenditore autorizzato, laddove utilizzato correttamente, è privo di difetti di materiale e di fabbricazione.

Il periodo di garanzia ha inizio dalla data di acquisto, che, nei casi contemplati dalla garanzia, deve essere adeguatamente documentata presentando la fattura o la bolla di consegna su cui è riportata la data di acquisto. Laddove prodotti delle marche summenzionate necessitassero di interventi di riparazione nel periodo di garanzia, l'acquirente ha diritto a usufruire del servizio alle condizioni indicate nel presente documento.

Nel periodo di garanzia, Adam Hall si fa carico della riparazione o della sostituzione dei componenti o degli apparecchi difettosi. In caso di riparazione o sostituzione nel periodo di garanzia, i prodotti o le parti originali sostituiti passano in proprietà della ditta Adam Hall.

Nell'improbabile caso in cui il prodotto acquistato presentasse ripetuti malfunzionamenti, Adam Hall si riserva il diritto di sostituire, a propria discrezione, il prodotto difettoso con un altro prodotto, a condizione che le caratteristiche tecniche del nuovo prodotto siano almeno equivalenti a quelle del prodotto sostituito.

Adam Hall non garantisce che il prodotto sia perfettamente funzionante e/o non presenti guasti. Adam Hall esclude inoltre qualsiasi responsabilità per danni derivanti dall'inosservanza del manuale d'uso accluso al prodotto e di altra documentazione. La garanzia del produttore non copre: - Parti soggette a usura (come le batterie) - Prodotti da cui sia stato rimosso il numero di serie o che siano stati danneggiati a causa di un incidente - Danni causati da uso improprio, uso errato o altri motivi esterni

- Danni ad apparecchi che non siano stati impiegati secondo i parametri di funzionamento (indicati nella documentazione fornita in dotazione)

- Danni derivanti dall'utilizzo di ricambi non prodotti, distribuiti o consigliati da Adam Hall

- Danni derivanti da interventi o modifiche di terzi o da riparazioni non effettuate da Adam Hall.

Le presenti disposizioni e condizioni costituiscono l'accordo di garanzia completo ed esclusivo tra l'Acquirente e Adam Hall per il prodotto Adam Hall acquistato.

DICHIARAZIONI DEL PRODUTTORE:

ENGLISH

DEUTSCH

FRANCAIS

ESPAÑOL

POLSKI

ITALIANO

LIMITAZIONE DI RESPONSABILITÀ

Laddove nei prodotti hardware Adam Hall insorgessero difetti di materiale o di fabbricazione (in conformità con la dichiarazione di garanzia di cui sopra) durante il periodo di garanzia, il Cliente usufruirebbe, come unico ed esclusivo diritto previsto dalla presente garanzia, della riparazione o sostituzione dell'apparecchio. La massima responsabilità di Adam Hall è limitata, come espressamente indicato nella presente garanzia, al prezzo d'acquisto o ai costi di riparazione o sostituzione (optando per l'importo minore) dei componenti che risultano difettosi nonostante siano stati correttamente utilizzati.

Adam Hall non è responsabile di alcun danno provocato dal prodotto o dal suo malfunzionamento, ivi compresi mancati guadagni, perdite e danni speciali indiretti o conseguenti. Adam Hall inoltre non è responsabile verso reclami presentati da terzi né verso richieste avanzate dal cliente a nome di terzi.

La presente limitazione di responsabilità vale indipendentemente dal fatto che i danni siano oggetto di procedimenti giudiziari o che le richieste di risarcimento danni siano presentate ai sensi della presente garanzia o per atti illeciti (includere negligenza e responsabilità oggettiva) o per pretese contrattuali o di altra natura, e non può essere né annullata né modificata da nessuno. La presente limitazione di responsabilità è valida anche nel caso in cui l'utente abbia avvisato Adam Hall o un rappresentante autorizzato circa la possibilità di tali danni. Tale limitazione non è però valevole in caso di richieste per risarcimento danni in relazione a danni a persone.

La garanzia del produttore accorda all'Acquirente determinati diritti; possono tuttavia competere ulteriori diritti in funzione della giurisdizione di pertinenza (stato o regione). Si consiglia quindi di consultare le leggi applicabili per determinare in modo esaustivo i propri diritti.

RICORSO ALLA **GARANZIA**

Per usufruire della garanzia, rivolgersi direttamente ad Adam Hall o al rivenditore autorizzato Adam Hall, presso il quale è stato acquistato il prodotto.

DICHIARAZIONE DI **CONFORMITÀ CE**

I dispositivi distribuiti da Adam Hall ottemperano (ove del caso) ai requisiti essenziali e ad altre specifiche rilevanti delle direttive 1999/5/CE (R&TTE - Apparecchiature radio e apparecchiature terminali di telecomunicazione), 2004/108/CE (EMC - Compatibilità elettromagnetica) e 2006/95/CE (LVD - Materiale elettrico a bassa tensione). Per ulteriori informazioni, consultare il sito www.adamhall.com.

DICHIARAZIONI DEL PRODUTTORE:

CORRETTO SMALTIMENTO DEL PRODOTTO

(In vigore nell'Unione Europea e in altri paesi europei in cui si attui la raccolta differenziata)



Questo simbolo apposto sul prodotto o sui relativi documenti indica che, per evitare danni all'ambiente e alle persone causati da uno smaltimento incontrollato dei rifiuti, alla fine del suo ciclo di vita l'apparecchio non deve essere smaltito insieme ai normali rifiuti domestici. Il prodotto deve quindi essere smaltito separatamente da altri rifiuti e riciclato nell'ottica dell'incentivazione di cicli economici sostenibili.

I clienti privati possono richiedere informazioni sulle possibilità di smaltimento ecosostenibile al rivenditore presso il quale è stato acquistato il prodotto o presso le autorità regionali competenti.

I clienti aziendali devono invece contattare il proprio fornitore e controllare le eventuali condizioni contrattuali inerenti allo smaltimento degli apparecchi. Questo prodotto non deve essere smaltito assieme ad altri rifiuti industriali.

PROTEZIONE DELL'AMBIENTE E RISPARMIO ENERGETICO

Il risparmio energetico contribuisce attivamente alla protezione ambientale. Spegnerne tutti i dispositivi elettrici non utilizzati. Staccare la spina dei dispositivi non utilizzati per evitare che consumino corrente in modalità stand-by.

Adam Hall GmbH, tutti i diritti riservati. I dati tecnici e le caratteristiche del prodotto possono essere soggetti a modifiche. È vietata la copia, la traduzione e qualsiasi altra riproduzione delle presenti istruzioni d'uso o di parte di esse senza previa autorizzazione.

ENGLISH

DEUTSCH

FRANCAIS

ESPAÑOL

POLSKI

ITALIANO





WWW.LD-SYSTEMS.COM

Adam Hall GmbH | Daimlerstrasse 9 | 61267 Neu-Anspach | Germany
Tel. +49(0)6081/9419-0 | Fax +49(0)6081/9419-1000
web : www.adamhall.com | e-mail : mail@adamhall.com

