

USER'S MANUAL
BEDIENUNGSANLEITUNG
MANUEL D'UTILISATION
MANUAL DE USUARIO
INSTRUKCJA OBSŁUGI
MANUALE D' USO



ALL IN ONE ARRAY SYSTEM
WITH 3-CHANNEL MIXER
LDMAUI11MIX(W)



ENGLISH

DEUTSCH

FRANCAIS

ESPAÑOL

POLSKI

ITALIANO

You've made the right choice!

We have designed this product to operate reliably over many years. LD Systems stands for this with its name and many years of experience as a manufacturer of high-quality audio products.

Please read this User's Manual carefully, so that you can begin making optimum use of your LD Systems product quickly.

You can find more information about LD SYSTEMS at our Internet site WWW.LD-SYSTEMS.COM

Introduction

The LD Systems MAUI11MIX Column PA System has been designed for professional use. The PA system offers high-quality components, a DSP-controlled amplifier with 3-way crossover and a balanced sound across the entire frequency range.

The digital signal processing of the LD LECC DSP includes features such as crossover, equalizer, compressor and limiter, and is specifically designed to support the Maui11MIX PA system, in order to provide an optimal audio performance at any time. Designed as a "plug and play" system, it requires no additional cables or stands and can therefore be quickly and easily assembled and disassembled.

LD MAUI11MIX(W)

COMPACT COLUMN ACTIVE PA SYSTEM
WITH INTEGRATED 3 CHANNEL MIXER



ENGLISH

DEUTSCH

FRANCAIS

ESPAÑOL

POLSKI

ITALIANO



PREVENTIVE MEASURES:

1. Please read these instructions carefully.
2. Keep all information and instructions in a safe place.
3. Follow the instructions.
4. Observe all safety warnings. Never remove safety warnings or other information from the equipment.
5. Use the equipment only in the intended manner and for the intended purpose.
6. Use only sufficiently stable and compatible stands and/or mounts (for fixed installations). Make certain that wall mounts are properly installed and secured. Make certain that the equipment is installed securely and cannot fall down.
7. During installation, observe the applicable safety regulations for your country.
8. Never install and operate the equipment near radiators, heat registers, ovens or other sources of heat. Make certain that the equipment is always installed so that is cooled sufficiently and cannot overheat. Avoid direct sunlight!
9. Never place sources of ignition, e.g., burning candles, on the equipment.
10. Ventilation slits must not be blocked.
11. Do not use this equipment in the immediate vicinity of water (does not apply to special outdoor equipment - in this case, observe the special instructions noted below. Do not expose this equipment to flammable materials, fluids or gases.
12. Make certain that dripping or splashed water cannot enter the equipment. Do not place containers filled with liquids, such as vases or drinking vessels, on the equipment.
13. Make certain that objects cannot fall into the device.
14. Use this equipment only with the accessories recommended and intended by the manufacturer.
15. Do not open or modify this equipment.
16. After connecting the equipment, check all cables in order to prevent damage or accidents, e.g., due to tripping hazards.
17. During transport, make certain that the equipment cannot fall down and possibly cause property damage and personal injuries.
18. If your equipment is no longer functioning properly, if fluids or objects have gotten inside the equipment or if it has been damaged in another way, switch it off immediately and unplug it from the mains outlet (if it is a powered device). This equipment may only be repaired by authorized, qualified personnel.
19. Clean the equipment using a dry cloth.
20. Comply with all applicable disposal laws in your country. During disposal of packaging, please separate plastic and paper/cardboard.
21. Plastic bags must be kept out of reach of children.

FOR EQUIPMENT THAT CONNECTS TO THE POWER MAINS:

22. CAUTION: If the power cord of the device is equipped with an earthing contact, then it must be connected to an outlet with a protective ground. Never deactivate the protective ground of a power cord.
23. If the equipment has been exposed to strong fluctuations in temperature (for example, after transport), do not switch it on immediately. Moisture and condensation could damage the equipment. Do not switch on the equipment until it has reached room temperature.
24. Before connecting the equipment to the power outlet, first verify that the mains voltage and frequency match the values specified on the equipment. If the equipment has a voltage selection switch, connect the equipment to the power outlet only if the equipment values and the mains power values match. If the included power cord or power adapter does not fit in your wall outlet, contact your electrician.
25. Do not step on the power cord. Make certain that the power cable does not become kinked, especially at the mains outlet and/or power adapter and the equipment connector.
26. When connecting the equipment, make certain that the power cord or power adapter is always freely accessible. Always disconnect the equipment from the power supply if the equipment is not in use or if you want

SAFETY:

ENGLISH

DEUTSCH

FRANCAIS

ESPAÑOL

POLSKI

ITALIANO

to clean the equipment. Always unplug the power cord and power adapter from the power outlet at the plug or adapter and not by pulling on the cord. Never touch the power cord and power adapter with wet hands.

27. Whenever possible, avoid switching the equipment on and off in quick succession because otherwise this can shorten the useful life of the equipment.

28. **IMPORTANT INFORMATION:** Replace fuses only with fuses of the same type and rating. If a fuse blows repeatedly, please contact an authorised service centre.

29. To disconnect the equipment from the power mains completely, unplug the power cord or power adapter from the power outlet.

30. If your device is equipped with a Volex power connector, the mating Volex equipment connector must be unlocked before it can be removed. However, this also means that the equipment can slide and fall down if the power cable is pulled, which can lead to personal injuries and/or other damage. For this reason, always be careful when laying cables.

31. Unplug the power cord and power adapter from the power outlet if there is a risk of a lightning strike or before extended periods of disuse.



CAUTION:

Never remove the cover, because otherwise there may be a risk of electric shock. There are no user serviceable parts inside. Have repairs carried out only by qualified service personnel.



The lightning flash with arrowhead symbol within an equilateral triangle is intended to alert the user to the presence of uninsulated “dangerous voltage” within the product’s enclosure that may be of sufficient magnitude to constitute a risk of electrical shock.



The exclamation mark within an equilateral triangle is intended to alert the user to the presence of important operating and maintenance instructions.

CAUTION – HIGH VOLUME LEVELS WITH AUDIO PRODUCTS!

This equipment is intended for professional use. Therefore, commercial use of this equipment is subject to the respectively applicable national accident prevention rules and regulations. As a manufacturer, Adam Hall is obligated to notify you formally about the existence of potential health risks.

Hearing damage due to high volume and prolonged exposure: When in use, this product is capable of producing high sound-pressure levels (SPL) that can lead to irreversible hearing damage in performers, employees, and audience members. For this reason, avoid prolonged exposure to volumes in excess of 90 dB.



To prevent possible hearing damage, avoid listening at high volume levels over long periods of time. Even exposure to short bursts of loud noise can result in hearing loss. Please keep the volume constantly at a comfortable level.



SETUP, CONNECTION AND **STARTUP**:

ENGLISH

DEUTSCH

FRANCAIS

ESPAÑOL

POLSKI

ITALIANO

GENERAL INSTRUCTIONS

Before startup, the subwoofer of the LD Systems MAUI11 MIX PA system must be placed upright on its rubber feet, on a flat surface. Never operate your system on a trolley, as there is a risk that the entire system might be unstable. Accidents and damage may result. The cooling of the power amplifier is via the vents in the connector panel on the back of the subwoofer. To ensure adequate cooling, during operation a minimum distance of 50 cm must be maintained between the back of the subwoofer and other objects such as walls for example.

Please ensure the correct connection of audio and power connections for the system and all connected devices such as mixers, CD players, etc. Use only undamaged cables of suitable diameter and always unwind cable reels completely. If necessary, use cable bridges to avoid tripping over loose cables. Never place the device directly on an edge. Do not place the subwoofer on a table. To avoid unwanted background noise when turning on connected devices, always turn on the system last and turn it off first.

SETUP

The LD Systems MAUI11 MIX PA system consists of two components:

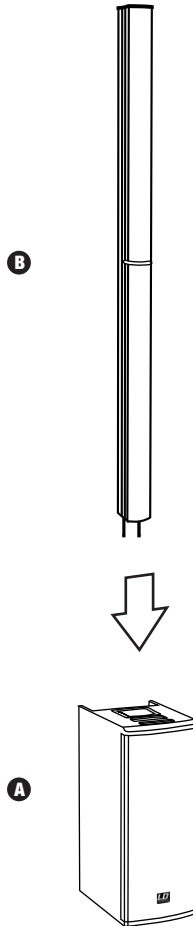
- A. a subwoofer with integrated electronics for both system components.
- B. an array column with eight 3" speakers, a tweeter and multi-pole connections in the column foot.

After the subwoofer is placed in the desired position, the array column is attached to the subwoofer. Two sturdy steel pins provide for optimal alignment of the multi-pin connectors on the two components.

CONNECTION AND OPERATION

The device allows both the volume of the entire system and the volume of the subwoofer in relation to the total volume to be adjusted separately. Source devices can be connected using both balanced and unbalanced cables (XLR / 6.3 mm jack / RCA). The integrated 3-channel mixer offers a microphone input, a high-impedance instrument input for an electric guitar for example, and inputs for source devices with line level.

SETUP, CONNECTION AND **STARTUP**:



ENGLISH

DEUTSCH

FRANCAIS

ESPAÑOL

POLSKI

ITALIANO

CONNECTIONS, CONTROLS, AND INDICATORS:

ENGLISH

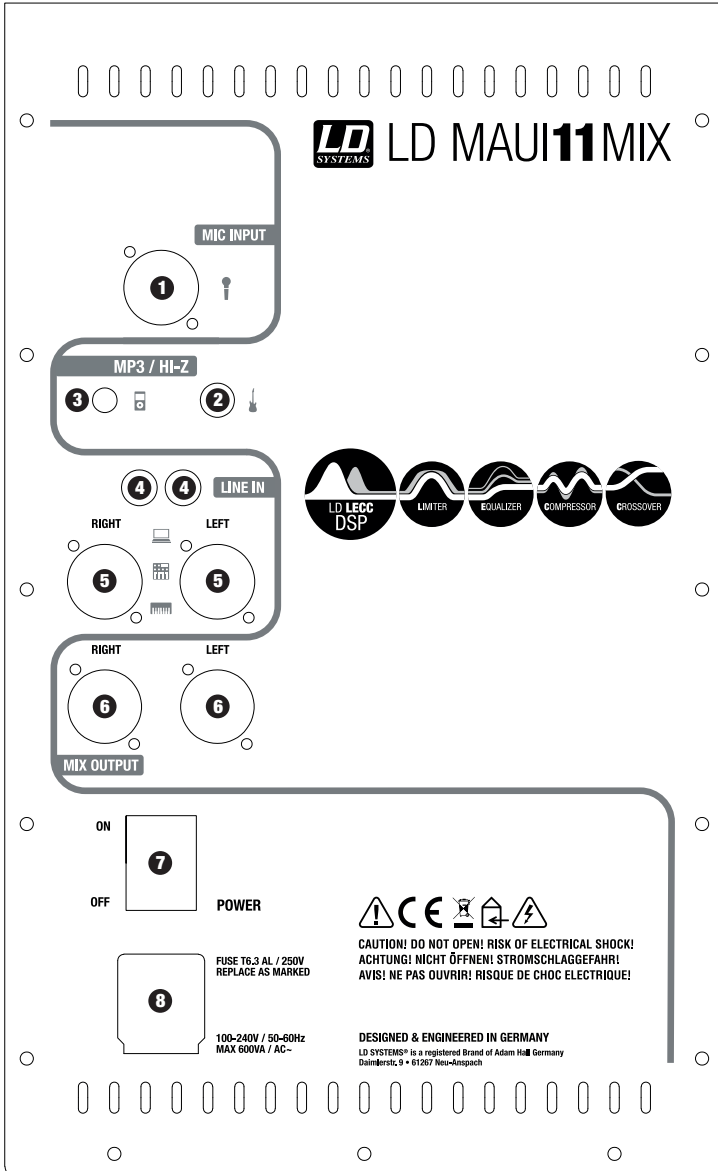
DEUTSCH

FRANCAIS

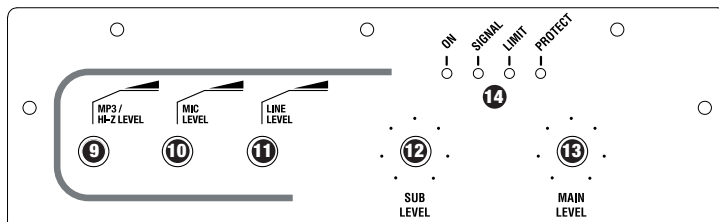
ESPAÑOL

POLSKI

ITALIANO



CONNECTIONS, CONTROLS, AND INDICATORS:



1 MIC INPUT

Balanced microphone input (XLR/ 6.3 mm jack combo) It is also possible to use an unbalanced microphone cable (mono jack). The microphone input has a built-in 100 Hz subsonic filter to suppress low-frequency noise. NOTE: There is no phantom power on the microphone input.

2 HI-Z INPUT

Mono input with 6.3 mm jack socket for acoustic or electric guitar. Both inputs HI-Z and MP3 can be used simultaneously; the volume ratio must be set on the instrument, or on the player.

3 MP3 INPUT

Stereo line input with 3.5 mm jack socket for an MP3 player or other playback device. The audio signal is fed from the MIX OUTPUT LEFT / RIGHT in stereo, and is mono summed internally. Both inputs HI-Z and MP3 can be used simultaneously; the volume ratio must be set on the instrument, or on the player.

4 LINE INPUT LEFT / RIGHT (RCA)

Unbalanced line input with RCA socket (left / right) for connecting an external audio source (e.g., laptop, CD player). The audio signal is fed from the MIX OUTPUT LEFT / RIGHT in stereo, and is mono summed internally.

5 LINE INPUT LEFT / RIGHT (XLR)

Balanced line input (XLR / 6.3 mm TRS combo, left / right) for connecting an external audio source (e.g., mixer, keyboard). The audio signal is fed from the MIX OUTPUT LEFT / RIGHT in stereo, and is mono summed internally.

6 MIX OUTPUT LEFT / RIGHT

This balanced stereo XLR output is independent of the main level and provides the mix signal from the microphone, HI-Z / MP3, and line input signals.

7 POWER

Illuminated On / Off switch for the power supply of the device. Before switching the active speaker on or off, always adjust the volume to zero (MAIN LEVEL all the way to the left).



CONNECTIONS, CONTROLS, AND INDICATORS:

8 POWER SOCKET

IEC power socket (Volet) with built-in fuse holder. An appropriate power cord is included in the delivery. To unlock the device plug, press down on the yellow button on the plug.

IMPORTANT INFORMATION: Replace the fuse only with a fuse of the same type and rating. If the fuse blows repeatedly, please contact an authorised service centre.

9 MP3 / HI-Z LEVEL

Volume control for the MP3 / HI-Z channel. Both inputs HI-Z INPUT and MP3 INPUT can be used simultaneously. The volume ratio is set on the playback devices.

10 MIC LEVEL

Volume control for the microphone channel.

11 LINE LEVEL

Volume control for the line channel.

12 SUB LEVEL

Adjusting the volume ratio of the subwoofer to the column loudspeaker.

13 MAIN LEVEL

Overall volume adjustment. The subwoofer volume is also adjusted in accordance with the preset level on the SUB LEVEL controller.

14 INDICATOR LEDS

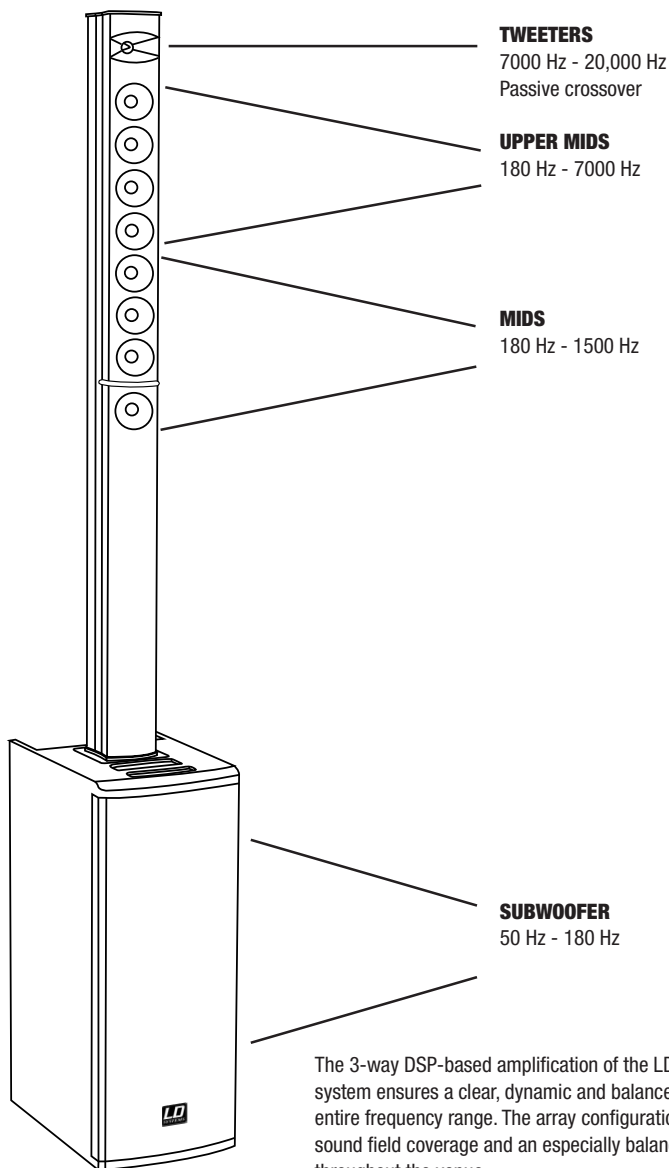
ON: Lights up once the system is properly connected to the power mains and switched on.

SIGNAL: Lights up as soon as an audio signal is present. The signal acquisition is performed before the MAIN LEVEL controller.

LIMIT: Lights up if the loudspeaker system is operating in the clipping range. A short flash of the LED is not critical. To protect the system, an excessive signal level is gently turned down by the built-in limiter. If the Limiter LED lights up permanently or for longer periods, reduce the volume level. Failure to do so may result in a distorted sound and damage to the speaker system.

PROTECT: Lights up if the system is overloaded/overheated. The amplifiers are muted automatically. After reaching normal operating conditions, the device reverts to normal operating mode, after a few minutes.

FREQUENCY ALLOCATION:



The 3-way DSP-based amplification of the LD MAUI11MIX speaker system ensures a clear, dynamic and balanced sound across the entire frequency coverage range. The array configuration ensures improved sound field coverage and an especially balanced dispersion pattern throughout the venue.

ENGLISH

DEUTSCH

FRANCAIS

ESPAÑOL

POLSKI

ITALIANO

DSP BLOCKDIAGRAM:

ENGLISH

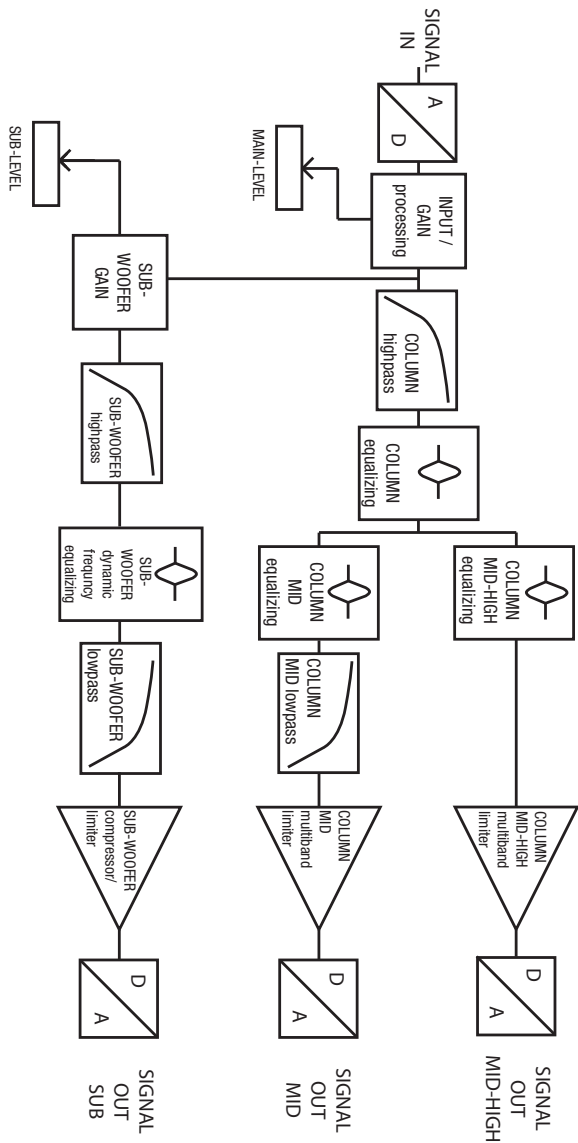
DEUTSCH

FRANCAIS

ESPAÑOL

POLSKI

ITALIANO



WHAT DOES LD SYSTEMS LECC DSP STAND FOR?

DSP stands for Digital Signal Processing (Digital Signal Processing), LECC for limiter, EQ, Compressor and Crossover. The digital signal processing ensures maximum audio performance with maximum clarity and protects the PA system from overload.

WHAT EXACTLY DOES THE LECC DSP DO?

The **Limiter function** protects the speakers and prevents distortions caused by overload. Separate limiters for the bass, midrange and high range attenuate the signal when the level exceeds a value which could have a negative effect. Each limiter is optimised for one of the three seamlessly contiguous frequency ranges (multi-band limiter). The system can be operated in this manner with a higher overall sound pressure as extreme peaks are automatically lowered, so that the total volume does not need to be reduced.

The **Multiband EQ** works over the entire frequency range and optimises the overall sound of the system.

The **Compressor** is switched on automatically to raise the bass response and create a punchier sound. When the volume is increased, the bass boost is automatically reduced. The automatically controlled bass blends perfectly into the overall sound.

The **Crossovers** divide the audio signal according to the frequency range of the respective speakers, namely the subwoofer or the mids and tweeters of the array column. The amplitude and running-time optimisation of the crossover ensures that all frequencies are output evenly and reach the listener at the same time.

SPECIFICATIONS:

Model Name:	LDMAUI11MIX(W)
Product Type:	Complete PA System
Type:	active
Colour:	black (LDMAUI11MIX) white (LDMAUI11MIXW)
Max. SPL (continuous):	114 dB
Max. SPL (peak):	122 dB
Frequency Response:	50 Hz - 20,000 Hz
Dispersion Angle (H x V):	120° (average, horizontal)
Total Height:	1950 mm
Total Weight:	23.6 kg
Features:	LECC DSP, stable steel pins for a reliable connection between the subwoofer and the column elements
Subwoofer	
Woofers Size:	2 x 6.5"
Woofers Size:	2 x 165.1 mm
Woofers Magnet:	ferrite
Woofers Brand:	custom made
Cabinet Type:	bass-reflex, V-design
Housing Material:	15 mm plywood
Cabinet Surface:	PA-paint
Subwoofer dimensions (W x H x D):	256 x 650 x 355 mm
Subwoofer weight:	17 kg
Subwoofer features:	ergonomic milled handles, custom made multi-pin connector for vertical array

SPECIFICATIONS:

ENGLISH

DEUTSCH

FRANCAIS

ESPAÑOL

POLSKI

ITALIANO

Mid/Hi System	
Midrange Size:	8 x 3"
Midrange Size:	8 x 76 mm
Midrange Magnet:	neodymium
Midrange Brand:	custom made
Tweeter Size:	1"
Tweeter Size:	25 mm
Tweeter Magnet:	neodymium
Tweeter Brand:	custom made
Speaker Inputs:	1
Speaker Input Connections:	custom made multi-pin connectors
Mid/Hi System Cabinet Type:	closed
Mid/Hi System Cabinet Material:	aluminium
Mid/Hi System Cabinet Surface:	powder coated
Mid/Hi System Dimensions (W x H x D):	94 x 1300 x 95 mm
Mid/Hi System Weight:	6.6 kg
Mid/Hi System Features:	Vertical array with 2-way amping and extremely broad dispersion characteristic

SPECIFICATIONS:

Amplifier module	
Amplifier:	3-way class D
Amplifier Power System (RMS)	300 W
Amplifier Power System (peak):	1200 W
Protection:	multiband limiter, over voltage, short circuit, overcurrent
Cooling System:	passive
Controls:	Main Level, Sub Level, Mic Level, Line Level, MP3 / Hi-Z Level, ON / OFF
Indicators:	LEDs for: On, Signal, Limit, Protect
Power Socket:	IEC power socket
Power Supply:	switching power supply
Operating Voltage:	100 V AC - 120 V AC, 50 - 60 Hz 200 V AC - 240 V AC, 50 - 60 Hz (Automatic switchover)
Power Consumption (max.):	600 VA
Stereo Line Inputs:	2
Line Input Connectors:	XLR/ 6.3 mm jack combo, RCA
Microphone Inputs:	1
Microphone Input Connectors:	XLR/ 6.3 mm jack combo
Hi-Z Inputs:	1
Hi-Z Input Connectors:	6.3 mm jack
MP3 Player Inputs:	1
MP3 Player Input Connectors:	3.5 mm stereo jack
Stereo Line Outputs:	1
Line Output Connectors:	2 x XLR male
Speaker Outputs:	1
Speaker Output Connections:	custom made multi-pin

SPECIFICATIONS:

ENGLISH

DEUTSCH

FRANCAIS

ESPAÑOL

POLSKI

ITALIANO

Amplifier module	
DSP Functions:	Limiter, EQ, Compressor, Crossover
Resolution A/D - D/A:	24 bit - 24 bit
Sampling Rate:	48 kHz
Noise Ratio:	100 dB



MANUFACTURER'S DECLARATIONS:

MANUFACTURER'S WARRANTY

This warranty extends to the LD SYSTEMS branded product you purchased from Adam Hall. The statutory warranty rights against the vendor shall not be affected by this warranty. Rather, this warranty gives you additional independent claims against Adam Hall.

With this warranty, Adam Hall ensures that products you have purchased from Adam Hall or Adam Hall partners, under normal use, are free of defects in material or workmanship for a period of 2 years from the date of purchase. The warranty period begins on the date of purchase. In order to assert a claim for warranty service, the proof of date of purchase is provided by the receipt bearing the date of purchase or the date of purchase on the delivery note. You are entitled to warranty service under the conditions and provisions set out in this document, if a repair within the warranty period is required.

This warranty applies only to the original purchaser of the products supplied by Adam Hall and is not transferable to any person to whom the property is transferred by the original purchaser.

Within the warranty period, the defective parts or the product from Adam Hall will be repaired or replaced. Under the terms of this warranty, all the replaced or removed components become the property of Adam Hall.

In the unlikely event that a product acquired from Adam Hall, repeatedly exhibits a defect, Adam Hall may decide, at its discretion, to replace this product with a comparable product of at least the same performance.

Adam Hall does not guarantee that the operation of this product will be uninterrupted or error-free. Adam Hall accepts no responsibility for any damage due to incorrect compliance with the instructions received in the delivery.

This warranty does not extend to:

- wearing parts (eg battery, tubes).
 - devices that have had their serial number removed or damaged, or failed as a result of an accident
 - inappropriate or abusive use or other external causes
 - devices that were not used in accordance with the operating parameters defined in the user documentation shipped with the product
 - devices that have been repaired using parts not made or distributed by Adam Hall
 - devices that have been serviced, modified or repaired by someone other than Adam Hall or an authorised service partner.
- These terms and conditions constitute the complete and exclusive warranty agreement between you and Adam Hall regarding the Adam Hall branded product you have purchased.

This warranty is valid only within Europe. Outside of Europe please contact our official distributors.

ENGLISH

DEUTSCH

FRANCAIS

ESPAÑOL

POLSKI

ITALIANO

MANUFACTURER'S DECLARATIONS:

ENGLISH

DEUTSCH

FRANCAIS

ESPAÑOL

POLSKI

ITALIANO

LIMITATION OF LIABILITY

If your Adam Hall branded hardware product fails to work as warranted above, your sole and exclusive remedy shall be repair or replacement. Adam Halls' maximum liability under this limited warranty is expressly limited to the lesser of the price you have paid for the product or the cost of repair or replacement of any components that malfunction under conditions of normal use.

Adam Hall is not liable for any damages caused by the product or the failure of the product, including any lost profits or savings or special, incidental, or consequential damages. Adam Hall is not liable for any claim made by a third party or made by you for a third party.

This limitation of liability applies whether damages are sought, or claims are made, under this Limited Warranty or as a tort claim (including negligence and strict product liability), a contract claim, or any other claim, and cannot be rescinded or changed by anyone. This limitation of liability will be effective even if you have advised Adam Hall or an authorized representative of Adam Hall of the possibility of any such damages, but not, however, in the event of claims for damages in connection with personal injuries.

This manufacturer's warranty grants you specific rights; depending on jurisdiction (nation or state), you may be entitled to additional claims. You are advised to consult applicable state or national laws for a full determination of your rights.

REQUESTING WARRANTY SERVICE

To request warranty service for the product, contact Adam Hall or the Adam Hall authorized reseller from which you purchased the product.

EC DECLARATION OF CONFORMITY

The equipment marketed by Adam Hall complies (where applicable) with the essential requirements and other relevant specifications of Directives 1999/5/EC (R&TTE), 2004/108/EC (EMC) and 2006/95/EC (LVD). Additional information can be found at www.adamhall.com.

MANUFACTURER'S DECLARATIONS:

ENGLISH

DEUTSCH

FRANCAIS

ESPAÑOL

POLSKI

ITALIANO

PROPER DISPOSAL OF THIS PRODUCT

(Valid in the European Union and other European countries with waste separation)



This symbol on the product, or the documents accompanying the product, indicates that this appliance may not be treated as household waste. This is to avoid environmental damage or personal injury due to uncontrolled waste disposal. Please dispose of this product separately from other waste and have it recycled to promote sustainable economic activity.

Household users should contact either the retailer where they purchased this product, or their local government office, for details on where and how they can recycle this item in an environmentally friendly manner. Business users should contact their supplier and check the terms and conditions of the purchase contract. This product should not be mixed with other commercial wastes for disposal .

ENVIRONMENTAL PROTECTION AND ENERGY CONSERVATION

Energy conservation is an active contribution to environmental protection. Please turn off all unneeded electrical devices. To prevent unneeded devices from consuming power in standby mode, disconnect the mains plug.

Adam Hall GmbH, all rights reserved. The technical data and the functional product characteristics can be subject to modifications. The photocopying, the translation, and all other forms of copying of fragments or of the integrity of this user's manual is prohibited.

ENGLISH

DEUTSCH

FRANCAIS

ESPAÑOL

POLSKI

ITALIANO

Sie haben die richtige Wahl getroffen!

Dieses Gerät wurde unter hohen Qualitätsanforderungen entwickelt und gefertigt, um viele Jahre einen reibungslosen Betrieb zu gewährleisten. Dafür steht LD Systems mit seinem Namen und der langjährigen Erfahrung als Hersteller hochwertiger Audioprodukte.

Bitte lesen Sie diese Bedienungsanleitung sorgfältig, damit Sie Ihr neues Produkt von LD Systems schnell optimal einsetzen können.

Mehr Informationen zu LD SYSTEMS finden Sie auf unserer Internetseite WWW.LD-SYSTEMS.COM

Einführung

Das LD Systems MAUI11MIX Säulen PA-System wurde für den professionellen Einsatz konzipiert. Das PA-System bietet hochwertige Komponenten, eine DSP-gesteuerte Endstufe mit 3-Wege-Frequenzweiche und einen über das gesamte Frequenzspektrum ausgewogenen Klang.

Die digitale Signalbearbeitung des LD LECC DSP umfasst Funktionen wie Frequenzweiche, Equalizer, Kompressor und Limiter, und ist speziell auf das MAUI11MIX PA-System abgestimmt, um jederzeit eine optimale Audio-Leistung zur Verfügung zu stellen. Das nach dem „Plug-and-Play“-Prinzip konzipierte System kommt ohne zusätzliche Kabel oder Stative aus und lässt sich daher schnell und einfach auf- und abbauen.

LD MAUI11MIX(W)

KOMPAKTES SÄULEN PA SYSTEM AKTIV
MIT INTEGRIERTER 3-KANAL MIXEINHEIT



SICHERHEITSHINWEISE:

1. Lesen Sie diese Anleitung bitte sorgfältig durch.
2. Bewahren Sie alle Informationen und Anleitungen an einem sicheren Ort auf.
3. Befolgen Sie die Anweisungen.
4. Beachten Sie alle Warnhinweise. Entfernen Sie keine Sicherheitshinweise oder andere Informationen vom Gerät.
5. Verwenden Sie das Gerät nur in der vorgesehenen Art und Weise.
6. Verwenden Sie ausschließlich stabile und passende Stative bzw. Befestigungen (bei Festinstallationen). Stellen Sie sicher, dass Wandhalterungen ordnungsgemäß installiert und gesichert sind. Stellen Sie sicher, dass das Gerät sicher installiert ist und nicht herunterfallen kann.
7. Beachten Sie bei der Installation die für Ihr Land geltenden Sicherheitsvorschriften.
8. Installieren und betreiben Sie das Gerät nicht in der Nähe von Heizkörpern, Wärmespeichern, Öfen oder sonstigen Wärmequellen. Sorgen Sie dafür, dass das Gerät immer so installiert ist, dass es ausreichend gekühlt wird und nicht überhitzen kann. Direkte Sonneneinstrahlung vermeiden!
9. Platzieren Sie keine Zündquellen wie z.B. brennende Kerzen auf dem Gerät.
10. Lüftungsschlitze dürfen nicht blockiert werden.
11. Betreiben Sie das Gerät nicht in unmittelbarer Nähe von Wasser. Bringen Sie das Gerät nicht mit brennbaren Materialien, Flüssigkeiten oder Gasen in Berührung.
12. Sorgen Sie dafür, dass kein Tropf- oder Spritzwasser in das Gerät eindringen kann. Stellen Sie keine mit Flüssigkeit gefüllten Behältnisse wie Vasen oder Trinkgefäße auf das Gerät.
13. Sorgen Sie dafür, dass keine Gegenstände in das Gerät fallen können.
14. Betreiben Sie das Gerät nur mit dem vom Hersteller empfohlenen und vorgesehenen Zubehör.
15. Öffnen Sie das Gerät nicht und verändern Sie es nicht.
16. Überprüfen Sie nach dem Anschluss des Geräts alle Kabelwege, um Schäden oder Unfälle, z. B. durch Stolperfallen zu vermeiden.
17. Achten Sie beim Transport darauf, dass das Gerät nicht herunterfallen und dabei möglicherweise Sach- und Personenschäden verursachen kann.
18. Wenn Ihr Gerät nicht mehr ordnungsgemäß funktioniert, Flüssigkeiten oder Gegenstände in das Geräteinnere gelangt sind, oder das Gerät anderweitig beschädigt wurde, schalten Sie es sofort aus und trennen es von der Netzsteckdose (sofern es sich um ein aktives Gerät handelt). Dieses Gerät darf nur von autorisiertem Fachpersonal repariert werden.
19. Verwenden Sie zur Reinigung des Geräts ein trockenes Tuch.
20. Beachten Sie alle in Ihrem Land geltenden Entsorgungsgesetze. Trennen Sie bei der Entsorgung der Verpackung bitte Kunststoff und Papier bzw. Kartonagen voneinander.
21. Kunststoffbeutel müssen außer Reichweite von Kindern aufbewahrt werden.

BEI GERÄTEN MIT NETZANSCHLUSS:

22. **ACHTUNG:** Wenn das Netzkabel des Geräts mit einem Schutzkontakt ausgestattet ist, muss es an einer Steckdose mit Schutzleiter angeschlossen werden. Deaktivieren Sie niemals den Schutzleiter eines Netzkabels.
23. Schalten Sie das Gerät nicht sofort ein, wenn es starken Temperaturschwankungen ausgesetzt war (beispielsweise nach dem Transport). Feuchtigkeit und Kondensat könnten das Gerät beschädigen. Schalten Sie das Gerät erst ein, wenn es Raumtemperatur erreicht hat.
24. Bevor Sie das Gerät an die Steckdose anschließen, prüfen Sie zuerst, ob die Spannung und die Frequenz des Stromnetzes mit den auf dem Gerät angegebenen Werten übereinstimmen. Verfügt das Gerät über einen Spannungswahlschalter, schließen Sie das Gerät nur an die Steckdose an, wenn die Geräterwerte mit den Werten des Stromnetzes übereinstimmen. Wenn das mitgelieferte Netzkabel bzw. der mitgelieferte Netzadapter nicht in Ihre Netzsteckdose passt, wenden Sie sich an Ihren Elektriker.
25. Treten Sie nicht auf das Netzkabel. Sorgen Sie dafür, dass spannungsführende Kabel speziell an der Netz-

SICHERHEITSHINWEISE:

ENGLISH

DEUTSCH

FRANCAIS

ESPAÑOL

POLSKI

ITALIANO

buchse bzw. am Netzadapter und der Gerätebuchse nicht geknickt werden.

26. Achten Sie bei der Verkabelung des Geräts immer darauf, dass das Netzkabel bzw. der Netzadapter stets frei zugänglich ist. Trennen Sie das Gerät stets von der Stromzuführung, wenn das Gerät nicht benutzt wird, oder Sie das Gerät reinigen möchten. Ziehen Sie Netzkabel und Netzadapter immer am Stecker bzw. am Adapter und nicht am Kabel aus der Steckdose. Berühren Sie Netzkabel und Netzadapter niemals mit nassen Händen.

27. Schalten Sie das Gerät möglichst nicht schnell hintereinander ein und aus, da sonst die Lebensdauer des Geräts beeinträchtigt werden könnte.

28. WICHTIGER HINWEIS: Ersetzen Sie Sicherungen ausschließlich durch Sicherungen des gleichen Typs und Wertes. Sollte eine Sicherung wiederholt auslösen, wenden Sie sich bitte an ein autorisiertes Servicezentrum.

29. Um das Gerät vollständig vom Stromnetz zu trennen, entfernen Sie das Netzkabel bzw. den Netzadapter aus der Steckdose.

30. Wenn Ihr Gerät mit einem verriegelbaren Netzanschluss bestückt ist, muss der passende Gerätestecker entsperrt werden, bevor er entfernt werden kann. Das bedeutet aber auch, dass das Gerät durch ein Ziehen am Netzkabel verrutschen und herunterfallen kann, wodurch Personen verletzt werden und/oder andere Schäden auftreten können. Verlegen Sie Ihre Kabel daher immer sorgfältig.

31. Entfernen Sie Netzkabel und Netzadapter aus der Steckdose bei Gefahr eines Blitzschlags oder wenn Sie das Gerät länger nicht verwenden.



ACHTUNG:

Entfernen Sie niemals die Abdeckung, da sonst das Risiko eines elektrischen Schlages besteht. Im Inneren des Geräts befinden sich keine Teile, die vom Bediener repariert oder gewartet werden können. Lassen Sie Reparaturen ausschließlich von qualifiziertem Servicepersonal durchführen.



Das gleichschenkelige Dreieck mit Blitzsymbol warnt vor nichtisolierten, gefährlichen Spannungen im Geräteinneren, die einen elektrischen Schlag verursachen können.



Das gleichschenkelige Dreieck mit Ausrufungszeichen kennzeichnet wichtige Bedienungs- und Warnhinweise.

ACHTUNG HOHE LAUTSTÄRKEN BEI AUDIOPRODUKTEN!

Dieses Gerät ist für den professionellen Einsatz vorgesehen. Der kommerzielle Betrieb dieses Geräts unterliegt den jeweils gültigen nationalen Vorschriften und Richtlinien zur Unfallverhütung. Als Hersteller ist Adam Hall gesetzlich verpflichtet, Sie ausdrücklich auf mögliche Gesundheitsrisiken hinzuweisen.

Gehörschäden durch hohe Lautstärken und Dauerbelastung: Bei der Verwendung dieses Produkts können hohe Schalldruckpegel (SPL) erzeugt werden, die bei Künstlern, Mitarbeitern und Zuschauern zu irreparablen Gehörschäden führen können.



Um eine mögliche Schädigung des Hörsinns zu verhindern, vermeiden Sie das Hören bei großem Lautstärkepegel über lange Zeiträume.

Lauter Schalleinfluss kann selbst bei kurzer Dauer zu Hörschäden führen. Bitte halten Sie die Lautstärke immer auf einem angenehmen Level.

AUFBAU, ANSCHLUSS UND **INBETRIEBNAHME**:

ENGLISH

DEUTSCH

FRANCAIS

ESPAÑOL

POLSKI

ITALIANO

ALLGEMEINE HINWEISE

Der Subwoofer des LD Systems MAUI11MIX PA-Systems muss vor der Inbetriebnahme senkrecht auf ebener Fläche auf seine Gummifüße gestellt werden. Betreiben Sie das System niemals auf einem Rollwagen, da die Gefahr besteht, dass sich das gesamte System unkontrolliert in Bewegung setzt. Unfälle und Beschädigungen können die Folge sein. Die Kühlung der Endstufe erfolgt über die Lüftungsschlitze im Anschlussfeld auf der Rückseite des Subwoofers. Um eine ausreichende Kühlung zu gewährleisten, muss bei Betrieb zwischen der Rückseite des Subwoofers und anderen Objekten wie Wänden o. ä. ein Mindestabstand von 50 cm eingehalten werden.

Bitte achten Sie bei dem System sowie den angeschlossenen Geräten wie Mischpulten, CD-Playern etc. auf den korrekten Anschluss von Audio und Stromverbindungen. Verwenden Sie ausschließlich unbeschädigte Kabel mit geeignetem Durchmesser und rollen Sie Kabelrollen immer vollständig ab. Verwenden Sie gegebenenfalls Kabelbrücken, um Stolperfallen durch lose Kabel zu vermeiden. Stellen Sie Gerät niemals direkt an einer Kante auf. Positionieren Sie den Subwoofer nicht auf einem Tisch. Um ungewollte Nebengeräusche beim Einschalten angeschlossener Geräte zu vermeiden, schalten Sie das System immer als letztes Gerät ein und als erstes Gerät aus.

AUFBAU

Das LD Systems MAUI11MIX PA-System besteht aus zwei Komponenten:

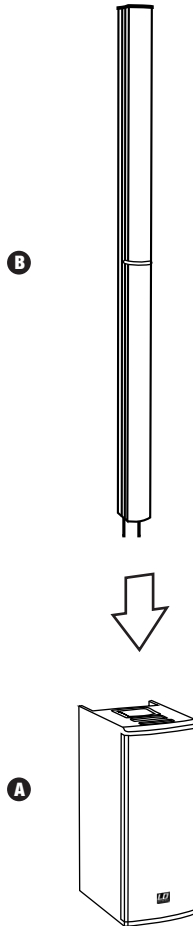
- A. Subwoofer mit integrierter Elektronik für beide Systemkomponenten.
- B. Array-Säule mit acht 3“-Lautsprechern, einem Tweeter und mehrpoligem Anschluss im Säulenfuß.

Nachdem der Subwoofer an der gewünschten Stelle aufgestellt wurde, wird die Array-Säule auf den Subwoofer aufgesteckt. Zwei stabile Stahlstifte sorgen für eine optimale Ausrichtung der mehrpoligen Anschlüsse an den beiden Komponenten.

ANSCHLUSS UND BETRIEB

Am Gerät lässt sich sowohl die Lautstärke des gesamten Systems als auch die Lautstärke des Subwoofers im Verhältnis zur Gesamtlautstärke einstellen. Zuspielderäte lassen sich sowohl über symmetrische als auch unsymmetrische Kabel (XLR / 6,3 mm Klinke / Cinch) anschließen. Das integrierte 3-Kanal Mischpult bietet einen Mikrofoneingang, einen hochohmigen Instrumenteneingang für z.B. eine E-Gitarre und Eingänge für Zuspielderäte mit Line-Pegel.

AUFBAU, ANSCHLUSS UND **INBETRIEBNAHME:**



ENGLISH

DEUTSCH

FRANCAIS

ESPAÑOL

POLSKI

ITALIANO

ANSCHLÜSSE, BEDIEN- UND ANZEIGEELEMENTE:

ENGLISH

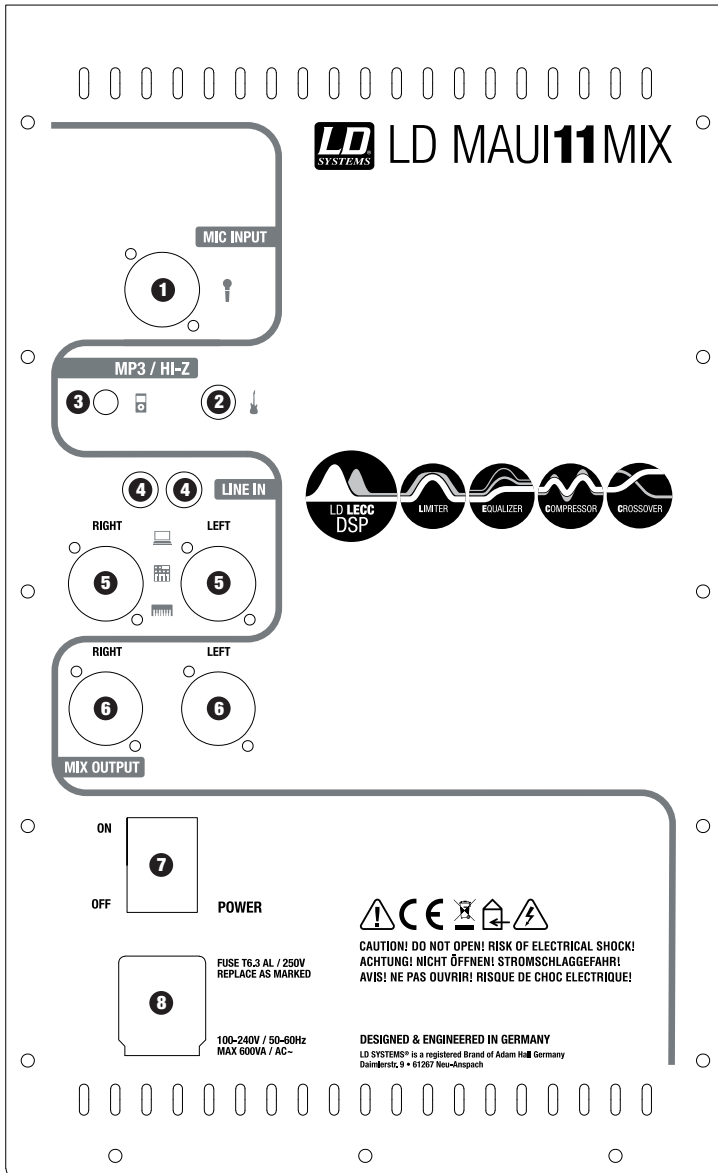
DEUTSCH

FRANCAIS

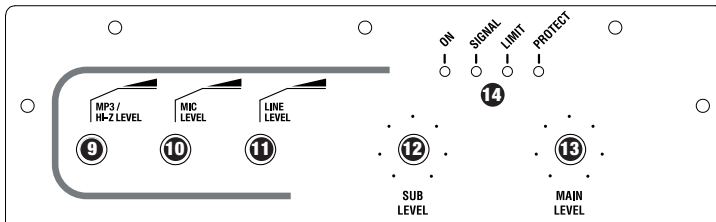
ESPAÑOL

POLSKI

ITALIANO



ANSCHLÜSSE, BEDIEN- UND ANZEIGEELEMENTE:



1 MIC INPUT

Symmetrischer Mikrofoneingang (XLR / 6,3 mm Klinke Combo). Die Nutzung eines unsymmetrischen Mikrofonkabels (Mono-Klinke) ist ebenfalls möglich. Der Mikrofoneingang verfügt über ein eingebautes 100Hz Trittschallfilter um störende tieffrequente Signalanteile zu unterdrücken.

HINWEIS: Am Mikrofoneingang liegt keine Phantomspeisung an.

2 HI-Z INPUT

Mono-Eingang mit 6,3 mm Klinke-Buchse für Akustik- oder E-Gitarre. Die beiden Eingänge HI-Z und MP3 können simultan genutzt werden, das Lautstärkenverhältnis muss am Instrument, bzw. am Zuspieldgerät eingestellt werden.

3 MP3 INPUT

Stereo-Line-Eingang mit 3,5 mm Klinke-Buchse für einen MP3-Player oder ein anderes Zuspieldgerät. Das Audio-Signal wird am MIX OUTPUT LEFT / RIGHT in Stereo ausgegeben, intern Mono summiert. Die beiden Eingänge HI-Z und MP3 können simultan genutzt werden, das Lautstärkenverhältnis muss am Instrument, bzw. am Zuspieldgerät eingestellt werden.

4 LINE INPUT LEFT / RIGHT (CINCH)

Unsymmetrischer Line-Eingang mit Cinch-Buchsen (links / rechts) zum Anschließen eines Zuspieldgeräts (z.B. Laptop, CD-Spieler). Das Audio-Signal wird am MIX OUTPUT LEFT / RIGHT in Stereo ausgegeben, intern Mono summiert.

5 LINE INPUT LEFT / RIGHT (XLR)

Symmetrischer Line-Eingang mit XLR / 6,3 mm Klinke Combo-Buchsen (links / rechts) zum Anschließen eines Zuspieldgeräts (z.B. Mischpult, Keyboard). Das Audio-Signal wird am MIX OUTPUT LEFT / RIGHT in Stereo ausgegeben, intern Mono summiert.

6 MIX OUTPUT LEFT / RIGHT

Dieser symmetrische Stereo-XLR-Ausgang ist unabhängig vom Main Level und stellt das Mix-Signal aus Mikrofon-, HI-Z / MP3- und Line Input-Signalen bereit.

7 POWER

Beleuchteter Ein-/Ausschalter für die Spannungsversorgung des Geräts. Vor dem Ein- und Ausschalten stets die Gesamtlautstärke auf Null drehen (MAIN LEVEL auf Linksanschlag).

ANSCHLÜSSE, **BEDIEN- UND ANZEIGEELEMENTE:**

8 NETZBUCHSE

IEC Netzbuchse (Volex) mit integriertem Sicherungshalter. Ein passendes Netzkabel befindet sich im Lieferumfang. Zum Entriegeln des Gerätesteckers den gelben Knopf am Stecker herunterdrücken.

WICHTIGER HINWEIS: Ersetzen Sie die Sicherung ausschließlich durch eine Sicherung des gleichen Typs und mit gleichen Werten. Sollte die Sicherung wiederholt auslösen, wenden Sie sich bitte an ein autorisiertes Servicezentrum.

9 MP3 / HI-Z LEVEL

Lautstärkeregler für den MP3 / HI-Z Kanal. Die beiden Eingänge HI-Z INPUT und MP3 INPUT sind simultan nutzbar. Das Lautstärkenverhältnis ist an den Zuspielgeräten einzustellen.

10 MIC LEVEL

Lautstärkeregler für den Mikrofonkanal.

11 LINE LEVEL

Lautstärkeregler für den Line-Kanal.

12 SUB LEVEL

Einstellung des Lautstärkeverhältnisses des Subwoofers zum Säulenlautsprecher.

13 MAIN LEVEL

Einstellung der Gesamtlautstärke. Die Subwooferlautstärke wird entsprechend der Voreinstellung am SUB LEVEL Pegelsteller mitgeregelt.

14 ANZEIGE LEDS

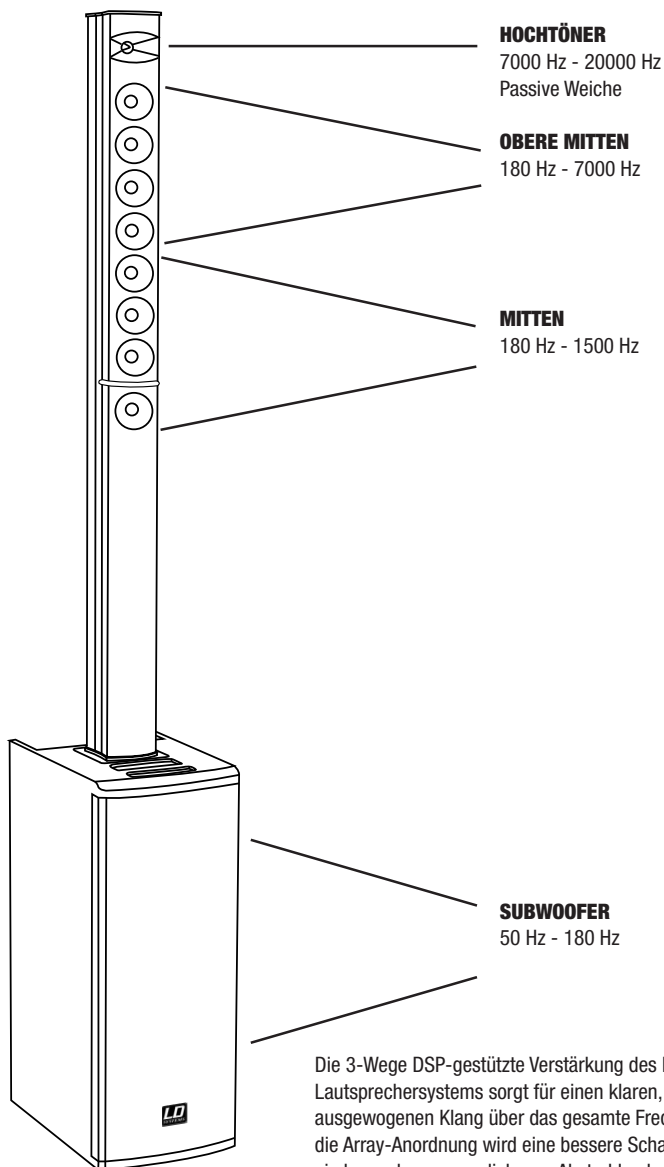
ON: Leuchtet, wenn das Gerät korrekt am Stromnetz angeschlossen und eingeschaltet ist.

SIGNAL: Leuchtet auf, wenn am Gerät ein Audiosignal anliegt. Die Signalerfassung erfolgt vor dem MAIN LEVEL-Regler.

LIMIT: Leuchtet auf, wenn das Lautsprecher-System im oberen Grenzbereich betrieben wird. Ein kurzes Aufleuchten der LED ist dabei unkritisch. Um das System zu schützen, wird ein überhöhter Signal-Pegel vom integrierten Limiter sanft heruntergeregelt. Leuchtet die Limiter-LED länger oder dauerhaft, reduzieren Sie den Lautstärkepegel. Eine Nichtbeachtung kann zu einer verzerrten Klangwiedergabe und zur Beschädigung des Lautsprechersystems führen.

PROTECT: Leuchtet auf, falls das System überlastet/überhitzt. Die Verstärker werden automatisch stummgeschaltet. Nach Erreichen normaler Betriebsbedingungen wechselt das Gerät nach einigen Minuten wieder in den normalen Betriebsmodus.

FREQUENZZUORDNUNG:



Die 3-Wege DSP-gestützte Verstärkung des LD MAUI11MIX Lautsprechersystems sorgt für einen klaren, dynamischen und ausgewogenen Klang über das gesamte Frequenzspektrum. Durch die Array-Anordnung wird eine bessere Schallfeldabdeckung und ein besonders ausgeglichenes Abstrahlverhalten am gesamten Veranstaltungsort gewährleistet.

ENGLISH

DEUTSCH

FRANCAIS

ESPAÑOL

POLSKI

ITALIANO

DSP BLOCKDIAGRAMM:

ENGLISH

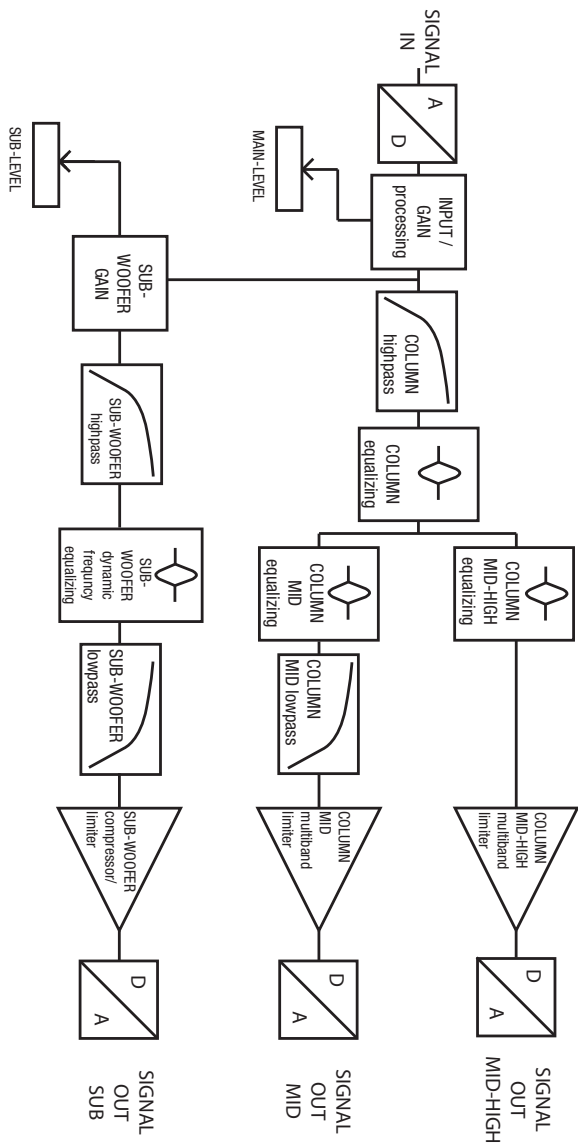
DEUTSCH

FRANCAIS

ESPAÑOL

POLSKI

ITALIANO



WAS BEDEUTET DIE BEZEICHNUNG LD SYSTEMS LECC DSP?

DSP ist die Abkürzung für Digital Signal Processing (Digitale Signalverarbeitung), LECC für Limiter, EQ, Compressor und Crossover (Limiter, EQ, Kompressor und Frequenzweiche). Die digitale Signalverarbeitung gewährleistet eine optimale Audiowiedergabe mit maximaler Klarheit und schützt gleichzeitig das PA-System vor Überlastung.

WAS GENAU BEWIRKT LECC DSP?

Die **Limiter-Funktion** schützt die Lautsprecher und verhindert durch Übersteuerung verursachte Verzerrungen. Separate Limiter für den Bass- Mitten- und Höhenbereich schwächen das Signal ab, sobald der Pegel einen Wert übersteigt, der sich negativ auswirken könnte. Jeder Limiter ist für einen der drei nahtlos aneinander anschließenden Frequenzbereiche optimiert (Multiband-Limiter). Das System lässt sich auf diese Weise mit einem insgesamt höheren Schalldruck betreiben, da extreme Signalspitzen automatisch abgeschwächt werden, sodass die Gesamtlautstärke nicht reduziert werden muss.

Der **Multiband-EQ** bearbeitet den gesamten Frequenzbereich und optimiert den Gesamtklang des Systems.

Der **Kompressor** wird automatisch zugeschaltet, um die Bässe anzuheben und damit einen druckvolleren Sound zu erzeugen. Mit steigender Lautstärke wird der Bass-Boost automatisch reduziert. Die auf diese Weise automatisch ausgeregelten Bässe fügen sich optimal in den Gesamtklang ein.

Die **Frequenzweichen** teilen das Audiosignal je nach Frequenzbereich den jeweiligen Lautsprechern, also dem Subwoofer bzw. den Mittel- und Hochtönern der Array-Säule zu. Die Amplituden- und Laufzeit-Optimierung der Frequenzweichen sorgt dafür, dass alle Frequenzen gleichmäßig ausgegeben werden und den Zuhörer zeitgleich erreichen.

SPEZIFIKATIONEN:

Modellbezeichnung:	LDMAUI11MIX(W)
Produktart:	PA Komplettsystem
Typ:	aktiv
Farbe:	schwarz (LDMAUI11MIX) weiß (LDMAUI11MIXW)"
Max. SPL (continuous):	114 dB
Max. SPL (Peak):	122 dB
Frequenzgang:	50 Hz - 20.000 Hz
Abstrahlwinkel (H x V):	120° (Durchschnitt, horizontal)
Gesamthöhe:	1950 mm
Gesamtgewicht:	23,6 kg
Merkmale:	LECC-DSP, zwei stabile Stahlstifte für eine zuverlässige Verbindung zwischen Subwoofer und Array-Säule
Subwoofer	
Größe Tieftöner:	2 x 6,5"
Größe Tieftöner:	2 x 165,1 mm
Magnet Tieftöner:	Ferrit
Marke Tieftöner:	Custom Made
Gehäusebauart:	V-Konstruktion, Bassreflex
Gehäusematerial:	15 mm Sperrholz
Gehäuseoberfläche:	PA-Lackierung
Abmessungen Subwoofer (B x H x T):	256 x 650 x 355 mm
Gewicht Subwoofer:	17 kg
Features Subwoofer:	ergonomisch gefräster Griff, Custom Made Multipin Steckverbinder für vertikales Array

SPEZIFIKATIONEN:

ENGLISH

DEUTSCH

FRANCAIS

ESPAÑOL

POLSKI

ITALIANO

Mid / Hi System	
Größe Mittentöner:	8 x 3"
Größe Mittentöner:	8 x 76 mm
Magnet Mittentöner:	Neodym
Marke Mittentöner:	Custom Made
Größe Hochtöner:	1"
Größe Hochtöner:	25 mm
Magnet Hochtöner:	Neodym
Marke Hochtöner:	Custom Made
Lautsprechereingänge:	1
Lautsprechereingangsanschlüsse:	Custom Made Multipin Steckverbinder
Gehäusebauart Mid/Hi System:	geschlossen
Gehäusematerial Mid/Hi System:	Aluminium
Gehäuseoberfläche Mid/Hi System:	Pulverbeschichtung
Abmessungen Mid/Hi System (B x H x T):	94 x 1300 x 95 mm
Gewicht Mid/Hi System:	6,6 kg
Features Mid/Hi System:	Vertikales Array mit 2-Wege Amping und extrem breitem Abstrahlverhalten

SPEZIFIKATIONEN:

Verstärkermodul	
Verstärker:	3-Wege Class D
Verstärkerleistung System (RMS):	300 W
Verstärkerleistung System (Peak):	1200 W
Schutzschaltungen:	Multiband Limiter, Überspannung, Kurzschluss
Kühlung:	passiv
Bedienelemente:	Main Level, Sub Level, Mic Level, Line Level, MP3 / Hi-Z Level, ON / OFF
Anzeigeelemente:	LEDs für: On, Signal, Limit, Protect
Netzanschluss:	IEC Netzbuchse
Stromversorgung:	Schaltnetzteil
Betriebsspannung:	100 V AC - 120 V AC, 50 - 60 Hz 200 V AC - 240 V AC, 50 - 60 Hz (Umschaltung automatisch)
Leistungsaufnahme (max.):	600 VA
Stereo-Line-Eingänge:	2
Line-Eingangsanschlüsse:	XLR / 6,3 mm Klinke Combo, Cinch
Mikrofon-Eingänge:	1
Mikrofon-Eingangsanschlüsse:	XLR / 6,3 mm Klinke Combo
Hi-Z Eingänge:	1
Hi-Z Eingangsanschlüsse:	6,3 mm Klinke
MP3-Player Eingänge:	1
MP3-Player Eingangsanschlüsse:	3,5 mm Stereo Klinke
Stereo-Line-Ausgänge:	1
Line-Ausgangsanschlüsse:	2 x XLR male
LautsprecherAusgänge:	1
LautsprecherAusgangsanschlüsse:	Custom Made Multipin

SPEZIFIKATIONEN:

Verstärkermodul	
DSP-Funktionen:	Limitier, EQ, Compressor, Crossover
Auflösung A/D - D/A:	24 bit - 24 bit
Samplingrate:	48 kHz
Rauschabstand:	100 dB

ENGLISH

DEUTSCH

FRANCAIS

ESPAÑOL

POLSKI

ITALIANO

HERSTELLERERKLÄRUNGEN:

ENGLISH

DEUTSCH

FRANCAIS

ESPAÑOL

POLSKI

ITALIANO

GARANTIEBESTIMMUNGEN

Diese Garantie erstreckt sich auf das von Ihnen erworbene Adam Hall Produkt der Marke LDSYSTEMS. Die gesetzlichen Gewährleistungsrechte gegenüber dem Verkäufer werden von dieser Garantie nicht berührt. Vielmehr begründet diese Garantie zusätzliche selbständige Ansprüche gegenüber Adam Hall.

Mit dieser Garantie stellt Adam Hall sicher, dass das von Ihnen bei Adam Hall oder einem Adam Hall Partner erworbene Produkt, bei normalem Gebrauch während des Zeitraums von 2 Jahren ab Kaufdatum frei von Material- oder Verarbeitungsfehlern ist. Der Garantiezeitraum beginnt mit dem Datum des Kaufs. Der Geltendmachung eines Anspruchs auf Garantieleistungen erforderliche Nachweis des Kaufdatums, erfolgt durch die mit dem Kaufdatum versehene Quittung oder den mit dem Kaufdatum versehenen Lieferschein. Sie haben Anspruch auf den Garantieservice zu den in diesem Dokument aufgeführten Bedingungen und Bestimmungen, falls eine Reparatur innerhalb des Garantiezeitraums erforderlich ist.

Diese Garantie gilt nur für den ursprünglichen Käufer des von Adam Hall vertriebenen Produkts und ist nicht an Personen übertragbar, denen vom ursprünglichen Käufer das Eigentum am Adam Hall Produkt übertragen wird. Innerhalb des Garantiezeitraums werden die fehlerhaften Komponenten oder das Produkt von Adam Hall repariert oder ersetzt. Alle im Rahmen dieser Garantie ausgetauschten bzw. entfernten Komponenten gehen in das Eigentum von Adam Hall über.

In dem unwahrscheinlichen Fall, dass bei dem von Ihnen erworbenen Adam Hall Produkt ein Fehler wiederholt auftritt, kann Adam Hall nach eigenem Ermessen entscheiden, Ihnen dieses Produkt durch ein vergleichbares Produkt mit mindestens derselben Leistung zu ersetzen.

Adam Hall übernimmt keine Garantie für einen störungs- oder fehlerfreien Betrieb dieses Produkts. Adam Hall übernimmt keine Verantwortung für Schäden die auf eine inkorrekte Befolgung der im Lieferumfang erhaltenen Anweisungen zurückzuführen sind.

Diese Garantie erstreckt sich nicht auf:

- Verschleißteile (z.B. Akkumulator, Röhren).
- Geräte deren Seriennummer entfernt wurde oder die beschädigt oder fehlerhaft wurden als Folge eines Unfalls
- nicht sachgerechter oder missbräuchlicher Verwendung oder anderer äußerer Ursachen
- Geräte die nicht entsprechend den Betriebsparametern betrieben wurden, die in den im Lieferumfang des Produkts enthaltenen Benutzerunterlagen festgelegt sind
- Geräte die aufgrund der Verwendung nicht von Adam Hall hergestellter oder vertriebener Teile repariert wurden
- Geräte die durch jemand anderen als Adam Hall oder durch einen autorisierten Servicepartner gewartet, geändert oder repariert wurden.

Diese Bestimmungen und Bedingungen stellen die vollständige und ausschließliche Garantievereinbarung zwischen Ihnen und Adam Hall für das von Ihnen erworbene Adam Hall Produkt dar.

Diese Garantie ist nur innerhalb von Europa gültig. Außerhalb von Europa wenden Sie sich bitte an unsere offiziellen Vertriebspartner.

HAFTUNGSBESCHRÄNKUNG

Falls an Hardware-Produkten von Adam Hall innerhalb der Garantiezeit Material- oder Verarbeitungsfehler (gemäß der Garantieerklärung oben) auftreten, besteht Ihr alleiniger und ausschließlicher Anspruch aus dieser Garantie in der Reparatur oder dem Austausch des Geräts. Die maximale Haftung der Firma Adam Hall ist entsprechend dieser Garantie ausdrücklich auf den Kaufpreis oder die Kosten für eine Reparatur oder Ersatz – und zwar den jeweils niedrigeren Betrag – der bei üblichem Gebrauch fehlerhaften Komponenten begrenzt.

Adam Hall ist nicht haftbar für jegliche durch das Produkt oder das Versagen des Produkts verursachte Schäden, einschließlich Gewinneinbußen und unterbliebener Einsparungen sowie besonderer, indirekter oder Folgeschäden. Des Weiteren ist Adam Hall nicht haftbar gegenüber Rechtsansprüchen Dritter oder durch Sie im Namen Dritter angemeldeten Forderungen.

Diese Haftungsbeschränkung gilt unabhängig davon, ob Schäden gerichtlich verfolgt oder Schadensersatzansprüche im Rahmen dieser Garantie oder aufgrund unerlaubter Handlungen (einschließlich Fahrlässigkeit und Gefährdungshaftung) oder aufgrund vertraglicher oder sonstiger Ansprüche gestellt werden, und kann von niemandem aufgehoben oder verändert werden. Diese Haftungsbeschränkung ist auch dann gültig, wenn Sie die Firma Adam Hall oder einen autorisierten Vertreter von Adam Hall auf die Möglichkeit solcher Schäden aufmerksam gemacht haben, nicht jedoch bei Schadensersatzansprüchen in Zusammenhang mit Personenschäden.

Diese Herstellergarantie räumt Ihnen bestimmte Rechte ein; je nach Gerichtsbarkeit (Staat oder Land) stehen Ihnen möglicherweise weitere Ansprüche zu. Es ist ratsam, in solchen Fällen die entsprechenden Gesetze heranzuziehen, um Ihre Rechte umfassend zu ermitteln.

INANSPRUCHNAHME DER GARANTIE

Wenden Sie sich im Garantiefall direkt an Adam Hall oder den von Adam Hall autorisierten Händler, bei dem Sie das Produkt erworben haben.

EG-KONFORMITÄTserklärung

Die von Adam Hall vertriebenen Geräte entsprechen (soweit zutreffend) den grundlegenden Anforderungen und weiteren relevanten Spezifikationen der Richtlinien 1999/5/EC (R&TTE), 2004/108/EC (EMC) und 2006/95/EC (LVD). Weitere Informationen finden Sie unter www.adamhall.com.

HERSTELLERERKLÄRUNGEN:

ENGLISH

DEUTSCH

FRANCAIS

ESPAÑOL

POLSKI

ITALIANO

KORREKTE ENTSORGUNG DIESES PRODUKTES



(Gültig in der Europäischen Union und anderen europäischen Ländern mit Mülltrennung)

Dieses Symbol auf dem Produkt oder dazugehörigen Dokumenten weist darauf hin, dass das Gerät am Ende der Produktlebenszeit nicht zusammen mit dem normalen Hausmüll entsorgt werden darf, um Umwelt- oder Personenschäden durch unkontrollierte Abfallentsorgung zu vermeiden. Bitte entsorgen Sie dieses Produkt getrennt von anderen Abfällen und führen es zur Förderung nachhaltiger Wirtschaftskreisläufe dem Recycling zu.

Als Privatkunde erhalten Sie Informationen zu umweltfreundlichen Entsorgungsmöglichkeiten über den Händler, bei dem das Produkt erworben wurde, oder über die entsprechenden regionalen Behörden.

Als gewerblicher Nutzer kontaktieren Sie bitte Ihren Lieferanten und prüfen die ggf. vertraglich vereinbarten Konditionen zur Entsorgung der Geräte. Dieses Produkt darf nicht zusammen mit anderen gewerblichen Abfällen entsorgt werden.

UMWELTSCHUTZ UND ENERGIESPAREN

Energiesparen ist ein aktiver Beitrag zum Umweltschutz. Schalten Sie bitte alle nicht benötigten elektrischen Geräte aus. Um zu verhindern, dass nicht benötigte Geräte im Standby-Modus Strom verbrauchen, ziehen Sie den Netzstecker.

Adam Hall GmbH, alle Rechte vorbehalten. Die technischen Daten und die funktionalen Produkteigenschaften können Änderungen und Irrtümer vorbehalten. Das Kopieren, die Übersetzung, und alle anderen Formen des Kopierens von Fragmenten oder der Vollständigkeit dieser Bedienungsanleitung ist untersagt.

ENGLISH

DEUTSCH

FRANCAIS

ESPAÑOL

POLSKI

ITALIANO

Sie haben die richtige Wahl getroffen!

Dieses Gerät wurde unter hohen Qualitätsanforderungen entwickelt und gefertigt, um viele Jahre einen reibungslosen Betrieb zu gewährleisten. Dafür steht LD Systems mit seinem Namen und der langjährigen Erfahrung als Hersteller hochwertiger Audioprodukte.

Bitte lesen Sie diese Bedienungsanleitung sorgfältig, damit Sie Ihr neues Produkt von LD Systems schnell optimal einsetzen können.

Mehr Informationen zu LD SYSTEMS finden Sie auf unserer Internetseite WWW.LD-SYSTEMS.COM

Introduction

Le système de sonorisation à colonne LD Systems MAUI11MIX a été conçu pour des applications professionnelles. Il possède des composants haut de gamme, des étages amplificateurs pilotés par DSP avec un filtre actif 3 bandes et un son équilibré sur tout le spectre de fréquences.

Son traitement numérique de signal LECC, exclusivité LD Systems, assure toutes les fonctions audio telles que crossover, égaliseur, compresseur et limiteur ; il est optimisé spécialement pour le MAUI11 MIX, afin d'offrir à tout moment une puissance optimale. Ce système de sonorisation, conçu selon la philosophie "Plug and Play", est livré sans câble ni pied complémentaire ; il n'en a pas besoin, et se monte donc rapidement et facilement.

LD MAUI 11 MIX (W)

SYSTÈME DE SONORISATION ACTIF DE TYPE COLONNE,
MIXEUR 3 CANAUX INTÉGRÉ



ENGLISH

DEUTSCH

FRANCAIS

ESPAÑOL

POLSKI

ITALIANO

MESURES PRÉVENTIVES :

1. Veuillez lire attentivement ce manuel.
2. Rangez tous les documents d'information et d'instructions en lieu sûr.
3. Veuillez suivre toutes les instructions
4. Observez tous les messages d'avertissement N'enlevez pas de l'appareil les étiquettes de sécurité ou autres informations.
5. N'utilisez l'appareil que pour des applications et de la façon appropriées.
6. Utilisez exclusivement des pieds et des dispositifs de fixation stables et adaptés lorsque l'appareil est utilisé en installation fixe. Assurez-vous que les fixations murales ont été montées correctement, et qu'elles sont sécurisées. Vérifiez que l'appareil est installé en toute sécurité, et qu'il ne peut pas tomber.
7. Lors de l'installation, observez les réglementations de sécurité en vigueur dans votre pays.
8. N'installez et n'utilisez pas l'appareil à proximité de radiateurs, d'accumulateurs de chaleur, de fours ou de toute autre source de chaleur. Vérifiez que l'appareil est installé de façon à bénéficier en permanence d'un refroidissement efficace et qu'il ne peut pas chauffer de façon excessive. Éviter toute exposition directe aux rayons du soleil !
9. Ne placez aucune source de flamme sur l'appareil – par exemple, une bougie allumée.
10. Ne bloquez pas les orifices d'aération.
11. N'utilisez pas l'appareil à proximité immédiate d'eau (à moins qu'il ne s'agisse d'un appareil conçu pour une utilisation en extérieur – dans ce cas, respectez les instructions correspondantes ci après) Ne mettez pas l'appareil en contact avec des matériaux, des liquides ou des gaz inflammables.
12. Vérifiez qu'aucune projection ou liquide ne puisse s'introduire dans l'appareil. Ne posez sur l'appareil aucun objet renfermant du liquide : vase, verre d'eau...
13. Vérifiez qu'aucun petit objet ne puisse tomber à l'intérieur de l'appareil.
14. N'utilisez avec cet appareil que des accessoires recommandés et approuvés par le fabricant.
15. N'ouvrez pas l'appareil, et n'essayez pas de le modifier.
16. Lors du branchement de l'appareil, sécurisez le passage du câble secteur, afin d'éviter tout dommage ou accident, par exemple quelqu'un qui trébucher sur le câble.
17. Lors du transport, vérifiez que l'appareil ne peut tomber, ce qui pourrait provoquer des dommages matériels et/ou corporels.
18. Si votre appareil ne fonctionne plus correctement, que de l'eau ou des objets ont pénétré à l'intérieur, ou qu'il a été endommagé de quelque façon que ce soit, éteignez-le immédiatement et débranchez sa prise secteur (s'il s'agit d'un appareil alimenté). Cet appareil ne doit être réparé que par un personnel autorisé.
19. Pour le nettoyage de l'appareil, utilisez un chiffon sec/
20. Observez toutes les réglementations en vigueur dans votre pays pour mettre l'appareil au rebut. Lorsque vous jetez l'emballage de l'appareil, veuillez séparer plastique, papier et carton.
21. Les films plastique doivent être mis hors de portée des enfants.

APPAREILS RELIÉS AU SECTEUR :

22. ATTENTION : Si le câble de l'appareil est muni d'un fil de terre, il doit être relié à une prise murale avec terre. Ne désactivez jamais la mise à la terre d'un appareil.
23. N'allumez pas l'appareil immédiatement s'il a subi une grande différence de température ambiante (par exemple, lors du transport). L'humidité et la condensation pourraient l'endommager. Ne mettez l'appareil sous tension que lorsqu'il est parvenu à la température de la pièce.
24. Avant de relier l'appareil à la prise murale, vérifiez que la valeur et la fréquence de tension secteur sur laquelle il est réglé correspondent bien à la valeur et à la fréquence de la tension secteur locale. Si l'appareil possède un sélecteur de tension, ne le branchez sur la prise murale qu'après avoir vérifié que la valeur réglée correspond à la valeur effective de la tension secteur. Si la fiche du cordon secteur ou du bloc adaptateur livré avec votre appareil ne correspond pas au format de votre prise murale, veuillez consulter un électricien.
25. Ne piétinez pas le câble secteur. Assurez-vous que le câble secteur n'est pas trop pincé, notamment au niveau de l'arrière de l'appareil (ou de son adaptateur secteur) et de la prise murale.

SÉCURITÉ :

ENGLISH

DEUTSCH

FRANCAIS

ESPAÑOL

POLSKI

ITALIANO

26. Lors du branchement de l'appareil, vérifiez que l'accès au câble secteur ou au bloc adaptateur reste facile. Sortez la fiche secteur de la prise murale dès que vous n'utilisez pas l'appareil pendant un certain temps, ou si vous désirez nettoyer l'appareil. Pour ce faire, tirez toujours sur la fiche elle-même, ou sur le bloc secteur lui-même ; ne tirez jamais sur le câble. Ne manipulez jamais le câble secteur ou l'adaptateur secteur avec des mains mouillées.
27. N'éteignez/rallumez pas l'appareil rapidement plusieurs fois de suite : vous risquez de réduire la longévité de ses composants internes.
28. CONSEIL IMPORTANT : Ne remplacez le fusible que par un fusible de même type et du même calibre. Si le fusible fond de façon répétée, veuillez consulter un centre de réparations agréé.
29. Pour séparer complètement l'appareil du secteur, débranchez le cordon secteur ou l'adaptateur de la prise murale.
30. Si votre appareil est muni d'un connecteur secteur verrouillable (Volex), il faut d'abord déverrouiller le mécanisme avant d'enlever le cordon secteur. Attention, lorsque vous retirez le câble secteur, à ne pas faire bouger l'appareil, ce qui pourrait se traduire par un risque de chute, de blesser quelqu'un, ou tout autre dommage. Manipulez toujours le cordon secteur avec soin.
31. Débranchez la fiche secteur ou l'adaptateur de la prise murale en cas d'orage, ou si vous n'utilisez pas l'appareil pendant une longue période.



ATTENTION :

Ne démontez jamais le couvercle de l'appareil, vous risquez de recevoir un choc électrique. L'appareil ne renferme aucune pièce ni composant réparable ou remplaçable par l'utilisateur. Ne confiez sa réparation qu'à un personnel technique qualifié.



Le pictogramme en forme de triangle équilatéral renfermant un éclair signale à l'utilisateur la présence à l'intérieur de l'appareil d'une tension dangereuse non protégée, suffisamment élevée pour présenter un risque pour les personnes.



Le pictogramme en forme de triangle équilatéral renfermant un point d'exclamation signale à l'utilisateur la présence d'instructions importantes concernant l'utilisation ou l'entretien de l'appareil.

ATTENTION NIVEAUX SONORES ÉLEVÉS SUR LES PRODUITS AUDIO

Cet appareil a été conçu en vue d'une utilisation professionnelle. L'utilisation commerciale de cet appareil est soumise aux réglementations et directives en vigueur dans votre pays en matière de prévention d'accident. En tant que fabricant, Adam Hall est tenu de vous avertir formellement des risques relatifs à la santé.

Risques provoqués par une exposition prolongée à des niveaux sonores élevés : Lors de l'utilisation de ce produit, il est possible d'atteindre des niveaux de pression sonore (exprimés en dB SPL) élevés, susceptibles de provoquer des dommages auditifs irréparables chez les artistes, les techniciens et le public. Évitez toute exposition prolongée à des niveaux de pression sonore élevés (supérieurs à 90 dB SPL).



Pour éviter tout risque de traumatisme auditif, évitez d'écouter à fort volume sonore pendant de longues périodes.

Un niveau d'écoute trop élevé, même bref, peut provoquer des dommages aux oreilles. Veuillez maintenir le niveau d'écoute à un niveau raisonnable.

INSTALLATION, CONNEXION ET MISE EN SERVICE :

CONSEILS GÉNÉRAUX

Avant utilisation, le caisson de basses du système de sonorisation MAUI11MIX doit être posé à plat, avec ses pieds caoutchouc, sur une surface plane. Ne montez jamais le système sur un plateau à roulettes : il existe toujours un risque que le système se mette en mouvement de façon incontrôlée. Il peut s'ensuivre des accidents et des dommages divers. Le refroidissement des modules amplificateurs s'effectue par l'intermédiaire des fentes d'aération du panneau de connecteurs, à l'arrière du caisson de basses. Afin de garantir un refroidissement suffisant, il faut laisser, en exploitation, un espace minimal de 50 cm entre le panneau arrière du caisson de basses et autre surface, paroi, etc.

Vérifiez vos branchements secteur et audio, sur le système comme sur les appareils qui lui sont connectés (table de mixage, lecteur de CD, etc.). N'utilisez que des câbles en bon état, d'un diamètre suffisant, et déroulez toujours complètement les câbles enroulés sur touret. Le cas échéant, n'hésitez pas à utiliser des passages de câbles pour éviter tout trébuchement dû à des câbles laissés libres. Ne placez jamais le système de sonorisation en bord de scène ou autre. N'installez jamais le caisson de basses sur une table. Pour éviter l'émission de bruits parasites lors de la mise sous tension/hors tension d'appareils audio connectés, allumez toujours le système de sonorisation en dernier et éteignez-le toujours en premier.

INSTALLATION

Le système de sonorisation LD Systems MAUI11MIX se compose de deux parties :

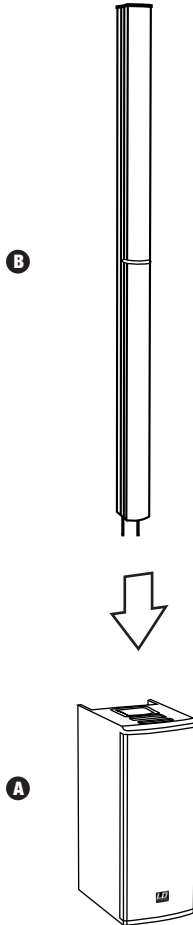
- A. Le caisson de basses, intégrant toute l'électronique nécessaire aux deux composantes du système.
- B. La colonne contenant les huit haut-parleurs de 3" (76 mm), un tweeter et le connecteur multipoints à sa base.

Après avoir placé le caisson de basses à l'endroit désiré, mettez en place la colonne sur le caisson. Deux solides goupilles métalliques assurent un montage respectant la bonne polarité sur les deux parties du système.

BRANCHEMENTS ET UTILISATION

Le système autorise un réglage de volume global d'une part, et le réglage du volume du caisson de basses d'autre part. Il est compatible avec les sources de signal audio disposant de connecteurs symétriques (XLR ou jack 6,35 mm TRS) et asymétriques (jack 6,35 mm ou RCA/cinch) Le mixeur 3 canaux intégré offre une entrée micro, une entrée instrument haute impédance pour, par exemple, une guitare électrique, et des entrées pour lecteurs stéréo au niveau ligne.

INSTALLATION, CONNEXION ET **MISE EN SERVICE** :



ENGLISH

DEUTSCH

FRANCAIS

ESPAÑOL

POLSKI

ITALIANO

CONNECTEURS, CONTRÔLES ET INDICATEURS :

ENGLISH

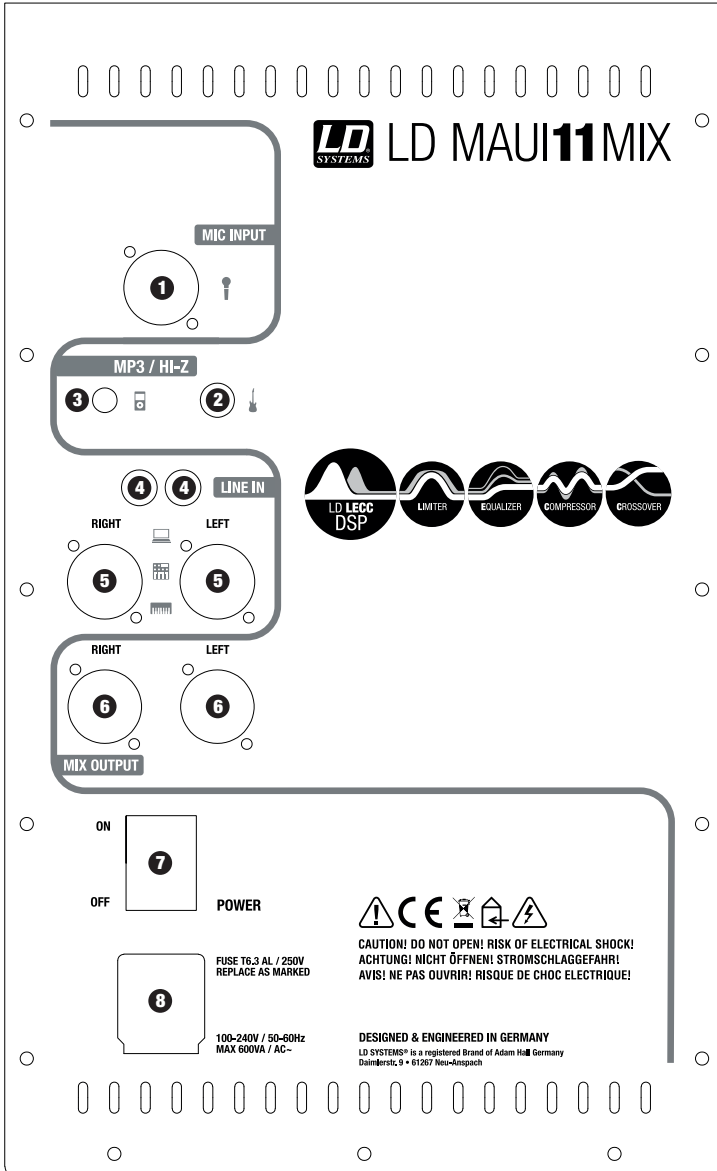
DEUTSCH

FRANCAIS

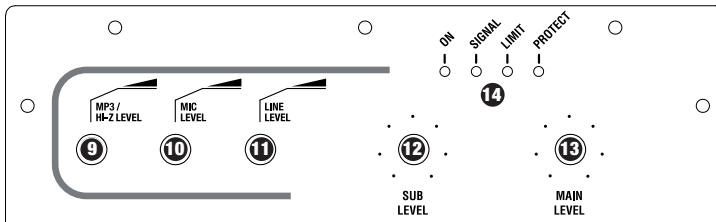
ESPAÑOL

POLSKI

ITALIANO



CONNECTEURS, CONTRÔLES ET INDICATEURS :



1 MIC INPUT

Entrée micro symétrique (connecteur Combo, mixte XLR/jack 6,35 mm) Cette entrée est compatible avec un signal asymétrique (issu d'un microphone possédant un connecteur jack mono). Elle est équipée d'un filtre passe-haut à 100 Hz, permettant d'atténuer les parasites de fréquence grave
PRÉCISION : Cette entrée microphone ne possède pas d'alimentation fantôme.

2 HI-Z INPUT

Entrée mono haute impédance sur jack 6,35 mm, pour guitare acoustique ou électrique. Vous pouvez utiliser simultanément les entrées Hi-Z et MP3 ; dans ce cas, il faut doser l'équilibre des niveaux directement sur l'instrument et le lecteur.

3 MP3 INPUT

Entrée stéréo au niveau ligne sur mini-jack 3,5 mm, pour lecteur MP3 ou autre source de signal stéréo. Ce signal audio se retrouve mixé en stéréo sur la sortie MIX OUTPUT LEFT / RIGHT ; en interne, il est sommé en mono. Vous pouvez utiliser simultanément les entrées Hi-Z et MP3 ; dans ce cas, il faut doser l'équilibre des niveaux directement sur l'instrument et le lecteur.

4 LINE INPUT LEFT / RIGHT (RCA / CINCH)

Entrée asymétrique gauche/droite au niveau ligne sur connecteurs RCA/cinch, pour connexion d'une source de signal stéréo (par exemple, ordinateur portable, lecteur de CD...). Ce signal audio se retrouve mixé en stéréo sur la sortie MIX OUTPUT LEFT / RIGHT ; en interne, il est sommé en mono.

5 MAIN INPUT LEFT / RIGHT (XLR)

Entrée symétrique gauche/droite au niveau ligne sur Combo (mixte XLR/jack 6,35 mm), pour connexion de la source de signal audio exemple, table de mixage ou clavier). Ce signal audio se retrouve mixé en stéréo sur la sortie MIX OUTPUT LEFT / RIGHT ; en interne, il est sommé en mono.

6 MIX OUTPUT (LEFT / RIGHT) SYMÉTRIQUE

Cette sortie stéréo symétrique sur XLR est indépendante du réglage de Main Level ; elle permet de récupérer le mixage de l'entrée micro, de l'entrée Hi Z / MP3 et de l'entrée ligne.

7 POWER

Interrupteur marche/arrêt lumineux. Avant d'allumer ou d'éteindre, réglez toujours le volume à zéro (potentiomètre MAIN LEVEL tourné à fond à gauche).

CONNECTEURS, CONTRÔLES ET INDICATEURS :

8 EMBASE SECTEUR

Embase au format IEC (Volex), avec porte-fusible intégré. Le cordon secteur correspondant est livré avec l'appareil. Pour déverrouiller le connecteur, appuyez sur le bouton jaune.

CONSEIL IMPORTANT : Remplacez exclusivement le fusible par un fusible neuf du même format et du même calibre (valeurs indiquées sur le panneau arrière de l'appareil). Si le fusible fond de façon répétée, veuillez consulter un centre de réparations agréé.

9 MP3 / HI-Z LEVEL

Potentiomètre de réglage de volume pour le canal MP3 / HI-Z. Vous pouvez utiliser simultanément les entrées HI-Z et MP3. Dans ce cas, il faut doser l'équilibre des niveaux directement sur l'instrument et le lecteur.

10 MIC LEVEL

Potentiomètre de réglage de volume de l'entrée micro.

11 LINE LEVEL

Potentiomètre de réglage de volume de l'entrée ligne.

12 SUB LEVEL

Réglage du niveau du caisson de basses par rapport à celui de la colonne.

13 MAIN LEVEL

Réglage du volume général Le niveau du caisson de basses se règle indépendamment, via le potentiomètre SUB LEVEL.

14 INDICATEURS LED

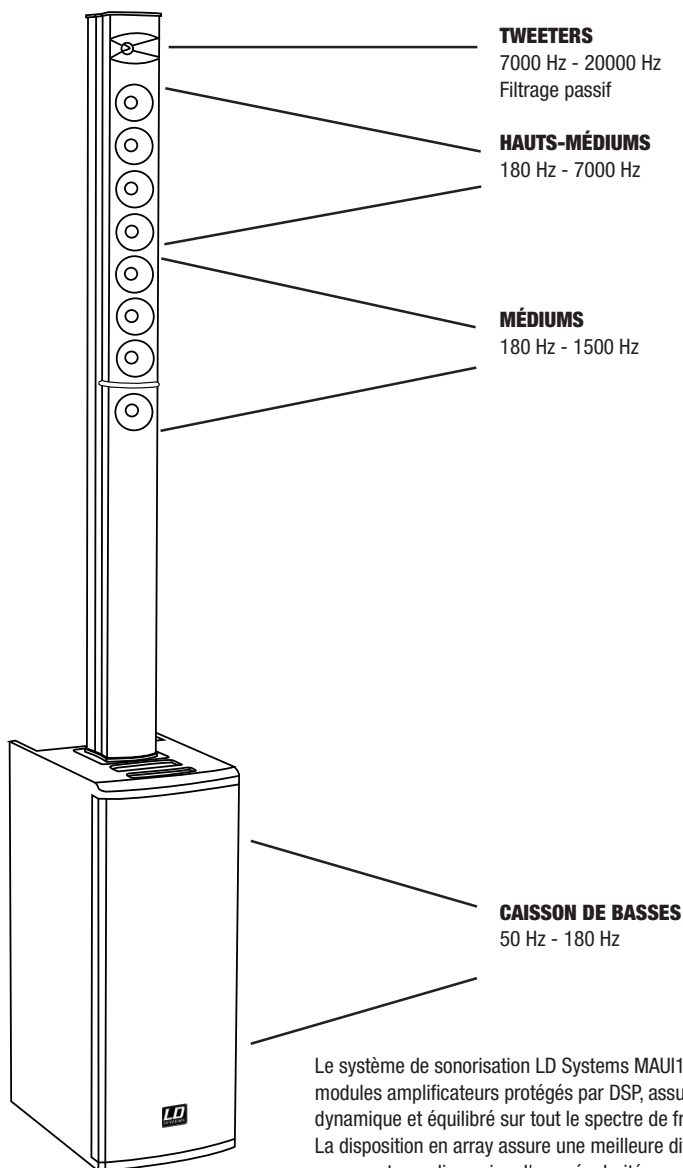
ON : Cet indicateur s'allume lorsque l'appareil est correctement relié au secteur et sous tension.

SIGNAL : S'allume en présence d'un signal audio. Le niveau du signal se règle via le potentiomètre MAIN LEVEL.

LIMIT : S'allume dès que le système de sonorisation arrive à ses limites de fonctionnement. Pas de problème si la LED ne clignote que brièvement. Pour protéger le système de sonorisation, un limiteur intégré évite tout dépassement de niveau, même sur un signal d'entrée très élevé. Si la LED LIMIT s'allume souvent et longuement, voire en permanence, réduisez le niveau d'écoute. Vous risquez sinon de provoquer une distorsion excessive, susceptible d'endommager le système de sonorisation.

PROTECT : S'allume en cas de surcharge ou de surchauffe. Les modules amplificateurs sont alors automatiquement coupés. Lorsque les conditions d'utilisation normales sont rétablies, l'appareil revient à son mode de fonctionnement normal.

ASSIGNATION DES FRÉQUENCES :



ENGLISH

DEUTSCH

FRANCAIS

ESPAÑOL

POLSKI

ITALIANO

SYNOPTIQUE DSP :

ENGLISH

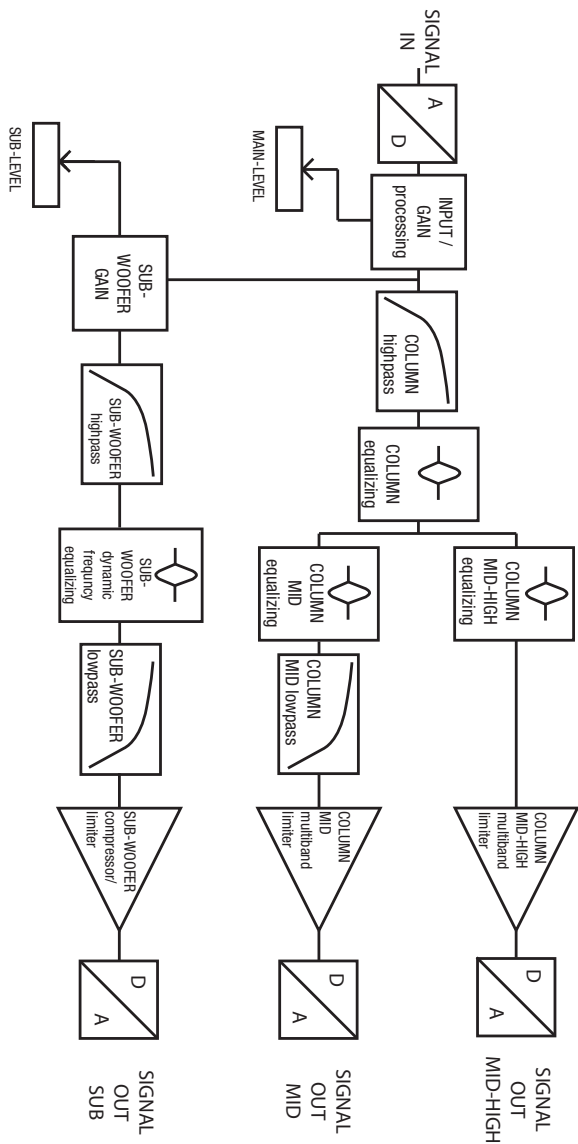
DEUTSCH

FRANCAIS

ESPAÑOL

POLSKI

ITALIANO



QUE SIGNIFIE LE SIGLE "DSP LECC" LD SYSTEMS ?

DSP est l'abréviation de Digital Signal Processing (traitement numérique de signal) ; LECC est l'abréviation de Limiteur, Égaliseur, Compresseur et Crossover. Ce traitement numérique de signal garantit une restitution audio d'une qualité optimale, avec un maximum de clarté, et assure en parallèle la protection du système de sonorisation contre toute surcharge.

À QUOI SERT EXACTEMENT LE DSP LECC ?

La **fonction Limiteur** protège les haut-parleurs et évite toute surcharge ou dommage consécutif à une distorsion excessive. Des limiteurs séparés sont prévus pour les graves, les médiums et les aigus ; ils réduisent le niveau du signal dès que celui-ci dépasse un certain seuil au-delà duquel des dommages sont à craindre. Chaque limiteur est paramétré de façon optimale pour la bande de fréquences traitée (limiteur multibande). Le système de sonorisation peut ainsi être utilisé à des niveaux sonores moyens plus élevés, puisque les crêtes de signal dangereuses sont automatiquement atténuées sans devoir baisser globalement le volume d'écoute.

L'**égaliseur multibande** travaille sur tout le spectre audio, et optimise le son global du système de sonorisation.

Le **compresseur** s'active automatiquement pour relever les graves, et obtenir ainsi un son avec davantage d'assise dans le bas, même à faible niveau sonore. À mesure que le niveau d'écoute augmente, l'accentuation des graves (Bass Boost) est automatiquement réduite. Les graves sont ainsi toujours reproduits à un niveau subjectif optimal.

Le **crossover** (également appelé filtre actif) découpe le signal audio en plusieurs bandes de fréquences pour les différents haut-parleurs : donc, dans le cas du MAUI11MIX, le caisson de basses, les médiums et les aigus. Les filtres actifs agissent sur l'amplitude et la phase des signaux afin d'assurer une restitution simultanée de toutes les fréquences, qui arrivent en même temps aux oreilles des spectateurs.

CARACTÉRISTIQUES :

Référence modèle :	LDMAUI11MIX(W)
Type de produit :	Systèmes Sonorisation complet
Type :	actif
Couleur :	noir (LDMAUI11MIX) blanc (LDMAUI11MIXW)"
Niveau de Pression Sonore Maximal (en continu) :	114 dB SPL
Niveau de Pression Sonore Maximal (crête) :	122 dB SPL
Réponse en Fréquence :	50 Hz - 20000 Hz
Angle de Dispersion :	120° (horizontal)
Hauteur Totale :	1950 mm
Poids total :	23,6 kg
Points forts :	DSP LECC, deux axes acier solides pour mise en place et connexion fiables de la colonne sur le caisson de basses.
Caisson de basses	
Diamètre Boomers :	2 x 6,5"
Diamètre Boomers :	2 x 165,1 mm
Aimant Boomers :	ferrite
Marque Boomers :	fabrication sur cahier de charges
Type de Coffret :	Bass reflex, boomers disposés en V
Matériau Coffret :	contreplaqué épaisseur 15 mm
Finition coffret :	Peinture laque PA
Dimensions caisson de basses (L x H x P) :	256 x 650 x 355 mm
Poids caisson de basses :	17 kg
Divers :	Poignées fraisées de forme ergonomique, connecteur multipoints spécifique pour maintien et alimentation de la colonne/array vertical

CARACTÉRISTIQUES :

ENGLISH

DEUTSCH

FRANCAIS

ESPAÑOL

POLSKI

ITALIANO

Satellites Médium/Aigu	
Diamètre MédiuMs :	8 x 3"
Diamètre MédiuMs :	8 x 76 mm
Aimant MédiuMs :	néodyme
Marque MédiuMs :	fabrication sur cahier de charges
Diamètre Tweeter :	1"
Diamètre Tweeter :	25 mm
Aimant Tweeter :	néodyme
Marque Tweeter :	fabrication sur cahier de charges
Connecteurs haut-parleur :	1
Type Connecteur haut-parleur :	Multipoints format propriétaire
Type Coffret Satellite Médium/Aigu :	clos
Matériau coffret satellite médium/aigu :	aluminium
Finition coffret satellite médium/aigu :	Peinture pulvérisée
Dimensions colonne médium/aigu (L x H x P) :	94 x 1300 x 95 mm
Poids satellite médium/aigu :	6,6 kg
Divers colonne médium/aigu :	Array vertical, amplificateur 2 voies et angle de dispersion horizontale extrêmement large

CARACTÉRISTIQUES :

Amplification intégrée	
Module Amplificateur :	3 voies, Classe D
Puissance Totale Système (efficace) :	300 W
Puissance Totale Système (crête) :	1200 W
Fonctions de Protection :	Limiteur multibande, surcharge, court-circuit
Refroidissement :	passive
Contrôles :	Potentiomètres Main Level, Sub Level, Mic Level, Line Level, MP3 / Hi-Z Level, interrupteur ON / OFF
Indicateurs :	LED pour : On, Signal, Limit, Protect
Embase Secteur :	Format IEC
Alimentation :	à découpage
Tension Secteur :	100 - 120 V, 50 - 60 Hz 200 - 240 V, 50 - 60 Hz (commutation automatique)
Consommation Électrique (maxi) :	600 VA
Nombre d'entrées ligne stéréo :	2
Connecteurs Entrées Ligne :	Combo (XLR/jack 6,35 mm), cinch/RCA
Nombre d'entrées micro :	1
Connecteurs d'entrée micro :	Combo (XLR/jack 6,35 mm)
Nombre d'entrées haute impédance (Hi-Z) :	1
Connecteur entrée Hi-Z :	jack 6,35 mm
Nombre d'entrées lecteur MP3 :	1
Connecteur entrée MP3 :	mini-jack 3,5 mm stéréo
Nombre de sorties ligne stéréo :	1
Connecteurs renvoi ligne :	2 x XLR mâle
Sorties Enceintes :	1
Connecteurs Sorties Enceintes :	Multipoints format propriétaire

CARACTÉRISTIQUES :

Amplification intégrée	
Fonctions DSP :	Limiteur, égaliseur, compresseur, crossover
Résolution convertisseurs A/N-N/A :	24 bits - 24 bits
Fréquence d'échantillonnage :	48 kHz
Rapport S/B :	100 dB

ENGLISH

DEUTSCH

FRANCAIS

ESPAÑOL

POLSKI

ITALIANO

DECLARATIONS DECLARATIONS :

GARANTIE FABRICANT LIMITÉE

Cette garantie s'applique au produit Adam Hall de marque LD SYSTEMS que vous avez acheté. Les droits de garantie légaux à l'égard du vendeur ne sont pas remplacés par cette garantie. Cette garantie confère au contraire des droits supplémentaires distincts à l'égard d'Adam Hall.

Par cette garantie, Adam Hall assure une garantie de 2 ans à partir de la date d'achat du produit (auprès d'Adam Hall ou d'un de ses partenaires) contre tout défaut de pièce ou de fabrication, dans le cadre d'une utilisation normale. La période de garantie court à partir de la date d'achat. Pour faire valoir vos droits à la garantie, il faut justifier de la date d'achat, soit par une facture datée, soit par un bon de livraison daté. Vous êtes éligible aux droits relatifs à cette garantie, selon les termes et conditions mentionnés dans ce document, au cas où une réparation devrait intervenir dans le cadre de la garantie.

Cette garantie n'est valable que pour l'acheteur initial du produit Adam Hall ; elle n'est pas transférable à l'acheteur ultérieur du produit.

Tout au long de la période couverte par la garantie, les composants ou le produit défectueux Adam Hall seront réparés ou remplacés gratuitement. Tous les composants échangés dans le cadre de cette garantie restent la propriété de Adam Hall.

Dans le cas improbable où le produit Adam Hall que vous avez acheté présenterait une défaillance répétée Adam Hall peut décider, de son propre chef, de remplacer ce produit par un autre, identique ou comparable (au moins de la même puissance).

Adam Hall ne garantit pas que l'utilisation de ce produit ne sera sujette à aucune interruption ni défaillance. Adam Hall ne peut être tenu pour responsable de dommages consécutifs à une mauvaise observation des instructions d'utilisation contenues dans le manuel utilisateur.

Cette garantie ne s'applique pas dans les cas suivants :

- pièces d'usure (par exemple, accumulateur, lampe...)
- appareils dont le numéro de série a été supprimé, falsifié ou endommagé suite à un accident
- utilisation non appropriée ou abusive ou autres causes extérieures
- appareils utilisés non conformément aux paramètres d'utilisation normaux, mentionnés dans le manuel d'utilisation livré avec l'appareil.
- appareils utilisés non conformément aux paramètres d'utilisation normaux, mentionnés dans le manuel d'utilisation livré avec l'appareil.
- appareils modifiés ou réparés par un tiers autre qu'Adam Hall ou une structure de maintenance autorisée.

Ces termes et conditions constituent l'accord de garantie complet et exclusif entre vous et Adam Hall, relativement au produit de marque Adam Hall que vous avez acheté.

Cette garantie ne s'applique qu'en Europe. Hors Europe, veuillez vous adresser à notre représentant commercial officiel.

DECLARATIONS DECLARATIONS :

ENGLISH

DEUTSCH

FRANCAIS

ESPAÑOL

POLSKI

ITALIANO

RESPONSABILITÉ LIMITÉE

Si votre appareil de marque Adam Hall présente, pendant la période de garantie, des défaillances au niveau des composants ou de la fabrication, couvertes par les conditions ci avant, le seul recours, exclusif, est sa réparation ou son remplacement au titre de cette garantie. Dans le cadre de cette garantie limitée, la responsabilité financière maximale d'Adam Hall est expressément limitée à la plus faible des deux sommes suivantes : prix d'achat payé pour le produit ou coût de réparation ou de remplacement de tout composant matériel ne fonctionnant pas correctement dans des conditions normales d'utilisation.

Adam Hall ne peut être tenu pour financièrement responsable de tout dommage causé par le produit ou sa défaillance – y compris toute perte de recettes ou de bénéfices, ni de tout dommage spécifique, incidentel ou consécutif. De plus, Adam Hall n'est pas responsable financièrement en cas de requête émanant d'une tierce partie ou de votre part pour le compte d'une tierce partie.

Cette limitation de responsabilité financière s'applique en cas de demande de dommages et intérêts ou de poursuites, dans le cadre de cette garantie limitée ou en cas de procédure (négligence et stricte responsabilité produit), de non-respect du contrat, ou de toute autre procédure. Cette limitation de responsabilité financière ne peut être annulée ou amendée par quiconque. Cette limitation de responsabilité financière s'applique même si vous avez prévenu Adam Hall ou tout représentant autorisé de Adam Hall de la possibilité de tels dommages. Toutefois, cette limitation de responsabilité financière ne s'applique pas en cas de blessures aux personnes.

Cette garantie fabricant limitée vous donne des droits légaux spécifiques. Vous pouvez également avoir d'autres droits, variables d'un état ou d'un pays à l'autre. Nous vous conseillons de vous reporter aux lois applicables dans votre état ou votre pays afin de déterminer l'étendue exacte de vos droits.

DEMANDE DE RÉPARATIONS SOUS GARANTIE

Pour demander des réparations sous garantie pour votre produit, veuillez contacter Adam Hall ou le revendeur agréé Adam Hall auprès de qui vous l'avez acheté.

DÉCLARATION DE CONFORMITÉ CE

Les appareils commercialisés par Adam Hall répondent (à la date actuelle) aux exigences et spécifications applicables des Directives 1999/5/EC (R&TTE), 2004/108/EC (EMC) et 2006/95/EC (LVD). Pour plus d'informations, référez-vous au site www.adamhall.com.

DECLARATIONS DECLARATIONS :

MISE AU REBUT DE CE PRODUIT

(Applicable dans l'Union Européenne et les autres pays européens dotés de systèmes de collecte sélective)



La présence de ce logo sur le produit ou son manuel d'utilisation indique qu'en fin de vie, il ne doit pas être jeté avec les autres déchets domestiques. Afin d'éviter toute atteinte à l'environnement ou à la santé humaine pouvant résulter d'une gestion incontrôlée des déchets, veuillez assurer son recyclage de manière responsable. Séparez-le des autres types de déchets et recyclez-le, afin de promouvoir la réutilisation durable des ressources naturelles.

Nous conseillons aux utilisateurs non professionnels de contacter le revendeur chez qui ils ont acheté le produit, ou un représentant gouvernemental local, pour plus de détails sur le lieu de collecte et la façon de recycler cet appareil dans le meilleur respect de l'environnement possible..

Nous invitons les utilisateurs professionnels à contacter leur fournisseur et à vérifier les termes et conditions de leur contrat d'achat. Ce produit ne doit pas être mélangé à d'autres déchets commerciaux lors de la collecte.

PROTECTION DE L'ENVIRONNEMENT ET ÉCONOMIES D'ÉNERGIE

Économiser l'énergie constitue une contribution active efficace à la protection de l'environnement. Pensez à éteindre tout appareil électrique dès que vous ne vous en servez plus. Pour éviter que les appareils placés en mode de veille (Standby) ne continuent à consommer de l'électricité, débranchez-les de leur prise secteur.

Adam Hall GmbH, tous droits réservés. Les caractéristiques techniques et les fonctions disponibles sur le produit sont sujettes à modifications. La photocopie, la traduction et toute forme de copie, partielle ou intégrale, de ce manuel utilisateur sont interdites.

ENGLISH

DEUTSCH

FRANCAIS

ESPAÑOL

POLSKI

ITALIANO

¡Gracias por elegir LD-Systems!

Este equipo está diseñado y fabricado con los estándares de calidad más exigentes, para garantizar un correcto funcionamiento durante muchos años. Los productos de LD-Systems se caracterizan por su gran calidad, avalada por el prestigio de la marca y una dilatada experiencia como fabricante.

Lea atentamente este manual de usuario para poder aprovechar rápidamente toda la funcionalidad de su nuevo producto de LD Systems.

Si desea obtener información sobre LD-SYSTEMS, visite nuestro sitio web WWW.LD-SYSTEMS.COM

Introducción

El sistema de PA de columna MAUI11MIX de LD Systems está diseñado para el ámbito profesional. Está equipado con componentes de alta calidad, un amplificador controlado por DSP con crossover de 3 vías y un sonido equilibrado en toda la banda de audio.

El procesador digital de señales LD LECC DSP incluye características como crossover, ecualizador, compresor y limitador; además, está especialmente diseñado para que el sistema de PA MAUI11MIX tenga siempre un rendimiento sonoro óptimo. Diseñado bajo el principio de «plug and play», el sistema no necesita ningún cable o soporte adicionales y, por lo tanto, se monta y desmonta de forma rápida y sencilla.

LD MAUI 11 MIX (W)

SISTEMA COMPACTO DE PA ACTIVO DE COLUMNA
CON MEZCLADOR INTEGRADO DE 3 CANALES



ENGLISH

DEUTSCH

FRANCAIS

ESPAÑOL

POLSKI

ITALIANO

MEDIDAS DE SEGURIDAD:

1. Lea atentamente las instrucciones de este manual.
2. Guarde toda la información en un lugar seguro para futuras consultas.
3. Siga las instrucciones indicadas.
4. Siga todas las advertencias. No quite las instrucciones de seguridad ni cualquier otra información indicada en el equipo.
5. Utilice el equipo únicamente según la finalidad prevista.
6. Utilice solo soportes y fijaciones que sean robustos y adecuados cuando instale el equipo en instalaciones fijas. Asegúrese de que los soportes de pared están correctamente instalados y firmemente fijados. Asegúrese de que el equipo está sólidamente instalado y no se puede caer.
7. Al instalar el equipo, respete las normas de seguridad aplicables en su país.
8. Evite instalar el equipo cerca de radiadores, acumuladores de calor, estufas o cualquier otra fuente de calor. Asegúrese de que el equipo esté instalado en un lugar con ventilación suficiente para evitar cualquier sobrecalentamiento.
¡Evite la luz solar directa!
9. No coloque sobre el equipo fuentes de llamas sin protección, por ejemplo, velas encendidas.
10. Evite bloquear las rejillas de ventilación.
11. No utilice este equipo cerca del agua (excepto los equipos específicamente diseñados para uso en exterior, en cuyo caso tenga en cuenta las indicaciones mencionadas a continuación). No exponga este equipo a materiales, líquidos o gases inflamables.
12. Evite exponer el equipo a gotas o salpicaduras que puedan caer dentro del mismo. No coloque recipientes llenos de líquido, como floreros o vasos, sobre el equipo.
13. Asegúrese de no dejar caer ningún objeto dentro del equipo.
14. Emplee el equipo únicamente con los accesorios recomendados por el fabricante.
15. No abra el equipo ni intente modificarlo.
16. Una vez conectado el equipo, compruebe que en toda la longitud del cableado no hay peligro de que provoque una caída, por ejemplo.
17. Durante el transporte, asegúrese de que el equipo no se caiga y pueda causar daños personales o materiales.
18. Si el equipo no funciona correctamente, o si se ha vertido líquido sobre él, o si un objeto ha caído en su interior o si ha sufrido algún desperfecto, apague inmediatamente el equipo y desenchufe el cable eléctrico (si se trata de un equipo activo). Únicamente un técnico especialista debe reparar el equipo.
19. Para limpiar el equipo utilice un paño seco.
20. Procure seguir las normas vigentes en su país sobre reciclaje de desechos. Separe los componentes de plástico, papel y cartón del paquete para reciclarlos en sus contenedores respectivos.
21. No deje las bolsas de plástico al alcance de los niños.

PARA LOS EQUIPOS CON TOMA ELÉCTRICA:

22. ADVERTENCIA: Si el cable eléctrico está provisto de un contacto de protección, debe conectarse a una toma eléctrica con conexión a tierra. No desactivar nunca esta conexión de protección a tierra del cable eléctrico.
23. Si el equipo ha estado expuesto a un cambio brusco de temperatura (por ejemplo, después del transporte), no lo encienda inmediatamente. La condensación o la humedad podrían dañar el equipo. Deje que el equipo alcance la temperatura ambiente antes de encenderlo.
24. Antes de conectar el cable eléctrico a la toma de corriente, compruebe si la tensión y la frecuencia del suministro eléctrico coinciden con las especificaciones de este equipo. Si el equipo dispone de un selector de tensión, antes de enchufarlo a la red eléctrica, asegúrese de que el valor seleccionado coincide con la tensión de suministro. Si el enchufe o el adaptador de corriente no encajan en la toma eléctrica, consulte a un electricista.
25. Asegúrese de que el cable eléctrico no está pinzado. Evite que el cable resulte pellizcado, sobre todo en los extremos de conexión al equipo y en la toma eléctrica.

SEGURIDAD:

26. Al conectar el equipo, asegúrese de que el cable eléctrico o el adaptador de corriente estén siempre accesibles. Desconecte el equipo de la toma de corriente cuando no esté en uso o antes de limpiarlo. Para ello, desconecte el cable eléctrico y el adaptador de corriente del conector del equipo en vez de desenchufar el cable de la toma eléctrica. No tocar el cable eléctrico ni el adaptador de corriente con las manos húmedas.
27. No encienda y apague el equipo en cortos intervalos de tiempo, ya que se reduce así la vida útil del sistema.
28. **NOTA IMPORTANTE:** Sustituya los fusibles únicamente por otros del mismo tipo y de las mismas características. Si el fusible se funde continuamente, póngase en contacto con un servicio técnico autorizado.
29. Para desconectar completamente el equipo de la tensión eléctrica, desenchufe el cable eléctrico o el adaptador de corriente de la toma eléctrica.
30. Si el equipo dispone de un enchufe eléctrico Volex, deberá desbloquearse el Volex del equipo para desenchufarlo. Esto implica que un tirón en el cable eléctrico puede desplazar el equipo y provocar daños personales o materiales. Por tanto, asegúrese de instalar los cables con sumo cuidado.
31. Si es probable que caiga un rayo por una tormenta eléctrica o si no va a emplear el equipo durante mucho tiempo, desenchufe el cable eléctrico y el adaptador de corriente.



ADVERTENCIA:

Para evitar el riesgo de descarga eléctrica, no retire la tapa. El equipo no contiene piezas que el usuario pueda reparar o sustituir. Para cualquier tarea de mantenimiento o reparación, acuda a un técnico cualificado.



El símbolo de rayo dentro de un triángulo equilátero advierte al usuario de la presencia de tensiones peligrosas sin aislamiento dentro del equipo que pueden causar una descarga eléctrica y suponer un riesgo para la salud.



El símbolo de exclamación dentro de un triángulo equilátero advierte al usuario de la existencia de importantes instrucciones de uso y mantenimiento.

ADVERTENCIA: ¡ALTO VOLUMEN!

Este equipo se destina a un uso profesional. Por consiguiente, si se aplica a un uso comercial, estará sujeto a las normas y reglamentos de la Asociación para la prevención de accidentes de su sector profesional. Como fabricante, Adam Hall tiene la obligación de informar formalmente a los usuarios de la existencia de posibles riesgos para la salud.

Daños auditivos por exposición prolongada a un nivel SPL alto: este equipo puede generar fácilmente un nivel de presión sonora (SPL) lo suficientemente elevado como para causar daños auditivos permanentes a los artistas, el personal de producción y el público. Deben tomarse precauciones para evitar la exposición prolongada a un SPL de más de 90 dB.



Para evitar posibles daños auditivos, evite la exposición a volúmenes altos durante un tiempo prolongado.

Un volumen alto, incluso durante un breve espacio de tiempo, puede provocar pérdida de audición. Mantenga siempre el volumen a un nivel que le resulte agradable.

ENGLISH

DEUTSCH

FRANCAIS

ESPAÑOL

POLSKI

ITALIANO

MONTAJE, CONEXIÓN Y OPERACIÓN:

INFORMACIÓN GENERAL

Antes de ponerlo en funcionamiento, el subwoofer del sistema de PA MAUI11MIX de LD Systems debe colocarse sobre una superficie plana, apoyado verticalmente sobre sus pies de goma. No haga funcionar el sistema sobre una plataforma de transporte, debido al riesgo de que todo el sistema se mueva sin control, ocasionando accidentes y desperfectos. La refrigeración del amplificador se realiza a través de las rejillas de ventilación en la sección de conectores del panel posterior del subwoofer. Para garantizar una refrigeración adecuada durante el funcionamiento, debe mantenerse una distancia mínima de 50 cm entre el panel posterior del subwoofer y otros objetos, como paredes.

Asegúrese de que el sistema y todos los equipos conectados, como mesas de mezclas o reproductores de CD, están correctamente conectados y enchufados a la red eléctrica. Utilice únicamente cables sin defectos y de sección adecuada; además, los rollos de cable deberán estar completamente desenrollados. Si es necesario, utilice pasacables para no tropezar con los cables tendidos por el suelo. No instale el equipo cerca de un desnivel. No coloque el subwoofer sobre una mesa. Para evitar chasquidos no deseados al encender los equipos conectados, encienda el sistema siempre el último y apáguelo el primero.

MONTAJE

El sistema de PA MAUI11MIX de LD Systems consta de dos componentes:

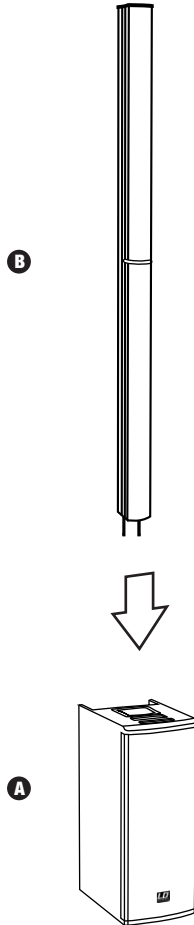
- A. Un subwoofer con la electrónica necesaria para los dos componentes.
- B. Un array de columna con ocho altavoces de 3", un tweeter y un conector multipin en la base de la columna.

Después de colocar el subwoofer en la posición deseada, el array de columna se acopla al subwoofer. Dos robustos pernos de acero aseguran un acople perfecto de los conectores multipin de los dos componentes.

CONEXIÓN Y OPERACIÓN

En el equipo se puede ajustar el volumen general del sistema y el volumen de subgraves relativo al volumen general. Los equipos reproductores pueden conectarse mediante cables balanceados o no balanceados (XLR, jack de 6,3 mm, RCA). El mezclador de 3 canales integrado dispone de una entrada de micrófono, una entrada de instrumento de alta impedancia para una guitarra eléctrica, por ejemplo, y de entradas con nivel de línea para los equipos reproductores.

MONTAJE, CONEXIÓN Y OPERACIÓN:



ENGLISH

DEUTSCH

FRANCAIS

ESPAÑOL

POLSKI

ITALIANO

CONEXIONES, CONTROLES E INDICADORES:

ENGLISH

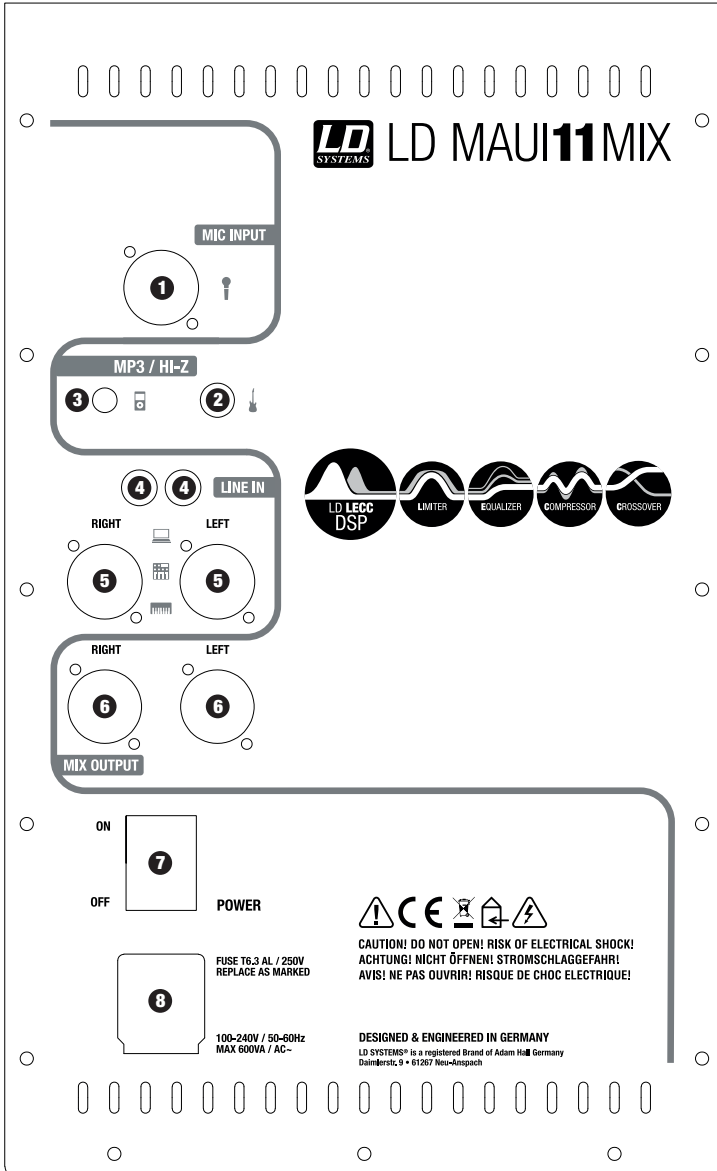
DEUTSCH

FRANCAIS

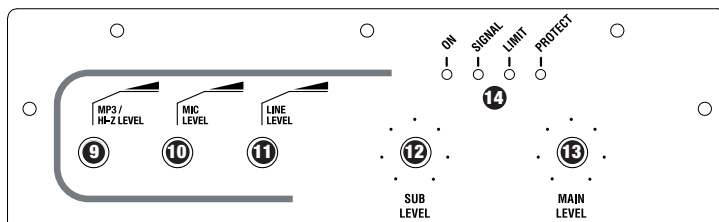
ESPAÑOL

POLSKI

ITALIANO



CONEXIONES, CONTROLES E INDICADORES:



ENGLISH

DEUTSCH

FRANCAIS

ESPAÑOL

POLSKI

ITALIANO

1 MIC INPUT

Entrada de micrófono balanceada (combo XLR/jack de 6,3 mm). Es posible usar un cable de micro balanceado (jack mono). La entrada de micro integra un filtro de corte de bajos de 100 Hz para eliminar las señales de baja frecuencia no deseadas.

NOTA: La entrada de micrófono carece de alimentación fantasma.

2 ENTRADA HI-Z

Entrada mono por jack de 6,3 mm para conectar una guitarra eléctrica o acústica. Pueden usarse ambas entradas, HI-Z y MP3, de forma simultánea; ajuste el nivel en el instrumento o en el equipo reproductor.

3 ENTRADA MP3

Entrada de línea estéreo por jack de 6,3 mm para conectar un reproductor MP3 o de otro tipo. La señal estéreo se encamina a la salida MIX OUTPUT (LEFT/RIGHT) convertida internamente a mono. Pueden usarse ambas entradas, HI-Z y MP3, de forma simultánea; ajuste el nivel en el instrumento o en el equipo reproductor.

4 LINE IN (LEFT/RIGHT) - RCA

Entrada de línea no balanceada por RCA (izquierdo/derecho) para conectar un equipo, como un portátil o un reproductor de CD. La señal estéreo se encamina a la salida MIX OUTPUT (LEFT/RIGHT) convertida internamente a mono.

5 LINE IN (LEFT/RIGHT) - XLR

Entrada de línea balanceada por conector combo XLR/jack de 6,3 mm (izquierda y derecha) para la conexión de equipos, como una mesa de mezclas o un teclado. La señal estéreo se encamina a la salida MIX OUTPUT (LEFT/RIGHT) convertida internamente a mono.

6 MIX OUTPUT (LEFT/RIGHT)

Esta salida balanceada estéreo XLR es independiente del control MAIN LEVEL y se ajusta con la mezcla de las señales de entrada de micrófono, de línea y HI-Z/MP3.

7 POWER

Interruptor luminoso de encendido/apagado del equipo. Antes de encender o apagar, ponga el volumen general a cero (MAIN LEVEL completamente girado a la izquierda).

CONEXIONES, CONTROLES E INDICADORES:

ENGLISH

DEUTSCH

FRANCAIS

ESPAÑOL

POLSKI

ITALIANO

8 TOMA ELÉCTRICA

Toma IEC (Volex) con portafusibles integrado. Se suministra con el cable eléctrico apropiado. Para desbloquear el enchufe, pulse la pieza amarilla del enchufe.

NOTA IMPORTANTE: Sustituya el fusible únicamente por otro del mismo tipo y características. Si el fusible se fundiera continuamente, póngase en contacto con un servicio técnico autorizado.

9 MP3 / HI-Z LEVEL

Control de nivel de la entrada MP3/HI-Z. Se aplica simultáneamente a las dos entradas HI-Z y MP3. Ajuste el nivel en el equipo reproductor.

10 MIC LEVEL

Control de nivel del canal de micrófono.

11 LINE LEVEL

Control de nivel del canal de línea.

12 SUB LEVEL

Permite ajustar el volumen del subwoofer respecto al de los altavoces de la columna.

13 MAIN LEVEL

Ajuste del volumen general. El volumen del subwoofer se ajusta con el control SUB LEVEL.

14 INDICADORES LED

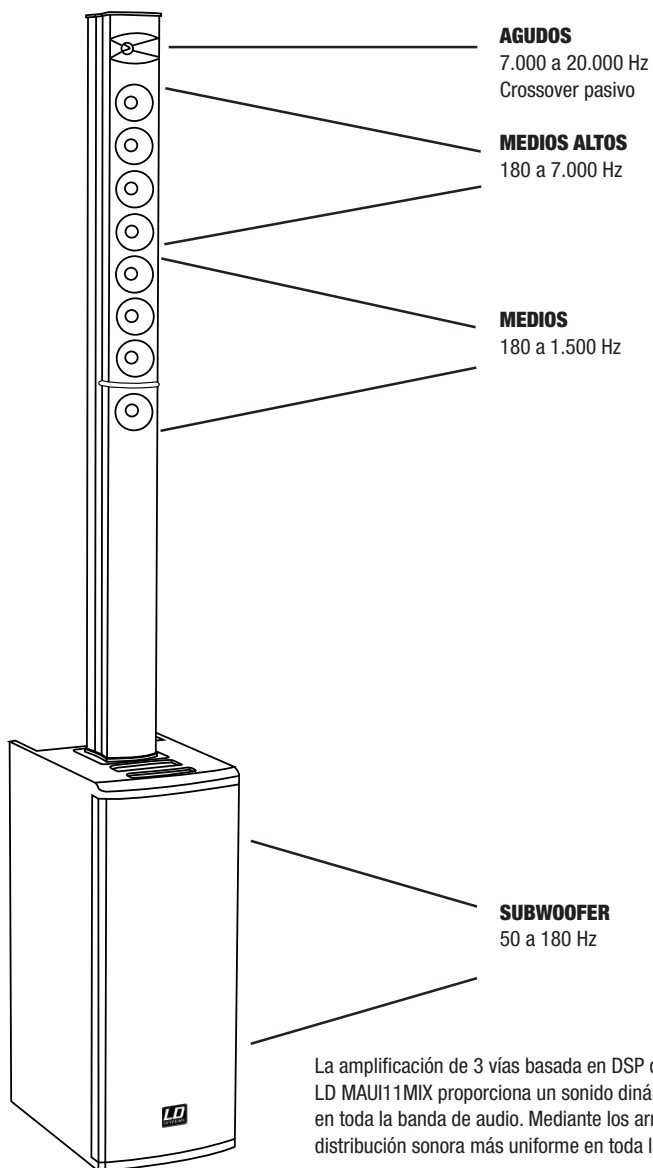
ON: Se ilumina si el equipo está encendido y correctamente enchufado a la red eléctrica.

SIGNAL: Se ilumina cuando el equipo tiene señal de audio. La señal se toma antes del control de MAIN LEVEL.

LIMIT: Se ilumina cuando el sistema de altavoces se lleva por encima del límite. No es crítico si se ilumina brevemente. Para proteger el sistema, el limitador integrado reducirá suavemente los niveles excesivos de señal. Si el LED Limit se iluminara durante más tiempo o de forma fija, disminuya el volumen. De lo contrario, el sonido será distorsionado y podrán producirse daños en los altavoces.

PROTECT: Se ilumina cuando hay una sobrecarga o un sobrecalentamiento en el sistema. Los amplificadores se silenciarán automáticamente. Cuando las condiciones de funcionamiento vuelvan a sus valores normales, el equipo volverá a funcionar normalmente al cabo de unos pocos minutos.

DISTRIBUCIÓN DE FRECUENCIAS:



ENGLISH

DEUTSCH

FRANCAIS

ESPAÑOL

POLSKI

ITALIANO

DIAGRAMA DE BLOQUES DEL DSP:

ENGLISH

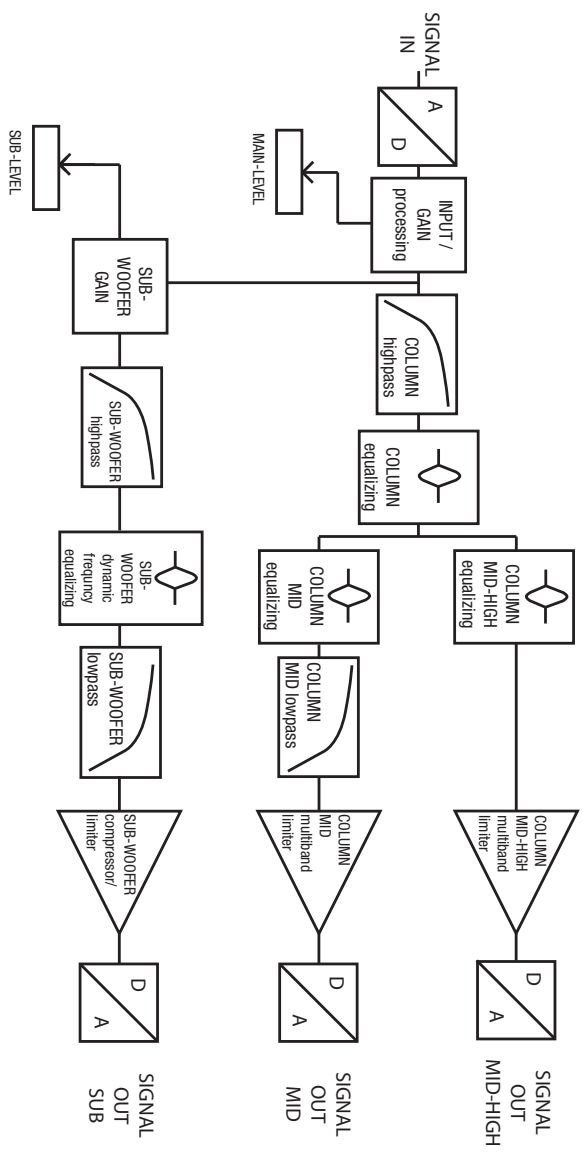
DEUTSCH

FRANCAIS

ESPAÑOL

POLSKI

ITALIANO



PROCESADOR **LECC DSP** DE LD SYSTEMS

ENGLISH

DEUTSCH

FRANCAIS

ESPAÑOL

POLSKI

ITALIANO

¿QUÉ ES EL PROCESADOR LECC DSP DE LD SYSTEMS?

DSP es la sigla en inglés de «Digital Signal Processing», o procesado digital de señales, mientras que LECC corresponde a Limitador, Ecualizador, Compresor y Crossover. El procesado digital de señales consigue una perfecta reproducción del sonido con la máxima definición y protege al sistema de PA contra las sobrecargas.

¿EN CONCRETO, ¿QUÉ HACE EL LECC DSP?

El **limitador** protege los altavoces y evita la distorsión por sobrecarga. Las frecuencias bajas, medias y altas son controladas por limitadores independientes, que actúan sobre la señal para que no sobrepase un determinado umbral, ya que podría tener consecuencias negativas. Cada limitador se ha optimizado para una banda concreta de frecuencias y para trabajar de forma integrada con las bandas de frecuencia adyacentes (limitador multibanda). Con ello se consigue un mayor SPL, ya que los picos de señal demasiado grandes quedan limitados automáticamente sin tener que reducir el volumen general del sistema.

El **ecualizador multibanda** procesa todas las bandas de frecuencias. Se utiliza para ajustar de forma óptima el sonido del sistema.

El **compresor** controla la dinámica de la señal y realiza los graves cuando el volumen es bajo para obtener un sonido más potente, mientras que si el volumen aumenta el realce se reducirá proporcionalmente. El resultado es una respuesta de graves siempre controlada y perfectamente equilibrada.

El **crossover** controla la separación de las bandas de frecuencia de cada altavoz del sistema, es decir, el subwoofer y los altavoces de medios y agudos del array de columna. Está optimizado en amplitud y tiempo, por lo que todas las frecuencias llegan al oyente de forma simultánea.

ESPECIFICACIONES:

Nombre del modelo:	LDMAUI11MIX(W)
Tipo de producto:	Sistema completo de PA
Tipo:	Activo
Color:	Negro (LDMAUI11MIX) Blanco (LDMAUI11MIXW)
SPL máx. (continuo):	114 dB
SPL máx. (pico):	122 dB
Respuesta en frecuencia:	50 a 20.000 Hz
Ángulo de dispersión (HxV):	120° (promedio horizontal)
Altura total:	1.950 mm
Peso total:	23,6 kg
Características:	LECC-DSP, dos robustos pernos de acero para conseguir un acoplamiento seguro entre el subwoofer y la columna
Subwoofer	
Tamaño del woofer:	2 x 6,5"
Tamaño del woofer:	2 x 165,1 mm
Imán del woofer:	Ferrita
Marca del woofer:	Custom Made
Diseño:	Configuración en V, bass reflex
Material de la carcasa:	Contrachapado de 15 mm
Acabado de la carcasa:	Lacado de protección
Dimensiones del subwoofer (An x Al x F):	256 x 650 x 355 mm
Peso del subwoofer:	17 kg
Características del subwoofer:	Asa ergonómica embutida, conector multipin especial para el array vertical

ESPECIFICACIONES:

ENGLISH

DEUTSCH

FRANCAIS

ESPAÑOL

POLSKI

ITALIANO

Sistema de medios/altos	
Tamaño del altavoz de medios:	8 x 3"
Tamaño del altavoz de medios:	8 x 76 mm
Imán del altavoz de medios:	Neodimio
Marca del altavoz de medios:	Custom Made
Tamaño del altavoz de agudos:	1"
Tamaño del altavoz de agudos:	25 mm
Imán del altavoz de agudos:	Neodimio
Marca del altavoz de agudos:	Custom Made
Entradas de altavoz:	1
Conector de entrada de altavoz:	Conector multipin especial
Construcción del sistema de medios/altos:	Cerrado
Material de la carcasa del sistema de medios/altos:	Aluminio
Acabado de la carcasa del sistema de medios/altos:	Texturizado
Dimensiones del sistema de medios/altos (An x Al x F):	94 x 1.300 x 95 mm
Peso del sistema de medios/altos:	6,6 kg
Características del sistema de medios/altos:	Array vertical con amplificación de 2 vías y excelente dispersión sonora

ESPECIFICACIONES:

Módulo de amplificación	
Amplificador:	3 vías clase D
Potencia del sistema (RMS):	300 W
Potencia del sistema (pico):	1200 W
Circuitos de protección:	Limitador multibanda, sobretensión, cortocircuito
Sistema de refrigeración:	Pasiva
Controles:	Main Level, Sub Level, Mic Level, Line Level, MP3 / Hi-Z Level, interruptor de encendido/apagado
Indicadores:	LEDs: On, Signal, Limit, Protect
Toma eléctrica:	Toma IEC
Alimentación eléctrica:	Fuente de alimentación conmutada
Alimentación eléctrica:	100 - 120 VAC, 50/60 Hz 200 - 240 VAC, 50/60 Hz (selección automática de tensión)
Consumo (máx.):	600 VA
Entradas de línea estéreo:	2
Conectores de entrada de línea:	Combo XLR/jack de 6,3 mm, RCA
Entradas de micrófono:	1
Conexión de entrada de micro:	Combo XLR/jack de 6,3 mm
Entradas HI-Z:	1
Conexión de entrada HI-Z:	Jack de 6,3 mm
Entradas del reproductor MP3:	1
Conexión de entrada MP3:	Minijack estéreo de 3,5 mm
Salidas de línea estéreo:	1
Conectores de salida de línea:	2 XLR macho
Salidas de altavoz:	1
Conectores de salida de altavoz:	Conector multipin especial

ESPECIFICACIONES:

ENGLISH

DEUTSCH

FRANCAIS

ESPAÑOL

POLSKI

ITALIANO

Módulo de amplificación	
Funciones DSP:	Limitador, ecualizador, compresor, crossover
Resolución A/D - D/A:	24 bits - 24 bits
Frecuencia de muestreo:	48 kHz
Relación señal/ruido:	100 dB

DECLARACIÓN DEL FABRICANTE:

GARANTÍA DEL FABRICANTE

La presente garantía cubre el producto de la marca LDSYSTEMS que ha adquirido de Adam Hall. No afecta a los derechos de garantía legal de la que responde el vendedor. De hecho, le concede derechos adicionales ante Adam Hall, independientes de la garantía legal.

Por la presente, Adam Hall garantiza que el producto que ha adquirido de Adam Hall o de un partner de Adam Hall estará exento de defectos de material y fabricación, en condiciones normales de uso, durante un período de 2 años a partir de la fecha de compra. El período de garantía entra en vigor el día de la fecha de compra. Para ejercer su derecho a la garantía será necesario presentar un justificante de compra válido en el que figure la fecha de compra del producto, por ejemplo, la factura o el albarán de entrega. Si el producto adquirido necesitara una reparación dentro del período de garantía, usted tendrá derecho a obtener los servicios de garantía conforme a los términos y condiciones establecidos en este documento.

La presente garantía se aplica únicamente al comprador original del producto comercializado por Adam Hall y no es transferible a una tercera persona a la que el comprador original haya transferido la propiedad del producto Adam Hall.

Durante el periodo de garantía, Adam Hall se compromete a reparar o sustituir las piezas defectuosas o el producto en cuestión. Todos los componentes substituidos o retirados en el marco de la presente garantía pasarán a ser propiedad de Adam Hall.

En el caso improbable de que se produzca un fallo recurrente en el producto adquirido, Adam Hall, a su entera discreción, podrá optar por sustituir dicho producto defectuoso por otro de similares características.

Adam Hall no garantiza el funcionamiento ininterrumpido y sin fallos de este producto. Adam Hall no se hace responsable de los posibles daños ocasionados por no seguir las instrucciones de uso suministradas con el producto.

Esta garantía no cubre:

- los consumibles (baterías, válvulas, etc.)
- los productos cuyo número de serie ha sido borrado, o que han quedado dañados y defectuosos debido a un accidente
- los defectos ocasionados por un uso incorrecto o indebido, o cualquier otra causa ajena
- los equipos que no se utilizan conforme a los parámetros establecidos en la documentación suministrada con el producto
- los equipos que no fueron reparados con piezas fabricadas o distribuidas por Adam Hall
- los equipos cuyo mantenimiento, modificación o reparación no haya sido realizado por Adam Hall o uno de sus servicios técnicos autorizados

Estos términos y condiciones constituyen el acuerdo de garantía íntegro y exclusivo entre usted y Adam Hall en relación con el producto Adam Hall que acaba de adquirir.

Esta garantía sólo es válida dentro de Europa. Fuera de Europa deberá dirigirse a nuestros distribuidores oficiales.

DECLARACIÓN DEL FABRICANTE:

ENGLISH

DEUTSCH

FRANCAIS

ESPAÑOL

POLSKI

ITALIANO

LIMITACIÓN DE RESPONSABILIDAD

Si durante el período de garantía aparecen defectos de material o de fabricación en su producto Adam Hall (de acuerdo con las garantías mencionadas en este documento), tendrá derecho exclusivamente a la reparación o sustitución del mismo. La responsabilidad máxima de Adam Hall en virtud de los términos de esta garantía está limitada al menor importe que resulte del precio de compra del producto, del coste de la reparación o la sustitución de las piezas que han dejado de funcionar en condiciones normales de uso.

Adam Hall no será responsable de ningún daño causado por el producto o por el mal funcionamiento del producto, incluidas la pérdida de beneficios, la pérdida de ahorros o cualquier consecuencia derivada de dichas pérdidas. Además, Adam Hall no se hará responsable de ninguna reclamación presentada por un tercero o por el comprador original en nombre de un tercero.

Esta limitación de responsabilidad se aplicará con independencia de que se solicite una indemnización por daños y perjuicios, o se presenten reclamaciones por negligencia, contractuales o de cualquier otra índole, y no podrá ser derogada o modificada. Esta limitación de responsabilidad será efectiva incluso en el caso de que el comprador hubiese avisado previamente a Adam Hall o a alguno de sus representantes de la posibilidad de reclamar daños y perjuicios. No obstante, esta limitación de responsabilidad no tendrá efecto en caso de reclamación por daños personales.

Esta garantía limitada le otorga derechos legales específicos. Puede que posea derechos adicionales conforme a la legislación del país o Estado en el que se encuentre. Le recomendamos que consulte la legislación vigente en su país o Estado para conocer el alcance de sus derechos.

APLICACIÓN DE LA GARANTÍA

Para solicitar asistencia técnica en relación con el producto en garantía, póngase en contacto con Adam Hall o con el distribuidor autorizado donde adquirió el producto.

DECLARACIÓN CE DE CONFORMIDAD

Los productos distribuidos por Adam Hall cumplen (según proceda) los requisitos esenciales de las Directivas europeas 1999/5/CE (Equipos radioeléctricos y equipos terminales de telecomunicación, R&TTE), 2004/108/CE (Compatibilidad Electromagnética) y 2006/95/CE (Baja Tensión), así como las correspondientes cláusulas adicionales. Para más información consulte www.adamhall.com.

DECLARACIÓN DEL FABRICANTE:

ELIMINACIÓN CORRECTA DE ESTE PRODUCTO

(Aplicable en la Unión Europea y en los países europeos que dispongan de un sistema de recogida selectiva)



El símbolo que aparece sobre el producto o en la documentación adjunta indica que al final de la vida útil del equipo, no deberá desecharlo con los demás residuos domésticos, con el fin de evitar posibles efectos negativos en el medio ambiente y en la salud humana debidos al vertido incontrolado de desechos. La recogida selectiva ayuda a su posterior reciclaje y fomenta la reutilización sostenible de los componentes de este equipo.

Si es un particular, póngase en contacto con el distribuidor donde adquirió este producto, o con el ayuntamiento, para informarse sobre el reciclaje adecuado de este equipo.

Si es una empresa, póngase en contacto con su proveedor para informarse sobre los términos y condiciones de su contrato de compra-venta. Este producto no debe mezclarse con otros residuos industriales.

PROTECCIÓN MEDIOAMBIENTAL Y AHORRO ENERGÉTICO

Ahorre energía eléctrica para proteger el medio ambiente. Para ello, apague todos los aparatos eléctricos cuando no estén en uso. Además, para evitar el consumo de energía en modo En espera, desenchufe todo aparato eléctrico de la toma de corriente cuando no esté en uso.

Adam Hall GmbH. Todos los derechos reservados. Los datos técnicos y las características funcionales del producto están sujetos a modificaciones. Se prohíbe la fotocopia, traducción y cualquier otra forma de reproducción parcial o total de este manual de usuario.

ENGLISH

DEUTSCH

FRANCAIS

ESPAÑOL

POLSKI

ITALIANO



ENGLISH

DEUTSCH

FRANCAIS

ESPAÑOL

POLSKI

ITALIANO

Gratulujemy wyboru!

To urządzenie zostało zaprojektowane i wyprodukowane przy zastosowaniu najwyższych kryteriów jakościowych w celu zapewnienia wieloletniej bezawaryjnej eksploatacji. Firma LD Systems gwarantuje to swoją marką i wieloletnim doświadczeniem w wytwarzaniu wysokiej jakości produktów audio.

Proszę starannie przeczytać niniejszą instrukcję obsługi, aby móc jak najszybciej zacząć użytkować ten produkt marki LD Systems.

Dalsze informacje na temat firmy LD SYSTEMS dostępne są na naszej stronie internetowej WWW.LD-SYSTEMS.COM

Wprowadzenie

System kolumn PA LD Systems MAUI11MIX przeznaczony jest do zastosowań profesjonalnych. Składa się on z wysokiej jakości elementów, z końcówką mocy ze sterowaniem DSP oraz z 3-droźną zwrotnicą głośnikową i oferuje zrównoważone brzmienie w całym spektrum częstotliwości.

Cyfrowa obróbka sygnału LD LECC DSP obejmuje takie funkcje, jak zwrotnica głośnikowa, korektor, kompresor i limiter, i jest dostosowana do systemu PA MAUI11MIX, aby zawsze oferować optymalną jakość dźwięku. System działający w oparciu o zasadę „Plug and Play” nie wymaga stosowania dodatkowych kabli ani statywów i dlatego jest łatwy w montażu i demontażu.

LD MAUI11MIX(W)

KOMPAKTOWY, AKTYWNY SYSTEM KOLUMN PA ZE ZINTEGROWANYM,
3-KANAŁOWYM MODUŁEM MIKSUJĄCYM



ŚRODKI OSTROŻNOŚCI:

1. Należy dokładnie przeczytać niniejszą instrukcję.
2. Wszystkie informacje i instrukcje przechowywać w bezpiecznym miejscu.
3. Należy przestrzegać zaleceń.
4. Należy przestrzegać wszystkich wskazówek ostrzegawczych. Nie wolno usuwać wskazówek bezpieczeństwa ani innych informacji znajdujących się na urządzeniu.
5. Używać urządzenia wyłącznie w sposób zgodny z jego przeznaczeniem.
6. Stosować wyłącznie stabilne i pasujące statywy, ew. elementy mocujące (w przypadku instalacji stałych).
7. Należy zadbać o prawidłową instalację uchwytów ściennych i ich odpowiednie zabezpieczenie. Zapewnić bezpieczną instalację urządzenia i upewnić się, że urządzenie nie spadnie.
8. Podczas instalacji przestrzegać obowiązujących w danym kraju przepisów bezpieczeństwa.
9. Urządzenie instalować i eksploatować z dala od grzejników, zasobników ciepła, pieców i innych źródeł ciepła. Zadbać o zainstalowanie urządzenia w taki sposób, aby zawsze było ono wystarczająco chłodzone i nie mogło ulec przegrzaniu. Unikać bezpośredniego działania promieni słonecznych!
10. Nie umieszczać na urządzeniu źródeł zapłonu, takich jak np. palące się świece.
11. Nie wolno blokować szczelin wentylacyjnych.
12. Nie używać urządzenia w bezpośrednim sąsiedztwie wody (nie dotyczy specjalnych urządzeń do stosowania na zewnątrz – w takim przypadku należy przestrzegać podanych poniżej wskazówek specjalnych). Urządzenie nie może mieć kontaktu z palnymi materiałami, płynami ani gazami.
13. Zabezpieczyć urządzenie przed wniknięciem kapiącej lub przyskającej wody. Nie wolno stawiać na urządzeniu pojemników napełnionych płynami, takich jak wazonny czy naczynia z piciem.
14. Należy zadbać o to, aby do urządzenia nie wpadały żadne przedmioty.
15. Urządzenie można eksploatować tylko przy użyciu akcesoriów zalecanych i przewidzianych przez producenta.
16. Nie otwierać urządzenia ani nie dokonywać w nim zmian.
17. Po podłączeniu urządzenia sprawdzić wszystkie ciągi kablowe, aby zapobiec szkodom lub wypadkom np. w wyniku potknięcia.
18. Podczas transportu zadbać o to, aby urządzenie nie upadło, gdyż może to spowodować uszkodzenie mienia i obrażenia ciała.
19. Jeśli urządzenie nie działa prawidłowo, do jego wnętrza dostały się płyny lub przedmioty lub jeśli urządzenie zostało uszkodzone w inny sposób, należy je natychmiast wyłączyć i odłączyć od gniazda sieciowego (jeśli urządzenie jest aktywne). Naprawę takiego urządzenia może wykonać tylko autoryzowany personel specjalistyczny.
20. Do czyszczenia urządzenia stosować suchą ściereczkę.
21. Przestrzegać obowiązujących w danym kraju przepisów dotyczących usuwania odpadów. Podczas utylizacji opakowania oddzielić tworzywo sztuczne od papieru i tektury.
22. Worki z tworzywa sztucznego należy przechowywać w miejscu niedostępnym dla dzieci.

DOTYCZY URZĄDZEŃ Z ZASILANIEM SIECIOWYM:

22. UWAGA: jeśli kabel sieciowy urządzenia jest wyposażony w zestyk ochronny, należy go podłączyć do gniazda z przewodem uziemiającym. Nigdy nie wolno dezaktywować przewodu uziemiającego kabla sieciowego.
23. Nie włączać urządzenia bezpośrednio po narażeniu go na silne wahania temperatury (np. po transporcie). Wilgoć i skropliny mogą uszkodzić urządzenie. Włączyć urządzenie dopiero wtedy, gdy osiągnie temperaturę pokojową.
24. Przed podłączeniem urządzenia do gniazda elektrycznego należy sprawdzić, czy napięcie i częstotliwość sieci elektrycznej odpowiada wartościom podanym na urządzeniu. Jeśli urządzenie jest wyposażone w przełącznik napięcia, należy podłączyć je do gniazda tylko wówczas, gdy wartości urządzenia odpowiadają wartościom sieci elektrycznej. Jeśli dołączony kabel sieciowy lub dołączony adapter sieciowy nie pasuje do gniazda elektrycznego, należy skontaktować się z elektrykiem.

BEZPIECZEŃSTWO:

ENGLISH

DEUTSCH

FRANCAIS

ESPAÑOL

POLSKI

ITALIANO

25. Nie stawać na kablu sieciowym. Należy zadbać o to, aby kable przewodzące napięcie nie były zagięte przy gnieździe sieciowym, przy adapterze sieciowym ani przy gnieździe urządzenia.
26. Przy podłączaniu urządzenia zawsze należy zadbać o to, aby kabel sieciowy lub adapter sieciowy był zawsze łatwo dostępny. Odłączyć urządzenie od źródła zasilania, gdy nie jest ono używane lub gdy ma zostać poddane czyszczeniu. Zawsze należy wyjmować kabel sieciowy i adapter sieciowy z gniazda, chwytając za wtyczkę lub adapter, a nie za kabel. Nigdy nie dotykać kabla sieciowego i adaptera sieciowego mokrymi dłońmi.
9. W miarę możliwości nie włączać i wyłączać urządzenia w krótkich odstępach czasu, gdyż może to mieć negatywny wpływ na jego żywotność.
28. **WAŻNA INFORMACJA:** bezpieczniki należy wymieniać wyłącznie na bezpieczniki tego samego typu i o takich samych wartościach. Jeśli bezpiecznik stale się przepala, należy skontaktować się z autoryzowanym centrum serwisowym.
29. Aby całkowicie odłączyć urządzenie od sieci, należy wyjąć kabel sieciowy lub adapter sieciowy z gniazda.
30. Jeśli urządzenie jest wyposażone w przyłącze sieciowe Volex, konieczne jest odblokowanie odpowiedniej wtyczki urządzenia Volex, zanim będzie możliwe jej odłączenie. Oznacza to także, iż w wyniku pociągnięcia za kabel urządzenie może się przesunąć i spaść, co może spowodować obrażenia ciała i/lub inne szkody, dlatego ważne jest, aby przewody były odpowiednio poprowadzone.
31. W przypadku zagrożenia uderzeniem pioruna lub jeśli urządzenie przez dłuższy czas nie jest używane, należy wyjąć kabel sieciowy i adapter sieciowy z gniazda.



UWAGA:

Nigdy nie wolno zdejmować pokrywy, gdyż grozi to porażeniem prądem. We wnętrzu urządzenia nie ma żadnych części, które mogłyby zostać naprawione bądź poddane czynnościom konserwacyjnym przez użytkownika. Naprawy może przeprowadzać wyłącznie wykwalifikowany personel serwisowy.



Trójkąt równoramienny z symbolem błyskawicy oznacza niezaizolowane, „niebezpieczne” napięcie w urządzeniu, które może spowodować niebezpieczne dla zdrowia porażenie prądem.



Trójkąt równoramienny z wykrzyknikiem oznacza ważne wskazówki dotyczące obsługi i wskazówki ostrzegawcze.

UWAGA NA WYSOKI POZIOM GŁOŚNOŚCI PRODUKTÓW AUDIO!

To urządzenie przewidziane jest do profesjonalnych zastosowań. Komercyjne stosowanie tego urządzenia podlega obowiązującym w danym kraju przepisom i wytycznym dotyczącym zapobiegania wypadkom. Firma Adam Hall jest jako producent zobowiązana do wyraźnego informowania o potencjalnym zagrożeniu dla zdrowia. Utrata słuchu w wyniku wysokiego poziomu głośności i długotrwałego narażenia: podczas stosowania tego produktu może powstać wysoki poziom ciśnienia akustycznego (SPL), który może doprowadzić do nieodwracalnego uszkodzenia słuchu u artystów, pracowników i widzów. Należy unikać długotrwałego narażenia na wysoki poziom głośności powyżej 90 dB.



Aby zapobiec ewentualnemu uszkodzeniu słuchu, unikać słuchania przy dużym poziomie głośności przez dłuższy czas.

Głośny dźwięk może prowadzić do uszkodzenia słuchu nawet przy krótkim okresie oddziaływania. Głośność należy zawsze utrzymywać na przyjemnym dla ucha poziomie.

WSKAZÓWKI OGÓLNE

Przed włączeniem subwoofera systemu PA LD Systems MAUI11MIX należy ustawić go pionowo na równej powierzchni, na gumowych nóżkach. Nigdy nie wolno uruchamiać systemu umieszczonego na wózku na kółkach, ponieważ zachodzi ryzyko niekontrolowanego przesunięcia się całego systemu. Może to skutkować wypadkami lub uszkodzeniami. Końcówka mocy jest chłodzona przez szczeliny wentylacyjne umieszczone w panelu przyłączy na tylnej stronie subwoofera. Aby zapewnić odpowiednie chłodzenie, należy w trakcie pracy urządzenia zachować odstęp minimalny wynoszący 50 cm między tylną stroną subwoofera a innymi obiektami, jak np. ściany itp.

Należy zwrócić uwagę na prawidłowe podłączenie złączy audio i zasilania w systemie i w podłączonych urządzeniach, jak pulpity mikserskie, odtwarzacze CD itp. Należy stosować wyłącznie nieuszkodzone kable o odpowiedniej średnicy i zawsze całkowicie rozwijać bębny kablów. W razie potrzeby należy stosować mosty kablów, aby zapobiec ryzyku potknięcia się o luźne kable. Nie wolno ustawiać urządzeń bezpośrednio na krawędzi. Nie ustawiać subwoofera na stole. Aby uniknąć niepożądanych zakłóceń przy włączaniu podłączonych urządzeń, zawsze należy włączać system jako ostatnie i wyłączać jako pierwsze urządzenie.

BUDOWA

System PA LD Systems MAUI11MIX składa się z dwóch elementów:

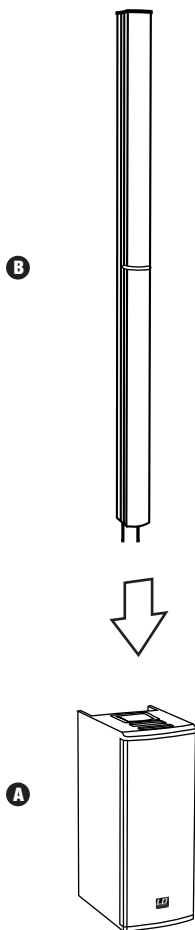
- A. subwoofera ze zintegrowanym układem elektronicznym obsługującym oba elementy systemu,
- B. kolumny głośnikowej Array z ośmioma głośnikami 3", głośnikiem wysokotonowym i wielostykowym złączem w stopie kolumny.

Po ustawieniu subwoofera w wybranym miejscu należy umieścić kolumnę Array na subwooferze. Dwa stabilne bolce stalowe umożliwiając optymalne pozycjonowanie złączy wielostykowych w obu elementach.

PODŁĄCZENIE I EKSPLOATACJA

W urządzeniu można regulować zarówno głośność całego systemu, jak i głośność subwoofera w stosunku do głośności ogólnej. Dodatkowe urządzenia można podłączyć za pomocą kabli symetrycznych lub niesymetrycznych (XLR/6,3 mm jack/cinch). Zintegrowany 3-kanalowy pulpit mikserski jest wyposażony w wejście mikrofonowe, wejście na instrument o wysokiej oporności wewnętrznej, np. gitarę elektryczną, oraz w wejścia na dodatkowe urządzenia z poziomem liniowym.

BUDOWA, PODŁĄCZENIE I URUCHOMIENIE URZĄDZENIA



ENGLISH

DEUTSCH

FRANCAIS

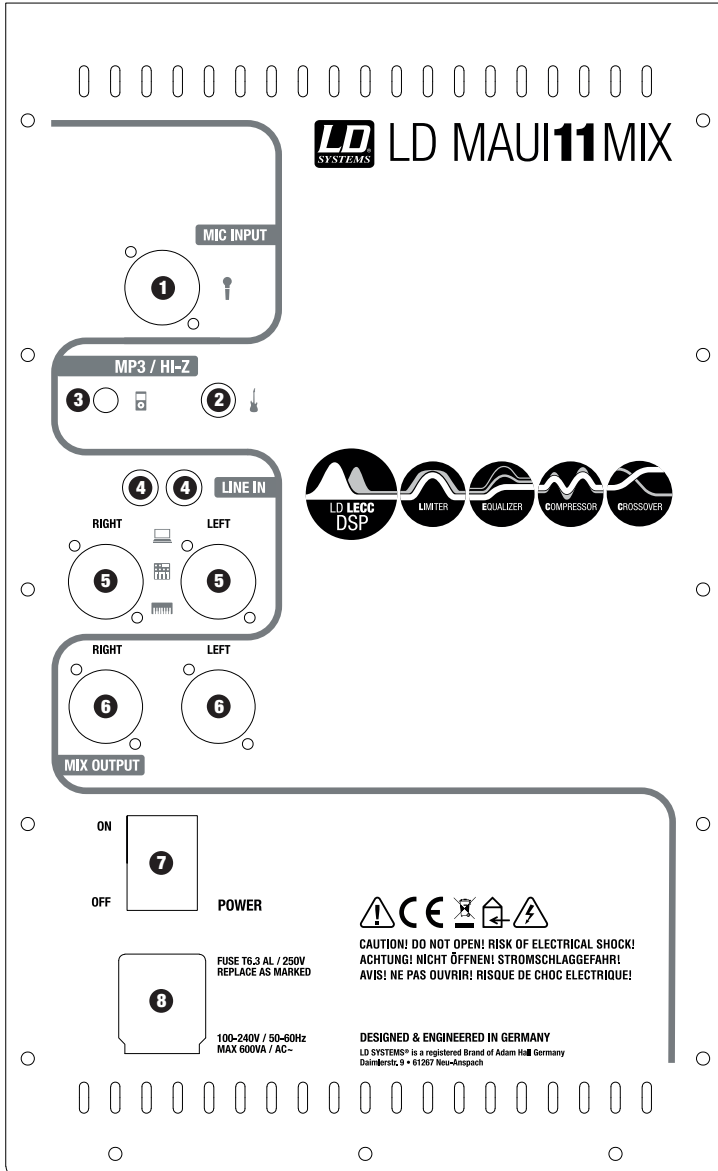
ESPAÑOL

POLSKI

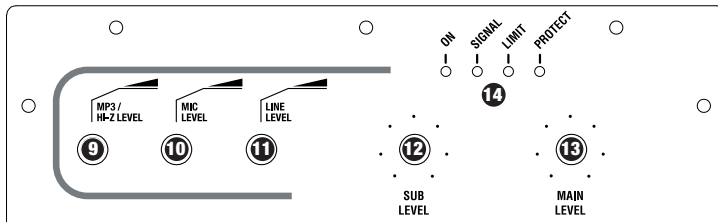
ITALIANO

PRZYŁĄCZA, ELEMENTY OBSŁUGI I WSKAŹNIKI

- ENGLISH
- DEUTSCH
- FRANCAIS
- ESPAÑOL
- POLSKI
- ITALIANO



PRZYŁĄCZA, ELEMENTY OBSŁUGI I WSKAŹNIKI



ENGLISH

DEUTSCH

FRANCAIS

ESPAÑOL

POLSKI

ITALIANO

1 MIC INPUT

Symetryczne wejście mikrofonowe (XLR/Combo jack 6,3 mm). Możliwe jest także użycie niesymetrycznego kabla mikrofonowego (jack mono). Wejście mikrofonowe wyposażone jest w filtr stuków krokowych 100 Hz, służący do tłumienia niepożądanych elementów sygnału o niskiej częstotliwości.

WSKAZÓWKA: wejście mikrofonowe nie jest wyposażone w zasilanie fantomowe.

2 HI-Z INPUT

Wejście mono z gniazdem jack 6,3 mm na gitarę akustyczną lub elektryczną. Oba wejścia HI-Z i MP3 mogą być używane jednocześnie, stosunek głośności należy ustawić na instrumencie lub w podłączonym urządzeniu.

3 MP3 INPUT

Linowe wejście stereo z gniazdem jack 3,5 mm na odtwarzacz MP3 lub inne urządzenie. Sygnał audio wyprowadzany jest przez MIX OUTPUT LEFT/RIGHT jako sygnał stereo, a wewnętrznie sumowany do sygnału mono. Oba wejścia HI-Z i MP3 mogą być używane jednocześnie, stosunek głośności należy ustawić na instrumencie lub w podłączonym urządzeniu.

4 LINE INPUT LEFT/RIGHT (CINCH)

Niesymetryczne wejście liniowe z gniazdami cinch (prawe/lewe) do podłączania urządzeń zewnętrznych (np. laptopa, odtwarzacza CD). Sygnał audio wyprowadzany jest przez MIX OUTPUT LEFT/RIGHT jako sygnał stereo, a wewnętrznie sumowany do sygnału mono.

5 LINE INPUT LEFT/RIGHT (XLR)

Symetryczne wejście liniowe (gniazda XLR/Combo jack 6,3 mm, lewe/prawe) do podłączania urządzeń zewnętrznych (np. pulpitu mikaserskiego, keyboardu). Sygnał audio wyprowadzany jest przez MIX OUTPUT LEFT/RIGHT jako sygnał stereo, a wewnętrznie sumowany do sygnału mono.

6 MIX OUTPUT LEFT/RIGHT

To symetryczne wyjście stereo XLR jest niezależne od głośności sumy (Main Level) i przesyła sygnał zbiorczy z mikrofonu i HI-Z/MP3 oraz wejściowych sygnałów liniowych.

7 POWER

Podświetlany włącznik/wyłącznik dopływu zasilania do urządzenia. Przed włączeniem i wyłączeniem zawsze należy ustawić główny regulator głośności na zero (MAIN LEVEL w lewą stronę do oporu).

PRZYŁĄCZA, ELEMENTY OBSŁUGI I WSKAŹNIKI

8 GNIAZDO SIECIOWE

Gniazdo sieciowe IEC (Volex) ze zintegrowaną podstawą bezpiecznika. W zestawie znajduje się odpowiedni kabel sieciowy. W celu odblokowania wtyczki urządzenia należy wcisnąć żółty przycisk na wtyczce. **WAŻNA INFORMACJA:** bezpiecznik należy wymieniać wyłącznie na bezpiecznik tego samego typu i o takich samych parametrach. Jeśli bezpiecznik stale się przepala, należy skontaktować się z autoryzowanym centrum serwisowym.

9 MP3/HI-Z LEVEL

Regulacja głośności dla kanału MP3/HI-Z. Oba wejścia HI-Z INPUT i MP3 INPUT mogą być używane równocześnie. Stosunek głośności należy ustawić w podłączanych urządzeniach.

10 MIC LEVEL

Regulator głośności dla kanału mikrofonu.

11 LINE LEVEL

Regulator głośności dla kanału liniowego.

12 SUB LEVEL

Ustawianie stosunku głośności subwoofera i głośnika kolumnowego.

13 MAIN LEVEL

Regulacja głośności ogólnej. Głośność subwoofera regulowana jest zgodnie z ustawieniami regulatora poziomu SUB LEVEL.

14 Wskaźniki LED

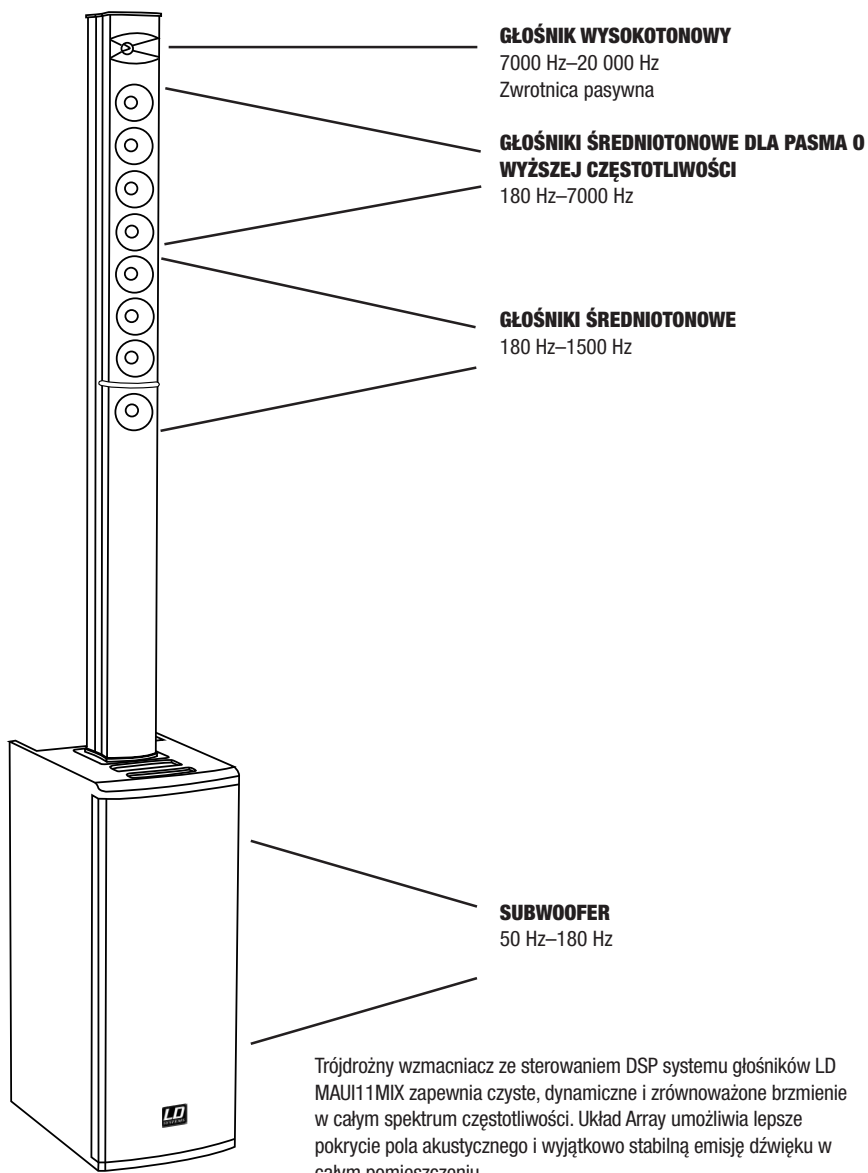
ON: zapala się, gdy urządzenie jest prawidłowo podłączone do sieci elektrycznej i włączone.

SIGNAL: zapala się, gdy do urządzenia zostanie doprowadzony sygnał audio. Do regulacji poziomu sygnału służy regulator MAIN LEVEL.

LIMIT: zapala się, gdy system głośników pracuje w górnym w zakresie granicznym. Krótkie zaświecenie się diody LED nie jest krytyczne. Aby chronić system, zbyt wysoki poziom sygnału jest obniżany przez zintegrowany limiter. Jeśli dioda LED limitera świeci się dłużej lub na stałe, należy zredukować poziom głośności. Nieprzestrzeganie tych zaleceń może skutkować zniekształconym odtwarzaniem dźwięku i uszkodzeniem systemu głośników.

PROTECT: zapala się, gdy system jest przeciążony lub przegrzany. Wzmacniacze są automatycznie wyciszane. Po osiągnięciu standardowych warunków pracy urządzenie przełącza się po kilku minutach z powrotem na normalny tryb działania.

PRZYPISANIE CZĘSTOTLIWOŚCI



ENGLISH

DEUTSCH

FRANCAIS

ESPAÑOL

POLSKI

ITALIANO

SCHEMAT BLOKOWY DSP

ENGLISH

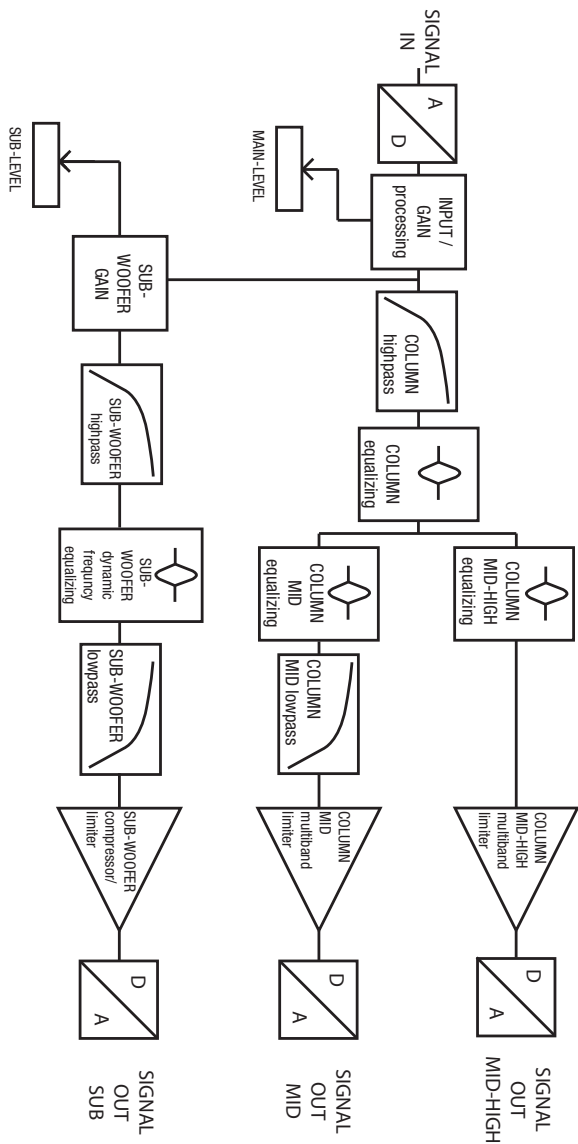
DEUTSCH

FRANCAIS

ESPAÑOL

POLSKI

ITALIANO



CO OZNACZA NAZWA LD SYSTEMS LECC DSP?

DSP to skrót od Digital Signal Processing (Cyfrowe Przetwarzanie Sygnałów), LECC oznacza Limiter, EQ, Compressor i Crossover (limiter, korektor, kompresor i zwrotnica). Cyfrowe przetwarzanie dźwięków gwarantuje optymalne odtwarzanie sygnału audio z maksymalną czystością i równocześnie chroni system PA przed przeciążeniem.

CO DOKŁADNIE POWODUJE LECC DSP?

Funkcja limitera chroni głośnik i zapobiega powstawaniu zniekształceń wynikających z przesterowania. Oddzielne limityery dla strefy niskich, średnich i wysokich tonów osłabiają sygnał, gdy poziom przekroczy wartość, która mogłaby mieć negatywny wpływ na system. Każdy limiter został zoptymalizowany dla jednego z trzech zakresów częstotliwości płynnie przechodzących jeden w drugi (limiter wielopasmowy). Dzięki temu system może pracować przy łącznie wyższym ciśnieniu akustycznym, gdyż ekstremalne poziomy sygnału są automatycznie osłabiane, w związku z czym nie ma konieczności redukcji głośności ogólnej.

Korektor wielopasmowy obsługuje cały zakres częstotliwości i optymalizuje ogólne brzmienie systemu.

Kompresor jest włączany automatycznie, aby wzmocnić basy i wytworzyć mocniejszy dźwięk. Przy zwiększaniu poziomu głośności moc głośnika niskotonowego jest automatycznie redukowana. Takie automatyczne sterowanie basami pozwala na ich optymalne dopasowanie do ogólnego brzmienia systemu.

Zwrotnice głośnikowe przydzielają sygnał audio w zależności od zakresu częstotliwości do danego głośnika, czyli do subwoofera, głośnika średnio- lub wysokotonowego kolumny Array. Optymalizacja amplitudy i czasu reakcji zwrotnic zapewnia równomierne wyprowadzanie wszystkich częstotliwości i ich równoczesne dotarcie do słuchacza.

SPECYFIKACJA

Oznaczenie modelu:	LDMAUI11MIX(W)
Rodzaj produktu:	kompleksowy system PA
Typ:	aktywny
Kolor:	czarny (LDMAUI11MIX) biały (LDMAUI11MIXW)"
Maks. SPL (ciągły):	114 dB
Maks. SPL (szczytowy):	122 dB
Charakterystyka częstotliwościowa:	50 Hz–20 000 Hz
Kąt promieniowania dźwięku (poziom x pion):	120° (wartość średnia, poziomo)
Wysokość całkowita:	1950 mm
Masa całkowita:	23,6 kg
Właściwości:	LECC-DSP, dwa stabilne bolce stalowe służące do prawidłowego połączenia subwoofera z kolumną Array
Subwoofer	
Wielkość subwoofera:	2 x 6,5"
Wielkość subwoofera:	2 x 165,1 mm
Magnes subwoofera:	ferrytowy
Marka subwoofera:	na zamówienie
Typ konstrukcji obudowy:	konstrukcja V, bass-reflex
Materiał obudowy:	sklejka, 15 mm
Powierzchnia obudowy:	lakier PA
Wymiary subwoofera (szer. x wys. x gł.):	256 x 650 x 355 mm
Waga subwoofera:	17 kg
Właściwości użytkowe subwoofera:	ergonomicznie wyprofilowany uchwyt, złącze wielostykowe Custom Made dla pionowego układu Array

SPECYFIKACJA

ENGLISH

DEUTSCH

FRANCAIS

ESPAÑOL

POLSKI

ITALIANO

System Mid/Hi	
Rozmiary głośnika średniotonowego:	8 x 3"
Rozmiary głośnika średniotonowego:	8 x 76 mm
Magnes głośnika średniotonowego:	neodymowy
Marka głośnika średniotonowego:	na zamówienie
Wymiary głośnika wysokotonowego:	1"
Wymiary głośnika wysokotonowego:	25 mm
Magnes głośnika wysokotonowego:	neodymowy
Marka głośnika wysokotonowego:	na zamówienie
Wejścia głośnika:	1
Przyłącza wejściowe głośnika:	złącze wielostykowe Custom Made
Rodzaj obudowy systemu Mid/Hi:	zamknięta
Materiał obudowy systemu Mid/Hi:	aluminium
Powierzchnia obudowy systemu Mid/Hi:	powlekanie proszkowe
Wymiary systemu Mid/Hi (szer. x wys. x gł.):	94 x 1300 x 95 mm
Waga systemu Mid/Hi:	6,6 kg
Właściwości użytkowe systemu Mid/Hi:	pionowy układ Array z 2-drożnym ampingiem i niezwykle szerokim zakresem emisji dźwięku

SPECYFIKACJA

Moduł wzmacniacza	
Wzmacniacz:	trójdrożny, klasy D
Moc systemu ze wzmacniaczem (RMS):	300 W
Moc systemu ze wzmacniaczem (szczytowa):	1200 W
Wyłączniki ochronne:	limiter wielopasmowy, przepięcie, zwarcie
Chłodzenie:	pasywne
Elementy obsługi:	Main Level, Sub Level, Mic Level, Line Level, MP3/Hi-Z Level, ON/OFF
Wskaźniki:	diody LED: On, Signal, Limit, Protect
Przyłącze zasilania sieciowego:	gniazdo sieciowe IEC
Zasilanie:	zasilacz impulsowy
Napięcie robocze:	100 V AC–120 V AC, 50–60 Hz 200 V AC–240 V AC, 50–60 Hz (automatyczne przeł. czenie)
Pobór mocy (maks.):	600 VA
Liniov wejścia stereo:	2
Przyłącza wejściowe liniowe:	XLR/Combo jack 6,3 mm, cinch
Wejścia mikrofonowe:	1
Przyłącza wejściowe mikrofonowe:	XLR/Combo jack 6,3 mm
Wejścia HI-Z:	1
Przyłącza wejściowe HI-Z:	jack 6,3 mm
Wejścia dla odtwarzacza MP3:	1
Przyłącza wejściowe dla odtwarzacza MP3:	stereo jack 3,5 mm
Liniov wyjścia stereo:	1
Przyłącza wyjścia liniowego:	2 x XLR, męskie
Wyjścia głośnikowe:	1
Przyłącza wyjściowe głośnika:	wielostykowe Custom Made

SPECYFIKACJA

Moduł wzmacniacza	
Funkcje DSP:	limiter, korektor, kompresor, zwrotnica
Rozdzielczość przetworników A/D – D/A:	24 bit – 24 bit
Częstotliwość próbkowania:	48 kHz
Stosunek sygnału do szumu:	100 dB

ENGLISH

DEUTSCH

FRANCAIS

ESPAÑOL

POLSKI

ITALIANO

DEKLARACJE PRODUCENTA:

GWARANCJA PRODUCENTA

Niniejsza gwarancja obejmuje zakupiony przez Państwa produkt Adam Hall marki LDSYSTEM. Niniejsza gwarancja nie narusza ustawowych praw wynikających z rękojmi wobec sprzedawcy. Gwarancja ta określa dodatkowo oddzielne roszczenia wobec firmy Adam Hall.

Udzielając niniejszej gwarancji, firma Adam Hall zapewnia, że zakupiony przez Państwa w firmie Adam Hall lub u partnera firmy Adam Hall produkt przy normalnym użytkowaniu w okresie 2 lat od daty zakupu będzie wolny od wad materiałowych lub wad technologicznych. Okres gwarancji rozpoczyna się z dniem zakupu. Potwierdzenie daty zakupu niezbędne dla dochodzenia roszczenia gwarancyjnego następuje poprzez okazanie paragonu opatrzonego datą zakupu lub dowodu dostawy opatrzonego datą zakupu. Użytkownik ma prawo do serwisu gwarancyjnego zgodnie z warunkami i postanowieniami wymienionymi w niniejszym dokumencie, jeśli wymagana jest naprawa w trakcie okresu gwarancyjnego.

Niniejsza gwarancja przysługuje wyłącznie pierwotnemu kupującemu, który nabył produkt oferowany przez firmę Adam Hall i nie podlega przeniesieniu na osoby, na które pierwotny kupujący przeniósł własność w odniesieniu do produktu firmy Adam Hall.

W trakcie trwania okresu gwarancji wadliwe komponenty lub produkt firmy Adam Hall podlegają naprawie lub wymianie. Wszystkie komponenty wymienione lub usunięte w ramach niniejszej gwarancji stają się własnością firmy Adam Hall.

W mało prawdopodobnym przypadku, gdy w zakupionym przez Państwa produkcie firmy Adam Hall wada wystąpiłaby wielokrotnie, firma Adam Hall może, według własnego uznania, zdecydować o wymianie tego produktu na porównywalny produkt o co najmniej takich samych parametrach.

Firma Adam Hall nie udziela gwarancji na bezzakłóceńowe lub bezawaryjne działanie niniejszego produktu. Firma Adam Hall nie ponosi odpowiedzialności za szkody wynikłe z nieprzestrzegania instrukcji objętych zakresem dostawy.

Niniejsza gwarancja nie obejmuje:

- części zużywalnych (np. akumulatora, lamp elektronowych);
- urządzeń, z których usunięto numer seryjny lub które zostały uszkodzone w wyniku wypadku;
- nieodpowiedniej lub nieprawidłowej eksploatacji lub innych przyczyn zewnętrznych;
- urządzeń, które były eksploatowane niezgodnie z parametrami pracy określonymi w dokumentacji użytkownika objętej zakresem dostawy produktu;
- urządzeń, które były naprawiane przy użyciu części, których nie wyprodukowała lub nie sprzedała firma Adam Hall;
- urządzeń, które były serwisowane, modyfikowane lub naprawiane przez inne osoby niż firma Adam Hall lub jej autoryzowany partner serwisowy.

Niniejsze postanowienia i warunki stanowią kompletną i wyłączną umowę gwarancyjną między klientem a firmą Adam Hall dotyczącą zakupionego przez klienta produktu Adam Hall.

Niniejsza gwarancja jest ważna tylko na terenie Europy. Poza Europą proszę kontaktować się z naszymi oficjalnymi dystrybutorami.

DEKLARACJE PRODUCENTA:

ENGLISH

DEUTSCH

FRANCAIS

ESPAÑOL

POLSKI

ITALIANO

OGRANICZENIE ODPOWIEDZIALNOŚCI

Jeśli w produktach sprzętowych firmy Adam Hall w trakcie trwania okresu gwarancji wystąpią szkody materiałowe lub technologiczne (zgodnie z powyższym oświadczeniem gwarancyjnym), jedyne i wyłączone prawo klienta wynikające z niniejszej gwarancji dotyczy naprawy lub wymiany urządzenia. Maksymalna odpowiedzialność firmy Adam Hall jest zgodnie z niniejszą gwarancją wyraźnie ograniczona do ceny kupna lub kosztów naprawy lub wymiany (w zależności od tego, która z tych kwot będzie niższa) elementów uszkodzonych podczas normalnego użytkowania.

Adam Hall nie ponosi odpowiedzialności za żadne szkody spowodowane przez produkt lub jego nieprawidłowe działanie, włącznie z utraconym zyskiem i niepowstałymi oszczędnościami oraz szkodami szczególnymi, pośrednimi i wynikowymi. Ponadto Adam Hall nie ponosi odpowiedzialności za roszczenia prawne osób trzecich ani roszczenia zgłoszone przez klienta w imieniu osób trzecich.

Niniejsze ograniczenie odpowiedzialności obowiązuje niezależnie od tego, czy szkody są dochodzone na drodze sądowej lub czy roszczenia odszkodowawcze wnoszone są w ramach niniejszej gwarancji w wyniku niedozwolonych działań (włącznie z niedbalstwem i odpowiedzialnością z tytułu zagrożenia) lub w wyniku roszczeń umownych lub innych. Nie może ono zostać także przez nikogo zniesione ani zmienione. Niniejsze ograniczenie odpowiedzialności obowiązuje także wówczas, gdy klient poinformuje firmę Adam Hall lub autoryzowanego przedstawiciela firmy Adam Hall o możliwości wystąpienia takich szkód, nie obowiązuje natomiast w przypadku roszczeń odszkodowawczych związanych ze szkodami na osobie.

Niniejsza gwarancja producenta przyznaje klientowi określone prawa. W zależności od jurysdykcji (państwo lub kraj związkowy) klientowi może przysługiwać prawo zgłoszenia dalszych roszczeń. W takich przypadkach zaleca się zastosowanie odpowiednich przepisów umożliwiających skorzystanie z pełni przysługujących danej osobie praw.

SKORZYSTANIE Z GWARANCJI

W razie wystąpienia przypadku objętego gwarancją należy zwrócić się bezpośrednio do firmy Adam Hall lub do autoryzowanego sprzedawcy, u którego produkt został zakupiony.

DEKLARACJA ZGODNOŚCI WE

Sprzedawane przez firmę Adam Hall urządzenia są zgodne z podstawowymi wymogami i pozostałymi obowiązującymi specyfikacjami określonymi dyrektywami 1999/5/WE (R&TTE), 2004/108/WE (EMC) i 2006/95/WE (LVD) (o ile mają zastosowanie). Dalsze informacje dostępne są na stronie www.adamhall.com.

DEKLARACJE PRODUCENTA:

PRAWIDŁOWA UTYLIZACJA NINIEJSZEGO PRODUKTU

(dotyczy Unii Europejskiej i innych krajów europejskich, w których stosuje się segregację odpadów)



Niniejszy symbol na produkcie lub związanych z nim dokumentach wskazuje, iż po zakończeniu okresu użytkowania urządzenie nie może być utylizowane razem ze standardowymi odpadami domowymi, ponieważ mogłoby to spowodować szkody w środowisku lub szkody na osobie powstałe w wyniku niekontrolowanego usuwania odpadów. Niniejszy produkt należy utylizować oddzielnie od innych odpadów i przekazać do punktu recyklingu w celu wspierania ruchu okrężnego w gospodarce w ramach idei zrównoważonego rozwoju.

Klienci prywatni otrzymują informacje w zakresie przyjaznych dla środowiska możliwości usuwania odpadów od sprzedawcy, u którego produkt został zakupiony, lub w odpowiednich placówkach regionalnych. Użytkownicy będący przedsiębiorcami proszeni są o kontakt ze swoimi dostawcami i ewentualne sprawdzenie uzgodnionych umownie warunków utylizacji urządzeń. Niniejszy produkt nie może być utylizowany razem z innymi odpadami przemysłowymi.

OCHRONA ŚRODOWISKA I OSZCZĘDZANIE ENERGII

Oszczędzanie energii stanowi aktywny wkład w ochronę środowiska. Należy wyłączać wszystkie nieużywane urządzenia elektryczne. Aby zapobiec zużyciu prądu przez nieużywane urządzenia znajdujące się w trybie czuwania (standby), należy wyjąć wtyczkę z gniazda sieciowego.

Adam Hall GmbH, wszystkie prawa zastrzeżone. Dane techniczne i funkcjonalne produktu mogą podlegać modyfikacjom. Kopiowanie, tłumaczenie i pozostałe formy reprodukcji fragmentów lub całości tej instrukcji obsługi są zabronione.

ENGLISH

DEUTSCH

FRANCAIS

ESPAÑOL

POLSKI

ITALIANO

Avete fatto la scelta giusta!

Quest'apparecchio è stato sviluppato e prodotto secondo elevati standard qualitativi che garantiscono un funzionamento regolare per molti anni. Per questo motivo LD Systems, con il suo nome e la pluriennale esperienza, rappresenta un'azienda produttrice di prodotti audio di qualità.

Leggete attentamente questo manuale d'uso per utilizzare al meglio il vostro nuovo prodotto LD Systems.

Per maggiori informazioni su LD SYSTEMS, consultate la nostra pagina web WWW.LD-SYSTEMS.COM

Introduzione

Il sistema PA a colonne MAUI11MIX di LD Systems è concepito per uso professionale ed è caratterizzato da componenti di alta qualità, finale di potenza comandato con DSP, crossover a 3 vie e un suono equilibrato sull'intera gamma di frequenze.

Il LD LECC DSP offre funzioni di elaborazione digitale del segnale quali crossover, equalizzatore, compressore e limitatore che si adattano perfettamente al sistema PA MAUI11MIX e assicurano il raggiungimento delle migliori prestazioni audio del sistema in ogni momento. Poiché questo sistema "plug-and-play" non necessita di cavi o stativi supplementari, si può montare e smontare in modo facile e veloce.

LD MAUI11MIX(W)

SISTEMA COMPATTO PA ATTIVO A COLONNE
CON UNITÀ MIXER A 3 CANALI



MISURE PRECAUZIONALI:

1. Leggere attentamente il presente manuale di istruzioni.
2. Conservare tutte le indicazioni e le istruzioni in un luogo sicuro.
3. Seguire le istruzioni.
4. Rispettare tutte le avvertenze. Non rimuovere dal dispositivo le indicazioni sulla sicurezza o altre informazioni.
5. Utilizzare il dispositivo solo nei modi previsti dal manuale.
6. Utilizzare esclusivamente stativi e fissaggi stabili e adatti (per installazioni fisse). Verificare che i supporti a parete siano installati e fissati a regola d'arte. Verificare che il dispositivo sia installato in modo stabile e non possa cadere.
7. Durante l'installazione, osservare le normative sulla sicurezza in vigore nel proprio Paese.
8. Non installare né azionare il dispositivo in prossimità di radiatori, accumulatori termici, stufe o altre fonti di calore. Accertarsi che il dispositivo sia sempre installato in modo che venga raffreddato a sufficienza e non possa surriscaldarsi. Evitare l'esposizione diretta ai raggi solari.
9. Non appoggiare sul dispositivo fonti di combustione, quali candele accese.
10. Le fessure di areazione non devono essere bloccate.
11. Non attivare il dispositivo nelle immediate vicinanze di acqua (questo punto non interessa i dispositivi specifici per l'esterno, per i quali valgono le speciali indicazioni riportate di seguito). Non portare mai il dispositivo a contatto con materiali, liquidi o gas infiammabili.
12. Accertarsi che all'interno del dispositivo non possa penetrare acqua per gocciolamento o spruzzo. Non collocare sul dispositivo oggetti contenenti liquidi, quali vasi, tazze o bicchieri.
13. Assicurarsi che non sia possibile la caduta di oggetti nel dispositivo.
14. Azionare il dispositivo esclusivamente con gli accessori appositamente consigliati e previsti dal produttore.
15. Non aprire né modificare il dispositivo.
16. Una volta collegato il dispositivo, verificare tutti i cavi per evitare danni o incidenti, ad esempio per inciampo.
17. Durante il trasporto, assicurarsi che il dispositivo non possa cadere e causare possibili danni a cose e/o persone.
18. Se il dispositivo non funzionasse più correttamente, vi fosse caduto sopra del liquido o un oggetto o fosse stato danneggiato in altro modo, spegnerlo immediatamente e staccare la spina (se si tratta di un dispositivo attivo). La riparazione del dispositivo deve essere affidata esclusivamente a personale qualificato autorizzato.
19. Per la pulizia del dispositivo utilizzare un panno pulito.
20. Rispettare le leggi sullo smaltimento in vigore nel Paese di installazione. Al momento di smaltire l'imballo, separare la plastica dalla carta e dal cartone.
21. I sacchetti di plastica devono essere tenuti lontani dalla portata dei bambini.

DISPOSITIVI CON ALLACCIAMENTO DI RETE:

22. **ATTENZIONE:** se il cavo di rete è dotato di protezione, deve essere collegato a una presa di rete con messa a terra. Non disattivare mai la connessione di messa a terra di un cavo di rete.
23. Non accendere il dispositivo subito dopo essere stato sottoposto a forti variazioni di temperatura (ad esempio dopo il trasporto). Umidità e condensa potrebbero danneggiare il dispositivo. Accendere il dispositivo solo dopo che ha raggiunto la temperatura ambiente.
24. Prima di collegare il dispositivo alla presa, controllare innanzitutto se la tensione e la frequenza della rete elettrica coincidono con i valori indicati sul dispositivo stesso. Nel caso di dispositivo munito di selettore di tensione, collegarlo alla presa unicamente se i valori del dispositivo coincidono con quelli della rete elettrica. Se il cavo di rete o l'adattatore di rete forniti in dotazione non sono compatibili con la presa, rivolgersi a un elettricista.
25. Non calpestare il cavo di rete. Accertarsi che i cavi sotto tensione, in particolare della presa di rete o dell'adattatore di rete, non vengano pizzicati.
26. Durante il cablaggio del dispositivo, verificare sempre che il cavo di rete e l'adattatore di rete siano costantemente accessibili. Staccare sempre il dispositivo dall'alimentazione di rete quando non è utilizzato o durante la pulizia. Per staccare dalla presa il cavo di rete e l'adattatore di rete, tirare sempre dalla spina o dall'adattatore e

SICUREZZA:

ENGLISH

DEUTSCH

FRANCAIS

ESPAÑOL

POLSKI

ITALIANO

non dal cavo. Non toccare mai il cavo di alimentazione e l'alimentatore con le mani umide.

27. Evitare per quanto possibile di accendere e spegnere velocemente il dispositivo per non pregiudicarne la durata.

28. **NOTA IMPORTANTE:** Sostituire i fusibili esclusivamente con fusibili dello stesso tipo e valore. Se un fusibile continua a saltare, rivolgersi a un centro di assistenza autorizzato.

29. Per staccare completamente il dispositivo dalla rete elettrica, rimuovere il cavo di rete o l'adattatore di rete dalla presa.

30. Per staccare un dispositivo provvisto di presa Volex, è prima necessario sbloccare la relativa spina Volex del dispositivo stesso. Tirando il cavo di rete, però, il dispositivo potrebbe spostarsi e cadere, provocando danni alle persone o di altro genere. Prestare quindi la più scrupolosa attenzione durante la posa dei cavi.

31. In caso di pericolo di caduta di fulmine, o se il dispositivo rimane inutilizzato a lungo, staccare sempre il cavo di rete e l'adattatore di rete dalla presa.



ATTENZIONE:

non togliere mai il coperchio di protezione per evitare il pericolo di scosse elettriche. L'interno del dispositivo non contiene parti che possono essere riparate o sottoposte a manutenzione da parte dell'utente. Le riparazioni dovranno essere realizzate esclusivamente da tecnici qualificati.



Il triangolo isoscele con il simbolo del fulmine indica la presenza nel dispositivo di tensioni non isolate, "pericolose", che possono provocare scosse dannose alla salute.



Il triangolo isoscele con punto esclamativo avverte di importanti segnalazioni relative all'uso e alla manutenzione.

ATTENZIONE: ELEVATI LIVELLI SONORI NEI PRODOTTI AUDIO!

Questo dispositivo è destinato a uso professionale. Di conseguenza, se viene destinato ad un uso commerciale, sarà soggetto alle norme e ai regolamenti dell'Associazione per la prevenzione di infortuni del rispettivo settore professionale. In qualità di produttore, Adam Hall è tenuto per legge a informare espressamente gli utenti degli eventuali rischi per la salute.

Danni all'udito provocati da un'esposizione prolungata a un livello SPL elevato: dall'utilizzo di questo prodotto si possono generare elevati livelli di pressione sonora (SPL) che possono provocare danni irreparabili all'udito di artisti, collaboratori e spettatori. Evitare l'esposizione prolungata a livelli sonori elevati, superiori a 90 dB.



Per evitare possibili danni all'udito, evitare l'ascolto ad un volume elevato per periodi prolungati. L'esposizione al volume elevato può causare danni all'udito anche se è di breve durata. Mantenere sempre il volume ad un livello gradevole.

INSTALLAZIONE, CONNESSIONE E **MESSA IN FUNZIONE:**

NOTE GENERALI

Prima di essere messo in funzione, il subwoofer del sistema PA MAU11MIX di LD Systems deve essere collocato in posizione verticale su una superficie piana, facendolo appoggiare sui suoi piedini in gomma. Non utilizzare mai il sistema quando si trova su un carrello di trasporto per evitare che l'intero sistema si muova in modo incontrollato provocando possibili danni e infortuni. Gli elementi di raffreddamento del finale di potenza sono fessure di areazione intagliate nel pannello posteriore del subwoofer, nella zona delle connessioni. Per consentire una sufficiente dissipazione del calore durante l'uso dell'apparecchio, mantenere una distanza di 50 cm tra il pannello posteriore del subwoofer e altri oggetti, pareti ecc.

Assicurarsi che il sistema e tutti i dispositivi collegati, come mixer, lettori CD ecc., siano connessi correttamente tra di loro e all'alimentazione elettrica. Utilizzare esclusivamente cavi integri, con una sezione adeguata e svolgere sempre completamente gli avvolgicavi. Se del caso, utilizzare pressacavi per evitare di inciampare in cavi liberi a pavimento. Non posizionare mai il dispositivo direttamente su un bordo. Non collocare il subwoofer su un tavolo. Per evitare rumori fastidiosi all'accensione e allo spegnimento dei dispositivi collegati, è consigliabile aver cura di accendere sempre il sistema per ultimo e di spegnerlo per primo.

INSTALLAZIONE

Il sistema PA MAU11MIX di LD Systems è costituito da questi due componenti:

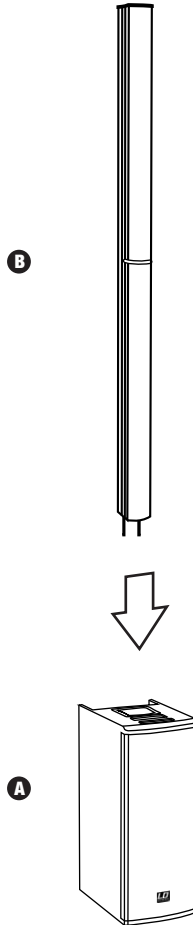
- A. Subwoofer con elettronica integrata per i due componenti del sistema.
- B. Array verticale a colonna con otto altoparlanti da 3", un tweeter e una connessione multipin alla base.

Una volta collocato il subwoofer in posizione, l'array verticale a colonna viene inserito nel subwoofer. Due robusti perni di acciaio garantiscono il perfetto accoppiamento dei connettori multipin con i due componenti.

CONNESSIONE E ACCENSIONE

Si può regolare sia il volume complessivo del sistema sia quello del subwoofer in rapporto con il volume complessivo. I dispositivi di riproduzione si possono collegare con cavi bilanciati o non bilanciati (XLR/jack da 6,3 mm/RCA). Il mixer integrato a 3 canali dispone di un ingresso microfono, un ingresso strumenti ad alta impedenza, ad esempio per una chitarra elettrica, e ingressi per dispositivi di riproduzione con livello di linea.

INSTALLAZIONE, CONNESSIONE E **MESSA IN FUNZIONE:**



ENGLISH

DEUTSCH

FRANCAIS

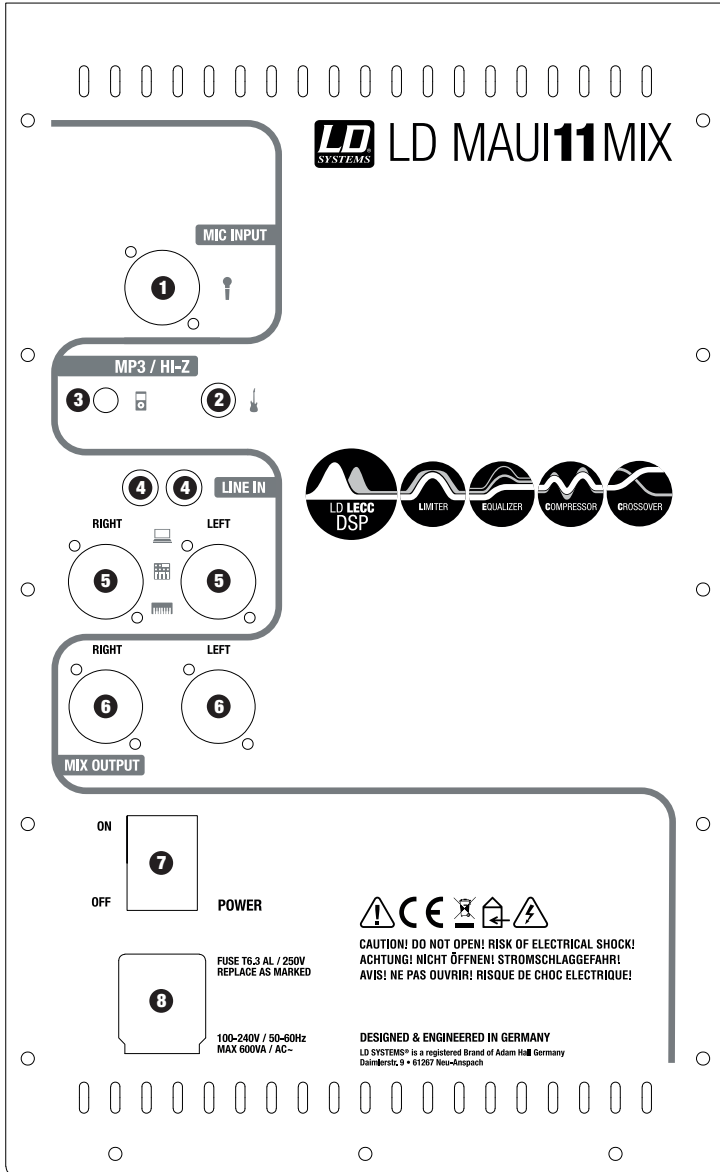
ESPAÑOL

POLSKI

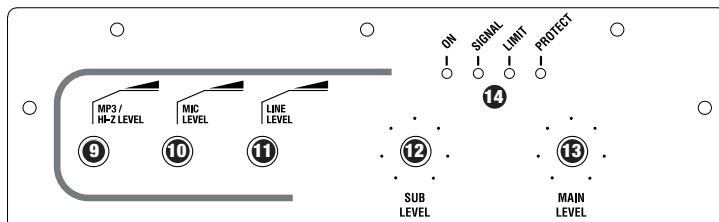
ITALIANO

CONNESSIONI, DISPOSITIVI E VISUALIZZAZIONE:

- ENGLISH
- DEUTSCH
- FRANCAIS
- ESPAÑOL
- POLSKI
- ITALIANO



CONNESSIONI, DISPOSITIVI E VISUALIZZAZIONE:



ENGLISH

DEUTSCH

FRANCAIS

ESPAÑOL

POLSKI

ITALIANO

1 MIC INPUT

Ingresso microfono bilanciato (combo XLR/jack da 6,3 mm). È anche possibile utilizzare un cavo microfono non bilanciato (jack mono). L'ingresso del microfono dispone di un filtro integrato da 100 Hz per rumore d'impatto che sopprime i segnali di bassa frequenza indesiderati.

NOTA l'ingresso del microfono non è munito di alimentazione phantom.

2 INGRESSO HI-Z

Ingresso mono con presa jack da 6,3 mm per chitarra acustica o elettrica. Gli ingressi HI-Z ed MP3 possono essere utilizzati contemporaneamente, impostando il rapporto del volume sullo strumento o sul dispositivo di riproduzione.

3 INGRESSO MP3

Ingresso di linea stereo con presa jack da 3,5 mm per un riproduttore MP3 o altro dispositivo di riproduzione. Il segnale audio stereo viene emesso dall'uscita MIX OUTPUT (LEFT/RIGHT) convertendosi internamente in mono. Gli ingressi HI-Z ed MP3 possono essere utilizzati contemporaneamente, impostando il rapporto del volume sullo strumento o sul dispositivo di riproduzione.

4 LINE IN (LEFT/RIGHT) (RCA)

Ingresso di linea non bilanciato con prese RCA (sinistra/destra) per il collegamento di un dispositivo di riproduzione (come laptop, lettore CD). Il segnale audio stereo viene emesso dall'uscita MIX OUTPUT (LEFT/RIGHT) convertendosi internamente in mono.

5 LINE IN (LEFT/RIGHT) (XLR)

Ingresso di linea bilanciato con presa combo XLR/jack da 6,3 mm, (sinistro/destro) per il collegamento di un dispositivo di riproduzione (ad es. mixer, tastiera). Il segnale audio stereo viene emesso dall'uscita MIX OUTPUT (LEFT/RIGHT) convertendosi internamente in mono.

6 MIX OUTPUT LEFT/RIGHT

Questa uscita stereo XLR bilanciata è indipendente dal controllo MAIN LEVEL e predispone il segnale missato ottenuto dai segnali di input di microfono, HI-Z/MP3 e linea.

7 POWER

Interruttore luminoso di accensione/spegnimento per l'alimentazione elettrica dell'apparecchio. Prima di accendere/spegnere, posizionare sempre il volume generale su zero (MAIN LEVEL tutto a sinistra).

CONNESSIONI, DISPOSITIVI E VISUALIZZAZIONE:

ENGLISH

DEUTSCH

FRANCAIS

ESPAÑOL

POLSKI

ITALIANO

8 PRESA DI RETE

Presà di rete IEC (Volex) con portafusibili integrato. In dotazione viene fornito un cavo di rete adatto. Per sbloccare la spina del dispositivo, premere il pulsante giallo sul connettore.

NOTA IMPORTANTE: sostituire il fusibile solo con un fusibile dello stesso tipo e con gli stessi valori. Se il fusibile continua a saltare, rivolgersi a un centro di assistenza autorizzato.

9 MP3/HI-Z LEVEL

Regolatore del volume per il canale MP3/HI-Z. I due ingressi HI-Z e MP3 si possono utilizzare contemporaneamente. Il rapporto del volume deve essere impostato sui dispositivi di riproduzione.

10 MIC LEVEL

Regolatore di volume audio per il canale microfono.

11 LINE LEVEL

Regolatore del volume per il canale di linea.

12 SUB LEVEL

Impostazione del rapporto di volume del subwoofer e dell'altoparlante a colonna.

13 MAIN LEVEL

Impostazione del volume generale. Il volume dei subwoofer si regola in base alla preimpostazione con il controllo SUB LEVEL.

14 LED

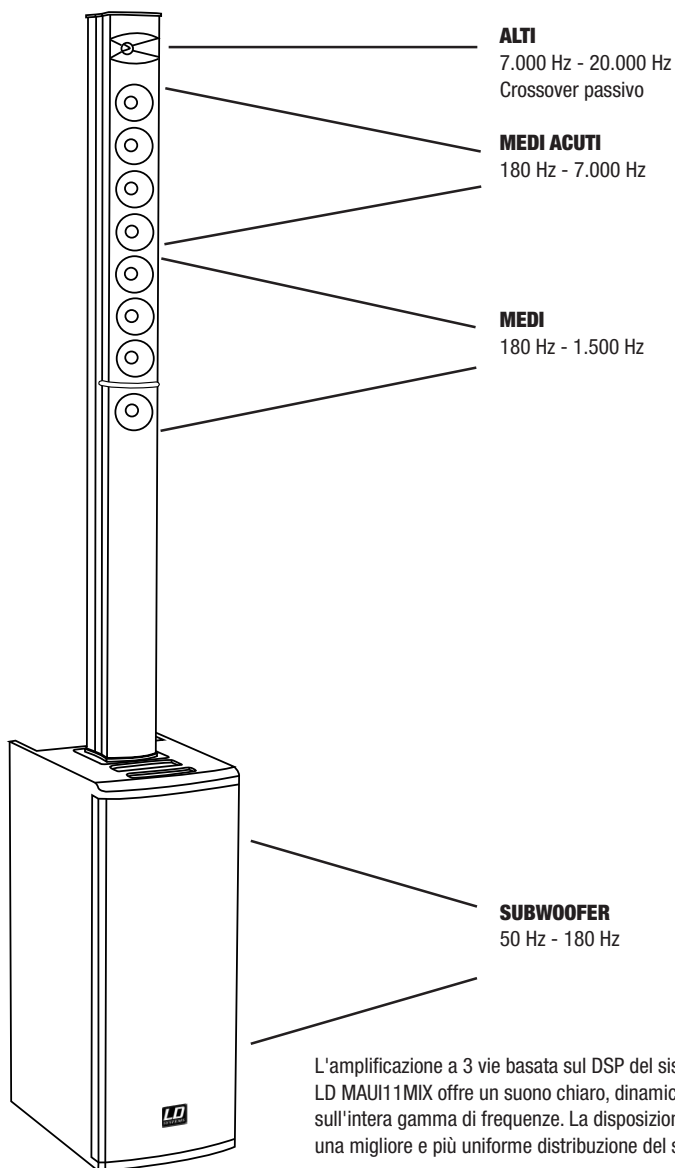
ON: Si accende se il dispositivo è correttamente connesso alla rete elettrica e acceso.

SIGNAL: Si accende quando sul dispositivo compare un segnale audio. Il segnale viene rilevato prima del regolatore MAIN LEVEL.

LIMIT: Si accende quando il sistema di altoparlanti raggiunge la gamma limite. Una breve accensione del LED non è un segnale critico. Per proteggere il sistema, il limitatore integrato regola delicatamente un eccessivo livello di segnale. Se il LED del limitatore lampeggia a lungo o resta acceso, abbassare il volume, altrimenti si possono generare distorsioni nella riproduzione del suono e danni al sistema altoparlanti.

PROTECT: Si accende in caso di sistema sovraccarico o surriscaldato. Gli amplificatori vengono silenziati automaticamente. Una volta raggiunte le normali condizioni di esercizio, dopo qualche minuto il dispositivo torna alla normale modalità di funzionamento.

ASSEGNAZIONE DELLA FREQUENZA:



L'amplificazione a 3 vie basata sul DSP del sistema di altoparlanti LD MAUI11MIX offre un suono chiaro, dinamico ed equilibrato sull'intera gamma di frequenze. La disposizione ad array garantisce una migliore e più uniforme distribuzione del suono in tutta la sala.

ENGLISH

DEUTSCH

FRANCAIS

ESPAÑOL

POLSKI

ITALIANO

SCHEMA A BLOCCHI DSP:

ENGLISH

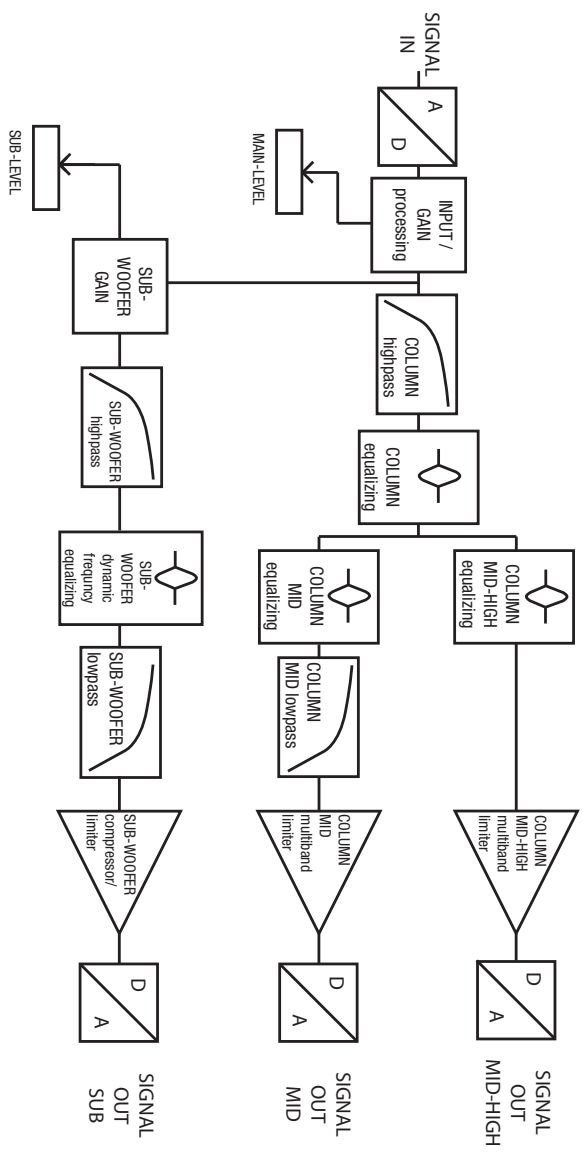
DEUTSCH

FRANCAIS

ESPAÑOL

POLSKI

ITALIANO



LD SYSTEMS LECC DSP:

ENGLISH

DEUTSCH

FRANCAIS

ESPAÑOL

POLSKI

ITALIANO

COSA SIGNIFICA IL NOME LECC DSP DI LD SYSTEMS?

DSP è l'acronimo di Digital Signal Processing (elaborazione digitale dei segnali), mentre LECC sta per Limiter, EQ, Compressor e Crossover (limitatore, equalizzatore, compressore e crossover). L'elaborazione digitale dei segnali ottimizza la riproduzione, assicurandole la massima chiarezza, proteggendo nel contempo il sistema PA dal sovraccarico.

IN CONCRETO, QUALI SONO GLI EFFETTI DEL LECC DSP?

La **funzione limitatore** protegge gli altoparlanti evitando distorsioni da sovraccarico. Le frequenze basse, medie e alte vengono controllate da limitatori indipendenti, che agiscono sul segnale affinché non superi un determinato valore con possibili conseguenze negative. Ogni limitatore è ottimizzato per una delle tre bande di frequenza integrate adiacenti (limitatore multibanda). Il livello di pressione sonora ottenuto in questo modo è maggiore dal momento che i picchi di segnale estremi vengono automaticamente indeboliti senza la necessità di ridurre il volume complessivo del sistema.

L'**equalizzatore multibanda** elabora tutte le bande di frequenza e ottimizza il suono complessivo del sistema.

Il **compressore** si attiva automaticamente per dare evidenza ai gravi e ottenere un suono più potente. Con il progressivo aumento del volume, il bass-boost diminuisce proporzionalmente. Il risultato è una risposta dei gravi controllata automaticamente e sempre perfettamente calibrata.

I **crossover** assegnano il segnale audio al relativo altoparlante in base alle bande di frequenza, vale a dire al subwoofer e agli altoparlanti dei medi e degli acuti dell'array a colonna. Sono ottimizzati in termini di ampiezza e ritardo, il che si traduce in frequenze coordinate che gli ascoltatori ricevono in modo simultaneo.

SPECIFICHE:

Nome del modello:	LDMAUI11MIX(W)
Tipo di prodotto:	Sistema PA completo
Tipo:	Attivo
Colore:	Nero (LDMAUI11MIX) Bianco (LDMAUI11MIXW)
SPL max (continuo):	114 dB
SPL max (picco):	122 dB
Risposta in frequenza:	50 Hz - 20.000 Hz
Angolo di dispersione (H x V):	120 (media, orizzontale)
Altezza totale:	1.950 mm
Peso totale:	23,6 kg
Caratteristiche:	LECC-DSP, due robusti perni di acciaio garantiscono il perfetto accoppiamento tra subwoofer e array a colonna
Subwoofer	
Dimensioni woofer:	2 x 6,5"
Dimensioni woofer:	2 x 165,1 mm
Magnete woofer:	Ferrite
Marca woofer:	Custom Made
Design cassa:	Struttura a V, bass reflex
Materiale cassa:	Compensato 15 mm
Superficie cassa:	Lacca PA
Dimensioni subwoofer (L x H x P):	256 x 650 x 355 mm
Peso del subwoofer:	17 kg
Caratteristiche del subwoofer:	Maniglia ergonomica a incasso, connettore multipin customizzato per array verticale

SPECIFICHE:

ENGLISH

DEUTSCH

FRANCAIS

ESPAÑOL

POLSKI

ITALIANO

Sistema toni medi/alti	
Dimensioni altoparlante toni medi:	8 x 3"
Dimensioni altoparlante toni medi:	8 x 76 mm
Magnete altoparlante toni medi:	Neodimio
Marca altoparlante toni medi:	Custom Made
Dimensioni tweeter:	1"
Dimensioni tweeter:	25 mm
Magnete tweeter:	Neodimio
Marca tweeter:	Custom Made
Ingressi altoparlante:	1
Conessioni di ingresso dell'altoparlante:	Connettore multipin customizzato
Modello cassa sistema toni medi/alti:	Chiuso
Materiale cassa sistema toni medi/alti:	Alluminio
Superficie cassa sistema toni medi/alti:	Verniciatura a polveri
Dimensioni sistema toni medi/alti (L x H x P):	94 x 1.300 x 95 mm
Peso del sistema medi/alti:	6,6 kg
Caratteristiche sistema toni medi/alti:	Array verticale con amplificazione a 2 vie ed eccellente dispersione sonora

SPECIFICHE:

Modulo amplificatore	
Amplificatore:	A 3 vie classe D
Sistema performance amplificatore (RMS):	300 W
Sistema performance amplificatore (picco):	1200 W
Protezioni:	Limitatore multibanda, sovratensione, cortocircuito
Raffreddamento:	Passivo
Dispositivi di comando:	Main Level, Sub Level, Mic Level, Line Level, MP3/Hi-Z Level, interruttore di accensione/spegnimento
Indicatori:	LED per: On, Signal, Limit, Protect
Collegamento alla rete:	Presa di rete IEC
Alimentazione:	Alimentatore switching
Tensione di esercizio:	100 V AC - 120 V AC, 50 - 60 Hz 200 V AC - 240 V AC, 50 - 60 Hz (commutazione automatica)
Assorbimento di potenza (max):	600 VA
Ingressi di linea stereo:	2
Connessioni di ingresso di linea:	Combo XLR/jack da 6,3 mm, RCA
Ingressi microfono:	1
Connessioni di ingresso microfono:	Combo XLR/jack da 6,3 mm
Ingressi HI-Z:	1
Connessioni ingresso HI-Z:	Jack da 6,3 mm
Ingressi lettore MP3:	1
Connessioni ingressi lettore MP3:	jack stereo da 3,5 mm
Uscite di linea stereo:	1
Collegamenti uscita di linea:	n. 2 XLR maschi
Uscite altoparlante:	1
Connessioni di uscita dell'altoparlante:	Multipin customizzato

SPECIFICHE:

ENGLISH

DEUTSCH

FRANCAIS

ESPAÑOL

POLSKI

ITALIANO

Modulo amplificatore	
Funzioni DSP:	Limitatore, equalizzatore, compressore, crossover
Risoluzione A/D - D/A:	24 bit - 24 bit
Frequenza di campionamento:	48 kHz
Rapporto segnale/rumore:	100 dB

DICHIARAZIONI DEL PRODUTTORE:

GARANZIA DEL PRODUTTORE

Questa garanzia copre il prodotto Adam Hall della marca LDSYSTEMS da Lei acquistato. I diritti legali di garanzia verso il venditore non sono oggetto della presente garanzia. Questa garanzia costituisce piuttosto la base di altri diritti verso Adam Hall.

Con la presente garanzia, Adam Hall assicura che il prodotto acquistato presso Adam Hall o un partner di Adam Hall, in normali condizioni d'uso resterà privo di difetti di materiale e di lavorazione per un periodo di 2 anni dalla data di acquisto. Il periodo di garanzia inizia con la data dell'acquisto. La certificazione della data di acquisto, necessaria a rendere valido il diritto ai servizi di garanzia, avviene attraverso lo scontrino oppure con la bolla di spedizione riportanti la data di acquisto. L'acquirente ha diritto al servizio di garanzia alle condizioni e secondo le disposizioni riportate in questo documento, qualora sia necessaria una riparazione durante il periodo di durata della garanzia.

Questa garanzia vale solo per l'acquirente originale del prodotto distribuito da Adam Hall e non è trasferibile a terzi cui sia stata trasferita la proprietà del prodotto Adam Hall da parte dell'acquirente originale.

Durante il periodo di validità della garanzia, i componenti difettosi o il prodotto Adam Hall vengono riparati o sostituiti. Tutti i componenti sostituiti e/o rimossi durante la presente garanzia diventano proprietà di Adam Hall.

Nell'improbabile caso in cui il prodotto Adam Hall acquistato presenti ripetutamente un difetto, Adam Hall può decidere, a propria discrezione, di sostituire il suddetto prodotto con un prodotto simile che offra almeno le stesse prestazioni.

Adam Hall non garantisce il funzionamento privo di guasti o difetti del prodotto. Adam Hall esclude qualsiasi responsabilità per danni attribuibili alla mancata osservanza delle istruzioni incluse nella dotazione.

Questa garanzia non è estesa a quanto segue:

- Parti soggette ad usura (ad es. batteria, tubi)
- Apparecchi di cui sia stato rimosso o danneggiato il numero di serie o sui quali siano insorti difetti in conseguenza di un incidente
- Utilizzo non conforme o errato o altre cause esterne
- Apparecchi che non siano stati utilizzati conformemente ai parametri di esercizio, stabiliti nei documenti per l'utente inclusi nella dotazione del prodotto
- Apparecchi che siano stati riparati a causa dell'impiego di parti non prodotto
- Apparecchi che siano stati sottoposti a interventi di manutenzione, modifica o riparazione da terzi che non siano Adam Hall o un partner di assistenza autorizzato

Le presenti disposizioni e condizioni costituiscono l'accordo di garanzia completo ed esclusivo tra l'Acquirente e Adam Hall per il prodotto Adam Hall acquistato.

Questa garanzia è valida solo all'interno del territorio europeo. Fuori dall'Europa, si prega di rivolgersi ai nostri partner rivenditori ufficiali.

DICHIARAZIONI DEL PRODUTTORE:

ENGLISH

DEUTSCH

FRANCAIS

ESPAÑOL

POLSKI

ITALIANO

LIMITAZIONE DI RESPONSABILITÀ

Laddove nei prodotti hardware Adam Hall insorgessero difetti di materiale o di fabbricazione (in conformità con la dichiarazione di garanzia di cui sopra) durante il periodo di garanzia, il Cliente usufruirebbe, come unico ed esclusivo diritto previsto dalla presente garanzia, della riparazione o sostituzione dell'apparecchio. La massima responsabilità di Adam Hall è limitata, come espressamente indicato nella presente garanzia, al prezzo d'acquisto o ai costi di riparazione o sostituzione (optando per l'importo minore) dei componenti che risultano difettosi nonostante siano stati correttamente utilizzati.

Adam Hall non è responsabile di alcun danno provocato dal prodotto o dal suo malfunzionamento, ivi compresi mancati guadagni, perdite e danni speciali indiretti o conseguenti. Adam Hall inoltre non è responsabile verso reclami presentati da terzi né verso richieste avanzate dal cliente a nome di terzi.

La presente limitazione di responsabilità vale indipendentemente dal fatto che i danni siano oggetto di procedimenti giudiziari o che le richieste di risarcimento danni siano presentate ai sensi della presente garanzia o per atti illeciti (incluse negligenza e responsabilità oggettiva) o per pretese contrattuali o di altra natura, e non può essere né annullata né modificata da nessuno. La presente limitazione di responsabilità è valida anche nel caso in cui l'utente abbia avvisato Adam Hall o un rappresentante autorizzato circa la possibilità di tali danni. Tale limitazione non è però valevole in caso di richieste per risarcimento danni in relazione a danni a persone.

La garanzia del produttore accorda all'Acquirente determinati diritti; possono tuttavia competere ulteriori diritti in funzione della giurisdizione di pertinenza (stato o regione). Si consiglia quindi di consultare le leggi applicabili per determinare in modo esaustivo i propri diritti.

RICORSO ALLA GARANZIA

Per usufruire della garanzia, rivolgersi direttamente ad Adam Hall o al rivenditore autorizzato Adam Hall, presso il quale è stato acquistato il prodotto.

DICHIARAZIONE DI CONFORMITÀ CE

I dispositivi distribuiti da Adam Hall ottemperano (ove del caso) ai requisiti essenziali e ad altre specifiche rilevanti delle direttive 1999/5/CE (R&TTE - Apparecchiature radio e apparecchiature terminali di telecomunicazione), 2004/108/CE (EMC - Compatibilità elettromagnetica) e 2006/95/CE (LVD - Materiale elettrico a bassa tensione). Per ulteriori informazioni, consultare il sito www.adamhall.com.

DICHIARAZIONI DEL PRODUTTORE:

CORRETTO SMALTIMENTO DEL PRODOTTO

(In vigore nell'Unione Europea e in altri paesi europei in cui si attui la raccolta differenziata)



Questo simbolo apposto sul prodotto o sui relativi documenti indica che, per evitare danni all'ambiente e alle persone causati da uno smaltimento incontrollato dei rifiuti, alla fine del suo ciclo di vita l'apparecchio non deve essere smaltito insieme ai normali rifiuti domestici. Il prodotto deve quindi essere smaltito separatamente da altri rifiuti e riciclato nell'ottica dell'incentivazione di cicli economici sostenibili.

I clienti privati possono richiedere informazioni sulle possibilità di smaltimento ecosostenibile al rivenditore presso il quale è stato acquistato il prodotto o presso le autorità regionali competenti.

I clienti aziendali devono invece contattare il proprio fornitore e controllare le eventuali condizioni contrattuali inerenti allo smaltimento degli apparecchi. Questo prodotto non deve essere smaltito assieme ad altri rifiuti industriali.

PROTEZIONE DELL'AMBIENTE E RISPARMIO ENERGETICO

Il risparmio energetico contribuisce attivamente alla protezione ambientale. Spegnerne tutti i dispositivi elettrici non utilizzati. Staccare la spina dei dispositivi non utilizzati per evitare che consumino corrente in modalità stand-by.

Adam Hall GmbH, tutti i diritti riservati. I dati tecnici e le caratteristiche del prodotto possono essere soggetti a modifiche. È vietata la copia, la traduzione e qualsiasi altra riproduzione delle presenti istruzioni d'uso o di parte di esse senza previa autorizzazione.

ENGLISH

DEUTSCH

FRANCAIS

ESPAÑOL

POLSKI

ITALIANO





WWW.LD-SYSTEMS.COM

Adam Hall GmbH | Daimlerstrasse 9 | 61267 Neu-Anspach | Germany
Tel. +49(0)6081/9419-0 | Fax +49(0)6081/9419-1000
web : www.adamhall.com | e-mail : mail@adamhall.com

