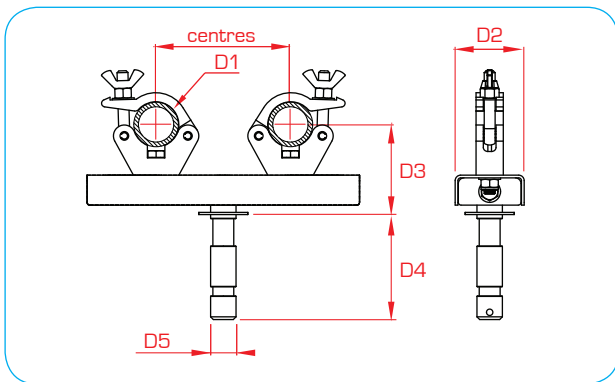
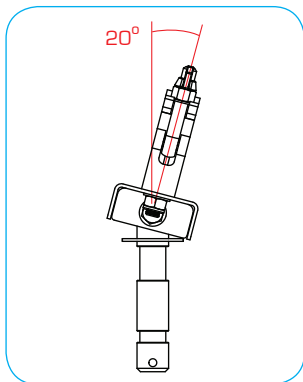


### Swivel Truss Adaptor

SWL	200 Kg
D1	Ø48 - 51mm
D2	76mm
D3	100mm
D4	115mm
D5	Ø28mm



T55704 - 150 - 250mm ctrs  
T55705 - 200 - 400mm ctrs



Suitable for all triangular and square truss sections. The Swivel Truss Adaptor allows one person to rig a truss between two winch stands. Each stand can be raised individually until the required height is achieved.

