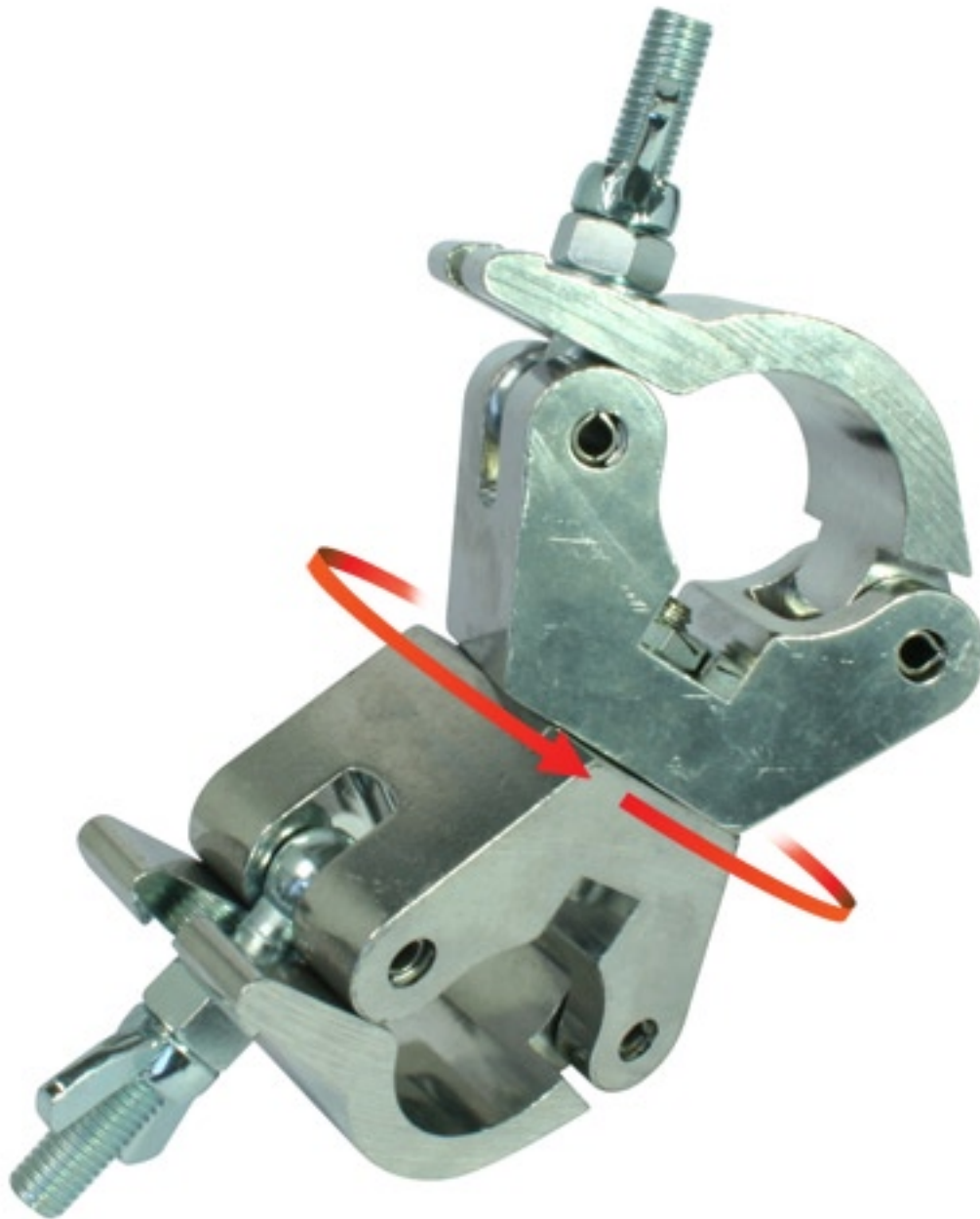




User Manual

www.doughty-engineering.co.uk

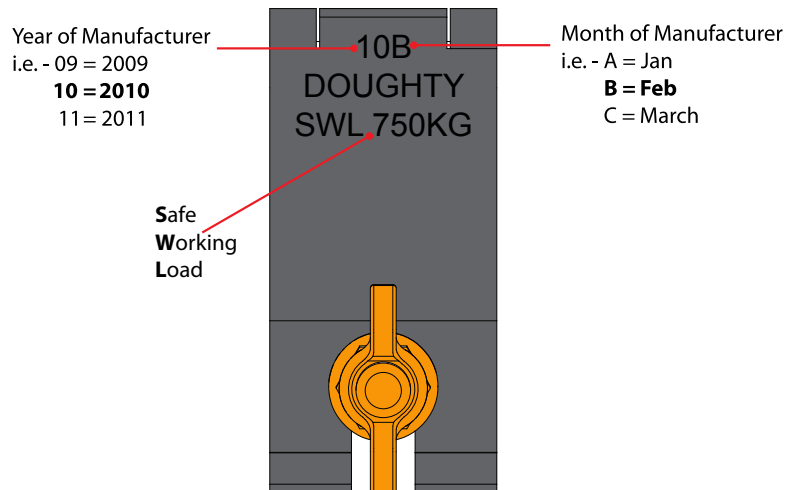
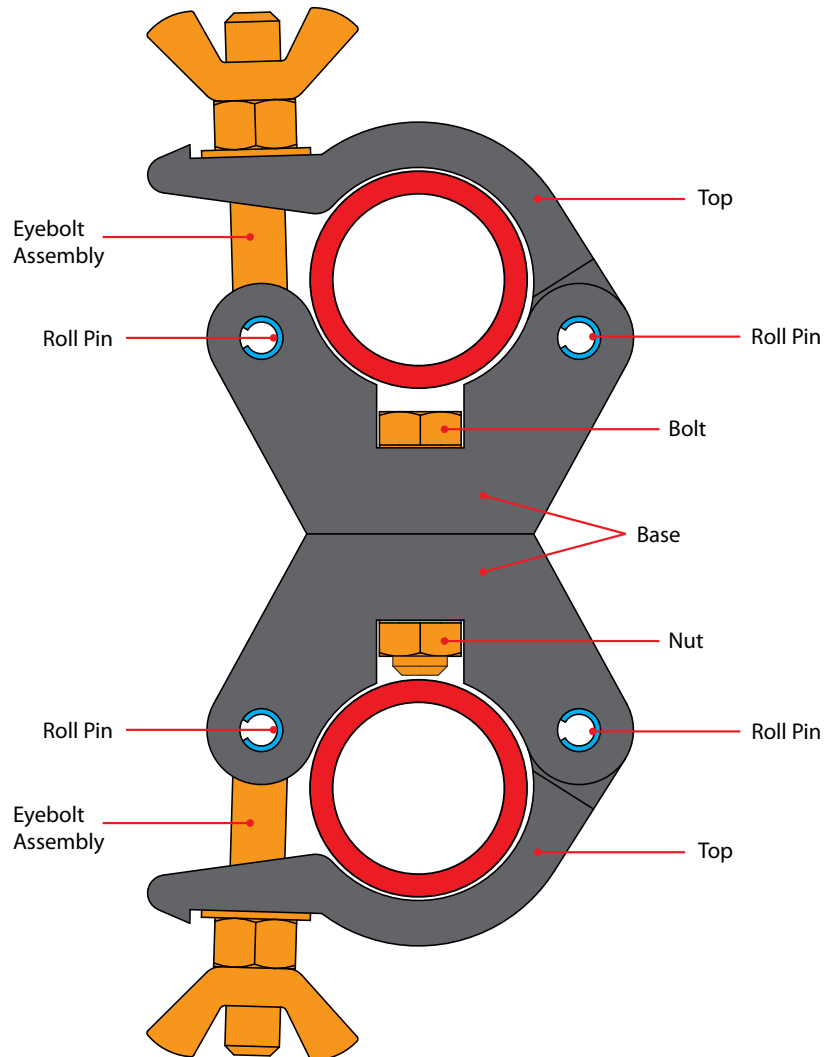
ST57100 ST Swivel Coupler



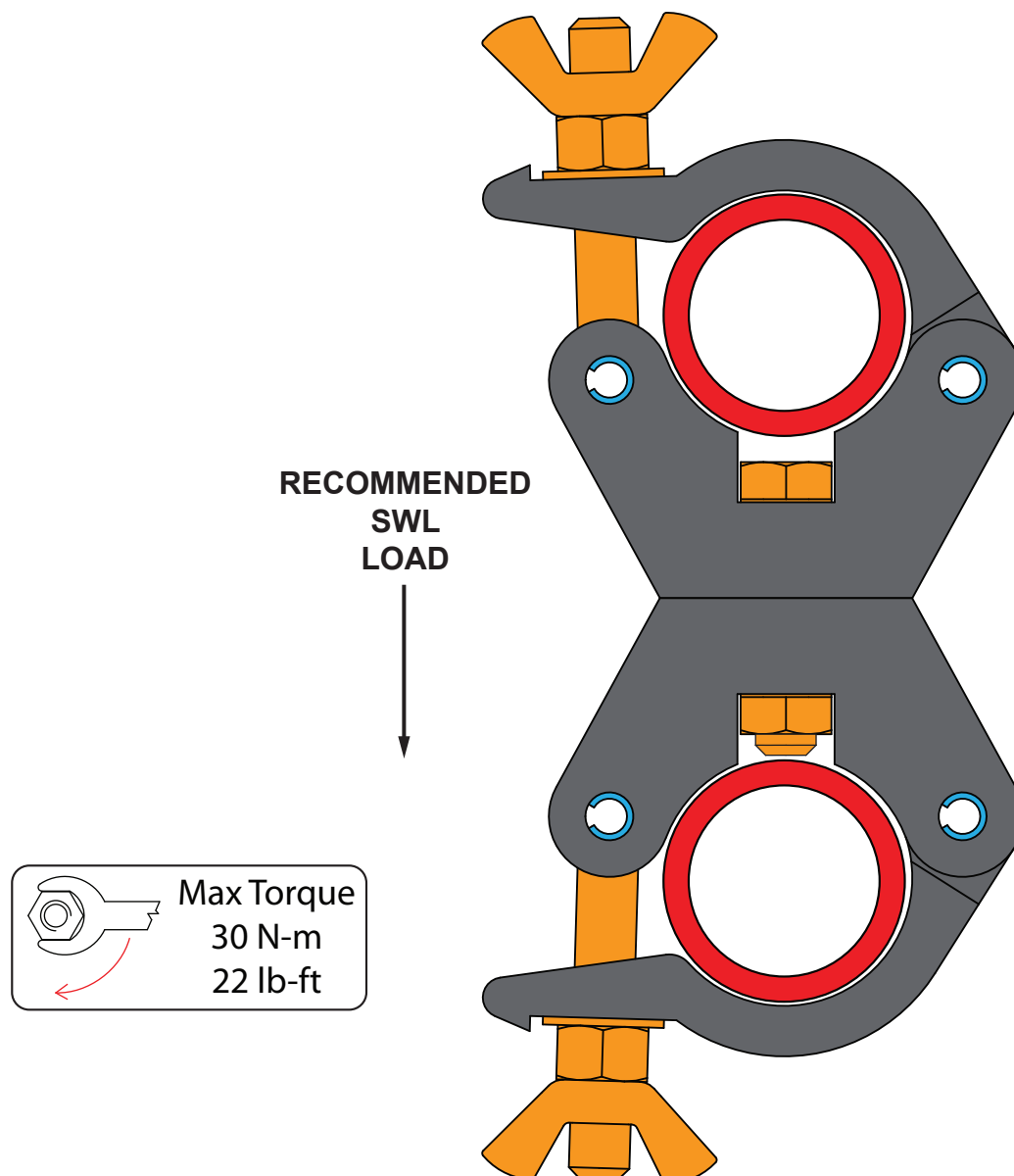
Version 01/11



www.doughty-engineering.co.uk

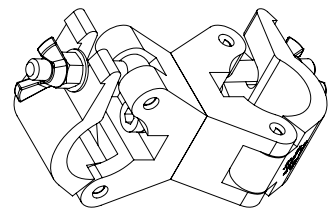
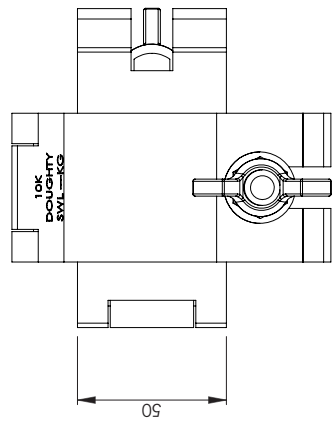
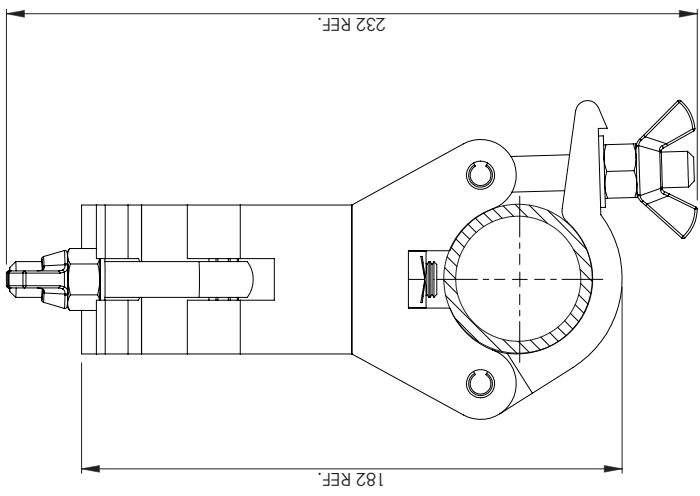
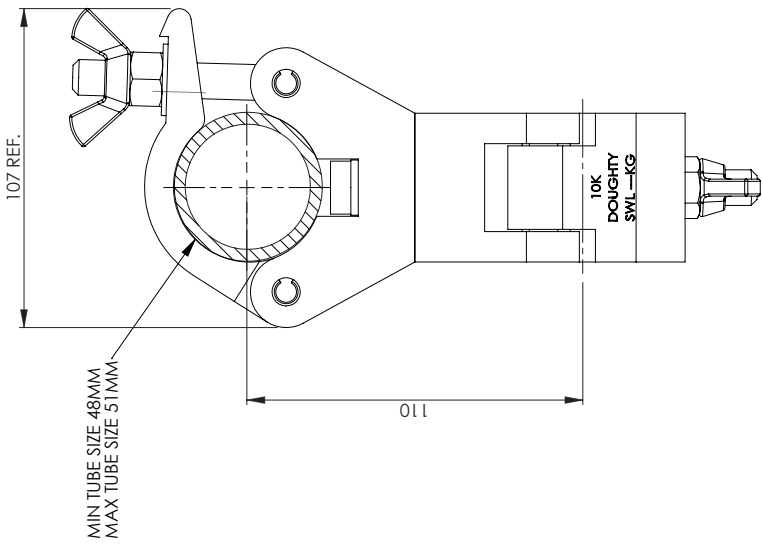
Doughty have developed this clamp with stainless steel fasteners to allow outdoor usage for prolonged periods minimising any galvanic corrosion.

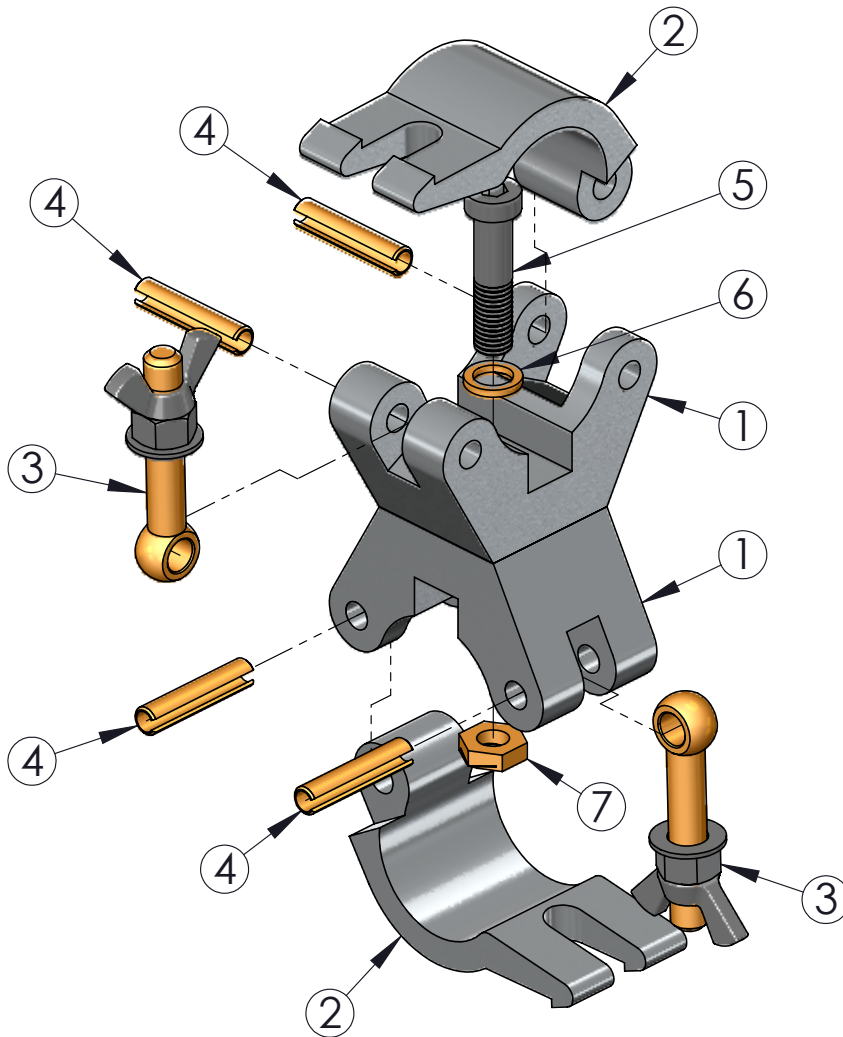


1. Never exceed the Safe Working Load (SWL) shown on the clamp.
2. Only use the clamp within the designed tube parameters (48-51mm)
3. All clamps should be visually inspected before use. In the event of any damage the clamp should be taken out of service and returned to an 'Approved Doughty Service Agent' for inspection. (see our dealer locator on our web site for a comprehensive list of Authorised Service Agents)
4. When used in conjunction with other accessories, care must be taken to ensure that the minimum SWL of any component is not exceeded.
5. Doughty Engineering Ltd does not recommend using any clamps which do not fully encompass the tube for overhanging. All open clamps including hookclamps should be used in a vertical orientation only.



 <p>DOUGHTY ENGINEERING LTD</p>	
<h1>DATA SHEET</h1>	
TITLE:	ST DOUGHTY SWIVEL COUPLER
PART NOS:	ST57100
MATERIAL :	
WEIGHT:	1.33 KG
SWL:	750 KG
FINISH:	POLISHED
NOTES:	PARALLEL AND 90 DEGREE FIXED VERSIONS ARE AVAILABLE
<p>STRICTLY FOR REFERENCE PURPOSES ONLY</p>	
 <p>THIRD ANGLE PROJECTION</p>	





DOUGHTY PRODUCTS MUST ONLY BE SERVICED / REPAIRED BY
AN AUTHORISED SERVICE AGENT.
SPARE PARTS ARE ONLY AVAILABLE TO THESE AGENTS

ITEM NO.	PART NUMBER	DESCRIPTION	Spares/QTY.
1	TH156	MACHINED DOUGHTY CLAMP BASE	2
2	TH157	MACHINED DOUGHTY CLAMP TOP	2
3	ST78000	M12 X 70 STAINLESS STEEL EYEBOLT	2
4	F790	0.375" X 1.75" STAINLESS STEEL ROLL PIN	4
5	S1910	M12x50 Low Head Socket Cap	1
6	TH1083	M12 WASHER - SPACER	1
7	S1920	M12 Reduced Binx Nut	1

ST57100 - ST DOUGHTY SWIVEL COUPLER



NOT TO SCALE

DRAWN

AW

DATE

18/01/2011

Rev

1



Doughty Engineering Limited

CROW ARCH LANE, RINGWOOD, HANTS, BH24 1NZ. ENGLAND

Telephone: +44 (0) 1425 478961 Fax: +44 (0) 1425 474481

www.doughty-engineering.co.uk

email:sales@doughty-engineering.co.uk

EC DECLARATION OF CONFORMITY

Doughty Engineering Limited hereby certify that the equipment stated below has been designed to comply with all relevant sections of the specifications referenced below and complies with all the applicable Essential Requirements of the EC Directives and amendments and the National Laws and Regulations adopting these Directives.

Description: ST Swivel Coupler

Model/s: Part No. ST57100

SWL: 750Kg **Factor:** 5:1

are in conformity with the provision of the following EC Directives:

MACHINERY DIRECTIVE 98/37/EC


Harmonised Standards applied:

EN 292-1-2:1991

BS EN ISO 9001:1994

National Technical Standards & Specifications applied:

BS 7905-1:2001

Signed:  Date:23-04-08

Name: Nigel Curtis Position: Technical Director

Being the responsible person appointed by the manufacturer.



DEQ 083 Rev 4

Company Registration No. London 972614
Registered Office: Crow Arch Lane, Ringwood, Hants, BH24 1NZ
Directors: M.B.Lister. J.C.G. Chiverton. N.D. Curtis. S.C. Wright





Doughty Engineering Ltd

Crow Arch Lane

Ringwood, Hampshire, BH24 1NZ

Tel: +44 (0) 1425 478961 Fax: +44 (0) 1425 474481

email: sales@doughty-engineering.co.uk

Web: www.doughty-engineering.co.uk

Note: Whilst every effort has been made to ensure that the information contained within this manual is correct, Doughty Engineering does not accept any liability for errors or omissions. Specifications and technical data are intended for guidance purposes only and may vary.