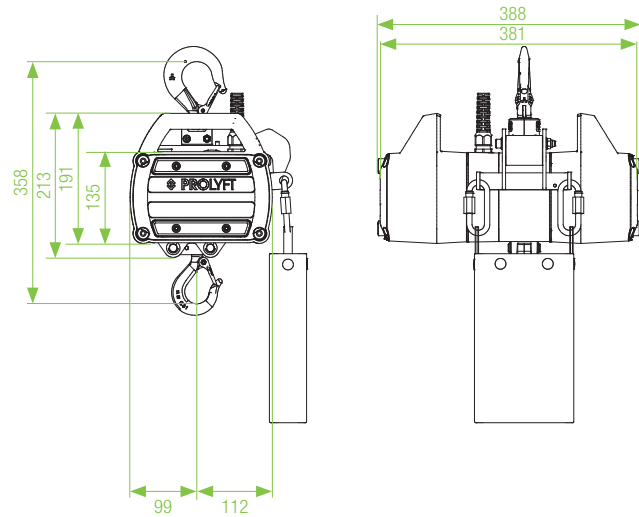
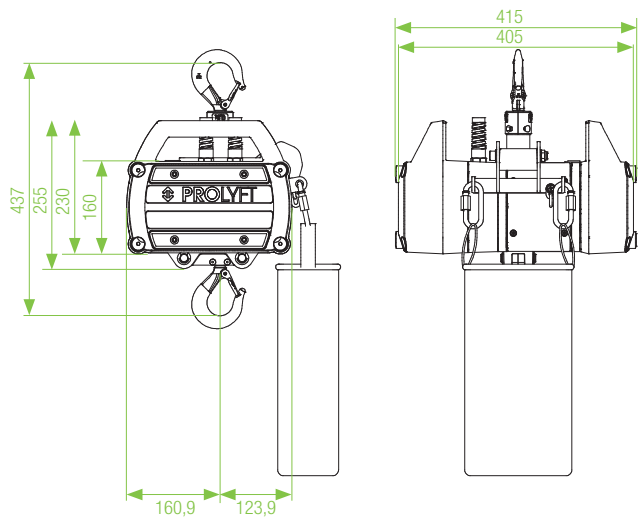


# Aetos technical details

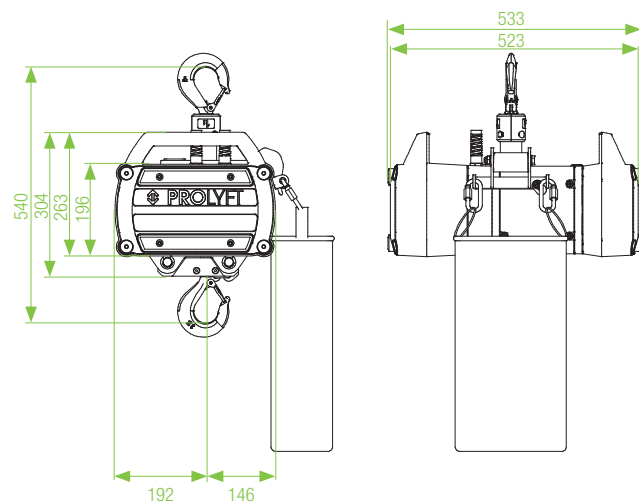
## AETOS 250 KG HOIST



## AETOS 500 KG HOIST



## AETOS 1000 KG HOIST



	250 kg	500 kg	1000 kg
Lifting speed	4m/min	4m/min	4m/min
Operating voltage	230/400V - 50Hz 208/460V - 60Hz	230/400V - 50Hz 208/460V - 60Hz	230/400V - 50Hz 208/460V - 60Hz
Protection Class	IP 55	IP 55	IP 55
Motorpower at 50Hz	0,25 kW	0,33 kW	0,66 kW
Current consumption at full load	0,75 Amp @ 400V 1,3 Amp @ 230V	0,82 Amp @ 400V 1,42 Amp @ 230V	1,46 Amp @ 400V 2,53 Amp @ 230V
FEM Class	1Am	1Am	1Am
FEM Duty factor	50%	50%	50%
Starts per hour	300	300	300
Noise Level	60 dBA	60 dBA	60 dBA
Load Wheel	5 pocket	5 pocket	5 pocket
Load Chain EN 818-7	4,0 x 12,2mm	5,0 x 15,1mm	7,1 x 20,5 mm
Falls of chain	1	1	1
Weight of Chain	0,35 kg	0,53 kg	1,1 kg
Weight of Body	18 kg	28 kg	47 kg
Type of Control	DC and LVC	DC and LVC	DC and LVC
Limit switches	single up/low limitswitches on DC and LVC	single up/low limitswitches on DC and LVC	single up/low limitswitches on DC and LVC
Type of Power Connector	CEE 16A-4p (red)	CEE 16A-4p (red)	CEE 16A-4p (red)
Type of LVC Connector	CEE 10A-4p (yellow)	CEE 10A-4p (yellow)	CEE 10A-4p (yellow)
Low Voltage Control Voltage	24V	24V	24V



## Get Ready for The Next Level



### Get Ready for the Next Level

When Simplicity in Motion is the ultimate goal, there's always a next level to meet. ProLift invites you to take that level further with a product range that is fit to meet the future.

### Made for entertainment

ProLift Aetos hoists are designed to meet the increasingly exacting demands of the entertainment market. These fool proof hoists are designed to withstand rigorous transportation and rough handling, and can be serviced just about anywhere – even if it's 12 metres above the stage!



# ProLift Aetos Range

The Aetos range is fully equipped to meet future demands in lifting equipment and offers clever features and carefully engineered product attributes. It comprises standard 250kg, 500kg and 1000kg hoists and controls.



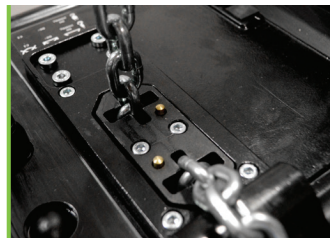
## Extended life, reduced maintenance

ProLift Aetos electrical chain hoists have been carefully engineered for the entertainment industry; specifically designed to endure daily use, extending the typical life expectancy of the hoist and chain.



## Optimised Chain Feeding:

- Specially designed disentangle plate for optimal and jam-free chain feeding
- 90% reduction of locking chains
- Jam-free steel chain guide
- Disentangle plate insert softer than the chain
- Chain bag bracket with integrated dead end of chain attachment



## Limit switches on all hoists:

- Both "direct control" and "low voltage control" hoists are equipped with limit switches as standard
- The limit switches are activated by a foam chain stop
- Prevents hoists from being overloaded when running against the stop
- Adding or positioning a foam chain stop to set a limit takes less than a minute



## The Unique ProLift Program

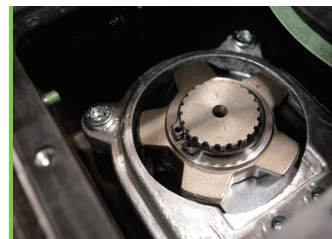
ProLift sustains a unique service programme on its complete hoist range, developed to offer maximum service and support for all hoist owners. This program encompasses:

- Installed network of trained and certified Service Points
- Lifetime warranty
- Individual identification - RFID tag on every hoist for easy, web-enabled, track and trace functions
- ProLift Service database – automatic reminders for re-certification
- Test certificates worldwide online available for owners of every hoist

LIFE TIME WARRANTY

## Standard Features of the Aetos Range:

- Available in a 250kg, 500kg and a 1000kg hoist body
- Fixed speed of 4m/min
- Available in "direct control" and "low voltage control" versions
- CEE form plug 16Amp 4pin and cable with strain relief for power connection
- CEE form plug 10Amp 4pin and cable with strain relief for low voltage control (optional)
- Equipped with limit switches on all hoists, both direct control and low voltage control
- End limit switches are activated by chain stop for 100% repeatable accuracy and easy of use
- External limit switches can be used for hoists used above a grid or false ceiling
- Multiple voltage motor, suitable for worldwide use
- Chain bags for 30mtr up to 80mtr available
- 5-pocket load wheel
- Zinc-plated load chain
- 100% sealed aluminium transmission house without oil plugs
- Standard swivel hook on hoist body and hoist chain
- IP 55 protection



## Easily Adaptable:

- Covers 180 degree rotatable for motor-up use
- Easy mounting of optional second brake
- Brake shaft and electronics prepared for second brake
- Output shaft prepared for rotary limit switch or encoder connection
- All hoists can be double reeved
- Swivelling chain bag bracket for motor-down and motor-up use
- Multiple voltage motor



## Prepared for D8+, Category A and BGV-C1 use:

- The clutch overload protection device is mounted outside the drive train
- Easy mounting of the second brake
- Proper load capacity marking supplied with second brake
- Limit switches available in direct control and low voltage control versions
- Prepared for double end limit switches
- Output shaft for rotary limit switch or encoder connection

## Design:

- Damage reducing housing design
- Hand grips integrated in covers
- Replaceable smooth bumpers on covers
- Through and through coloured plastic covers

## Available accessories:

- Flight cases
- Rain covers
- Lugs
- Double reeved hooks



## Easy to Service:

- Easy replaceable disentangle plate insert
- Easy access to chain guide and load wheel
- Easy mounting of optional second brake
- Easy replacement of electronic circuit board
- Covers equipped with safety steel and captive bolts
- All electronic components integrated on 1 circuit board
- Adjustable clutch